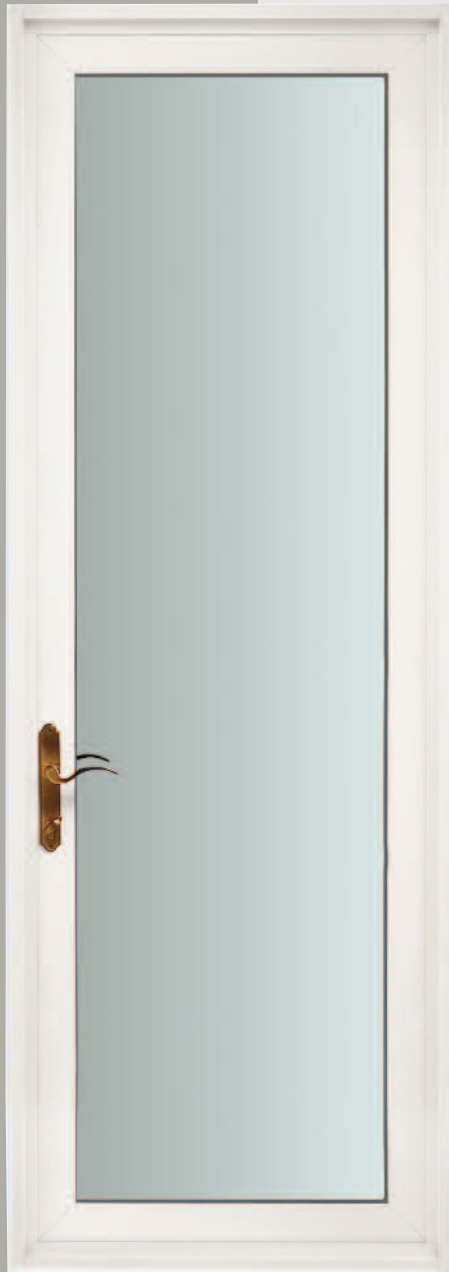


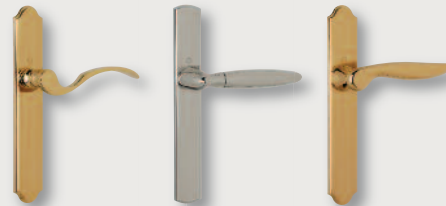
ENTRANCES

NEW SERIES D900 TERRACE DOOR IMPACT RESISTANT

U.S. ALUMINUM



- 1" x 4-1/2" (25 x 114 mm) Framing
- Accepts 1" (25 mm) Insulating Laminated Glass
- Florida Product Approval FL21167.3 for Use in High Velocity Hurricane Zones
- Large and Small Missile Impact and Cycling
- Design Pressures Up to +65/-65 psf
- 15 psf Static Water Resistance
- Thermally Broken
- Five-Point Locking Device
- Four Each Five-Knuckle Hinges With Non-Removable Stainless Steel Pins
- Available in Painted or Anodized Finishes



- Three Lever Handle Styles With Seven Finish Options

The **Series D900 Impact Resistant Terrace Door** is a High Performance Hurricane Resistant swinging door ideal for hotels, lofts, condominiums, and high-rise apartments. The Terrace Door will withstand heavy traffic and the worst of weather conditions while maintaining its elegant styling.

The 2-1/4" (57 mm) thick door with a 1" x 4-1/2" (25 x 114 mm) frame features double polyamide glass reinforced strips providing superior interior to exterior thermal separation. For maximum security, **The Series D900 Impact Resistant Terrace Door** features a five-point locking device, plus four each five-knuckle hinges with non-removable stainless steel pins.

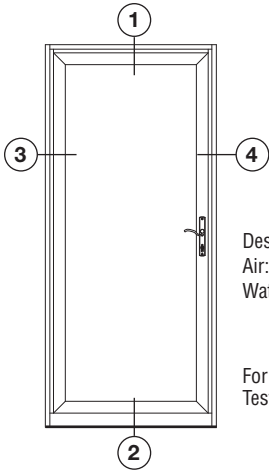


The **NEW CRL Baywood™ Horizontal Retractable Screen System** is now available for use with CRL-U.S. Aluminum Series D900 Impact Resistant Terrace Doors, all CRL Monterey Bi-Folding Doors, or just about any opening you may have.

Baywood Screens are manufactured to size and ready to install, no cutting required. They easily mount to the inside jamb of the opening, or if tight on space, a face mount frame is also available. The matching finish bottom guide adheres to most floors, including rough tile and hardwood. The pleated screen is durable, yet sheer enough to allow excellent visibility.

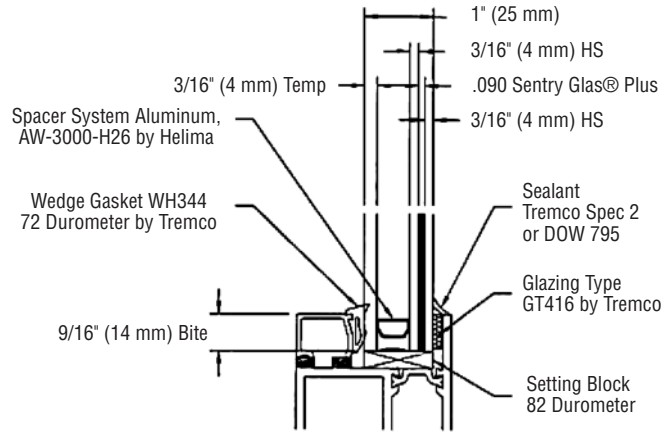
SERIES D900 IMPACT RESISTANT TERRACE DOOR TYPICAL DETAILS

TYPICAL ELEVATION

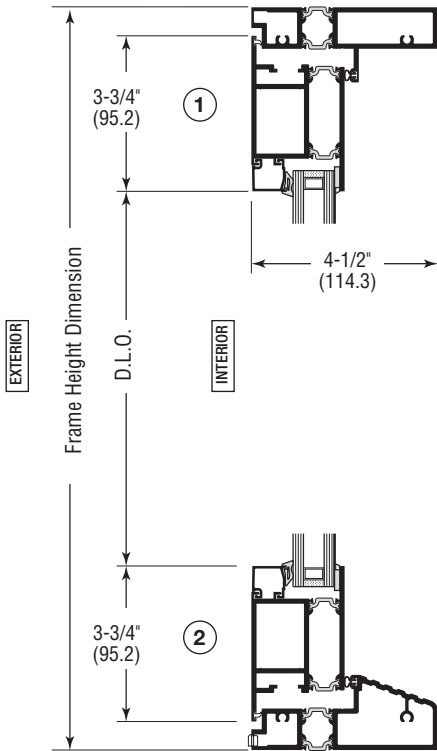


Design Pressure Up To +65/-65 psf
Air: < .1 cfm/sf @ 6.24 psf
Water: 15 psf

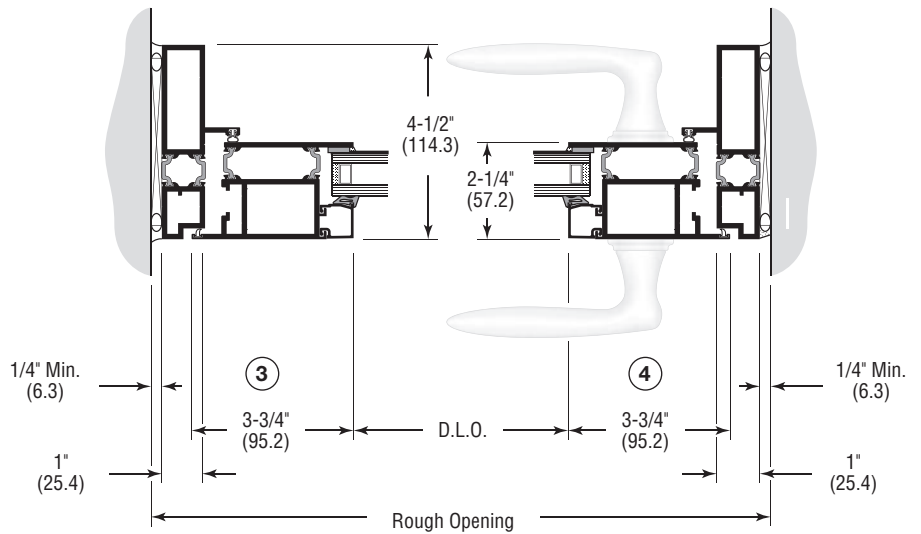
For Specifications, Details, and Testing Data go to usalum.com



FLORIDA PRODUCT APPROVAL
GLASS MAKE-UP (NOT INCLUDED)



(OUT-SWING DETAILS SHOWN)



NOT TO SCALE

AVDB4282 01.18.17