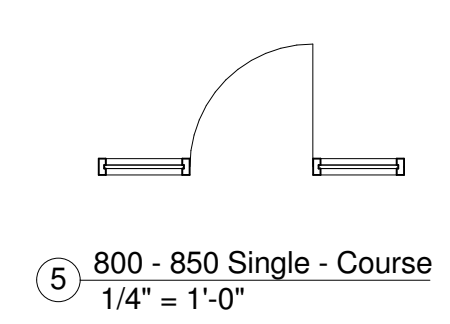
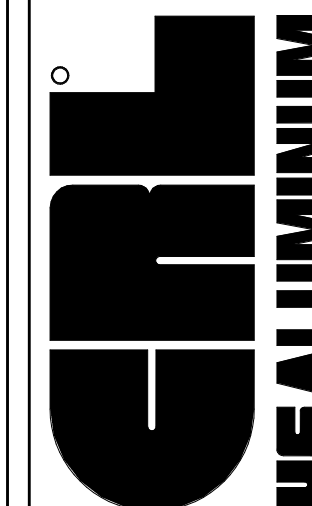
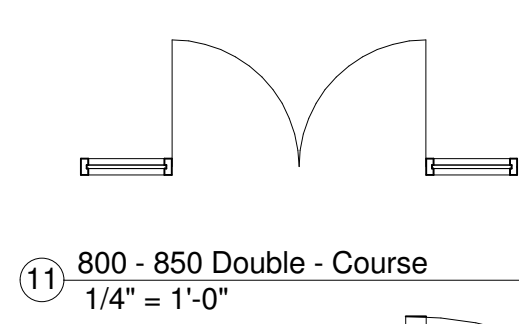


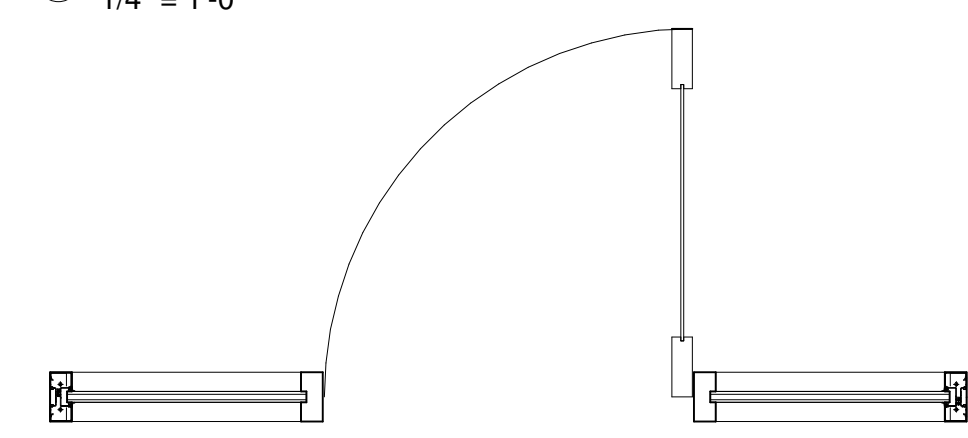
Revisions By:



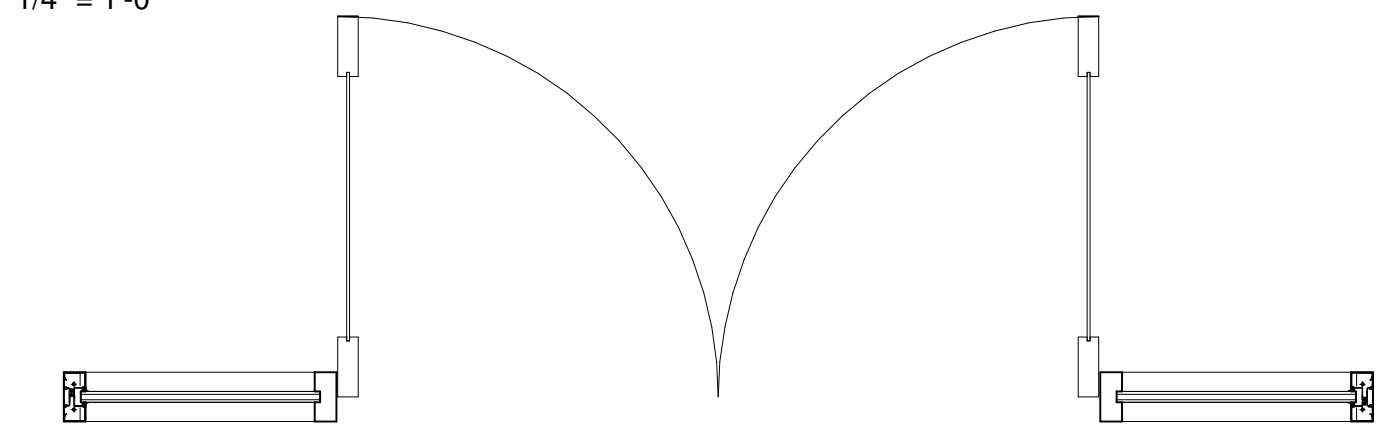
5 - 800 - 850 Single - Course
1/4" = 1'-0"



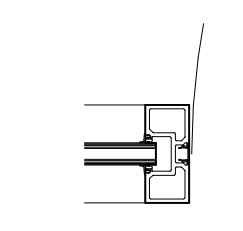
11 - 800 - 850 Double - Course
1/4" = 1'-0"



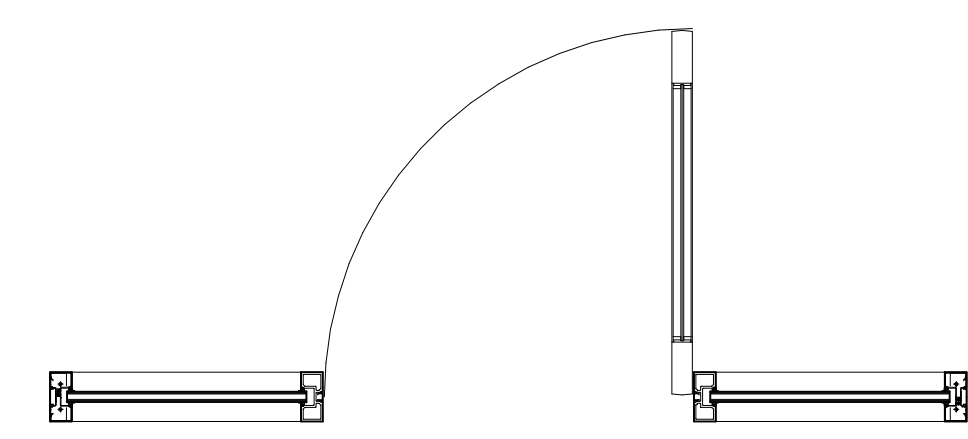
4 - 800 - 850 Single - Medium
3/4" = 1'-0"



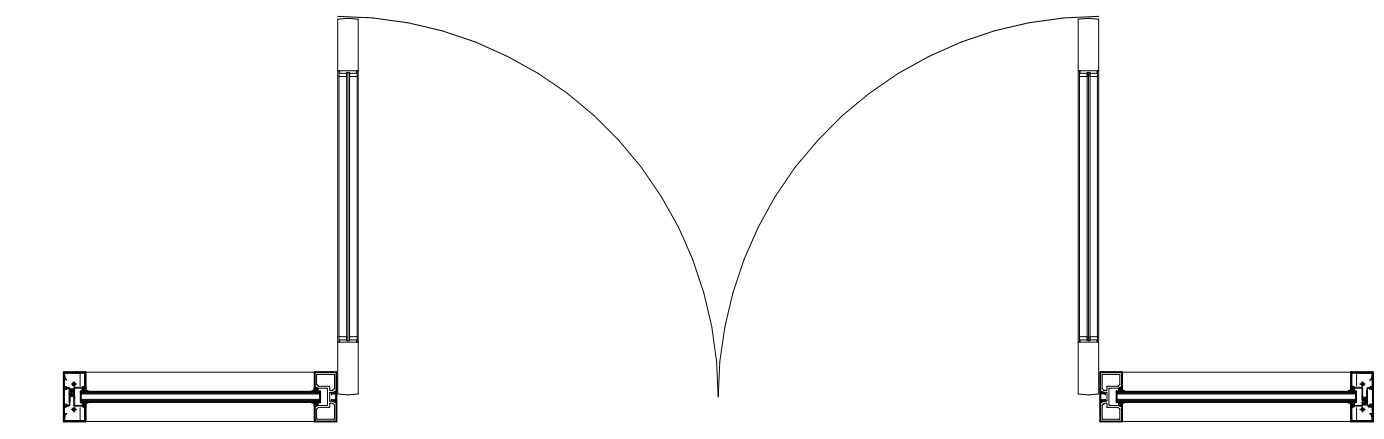
10 - 800 - 850 Double - Medium
3/4" = 1'-0"



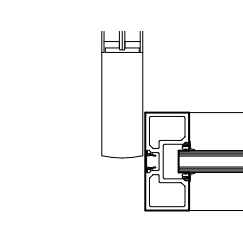
6 - 800 - 850 Jamb
1 1/2" = 1'-0"



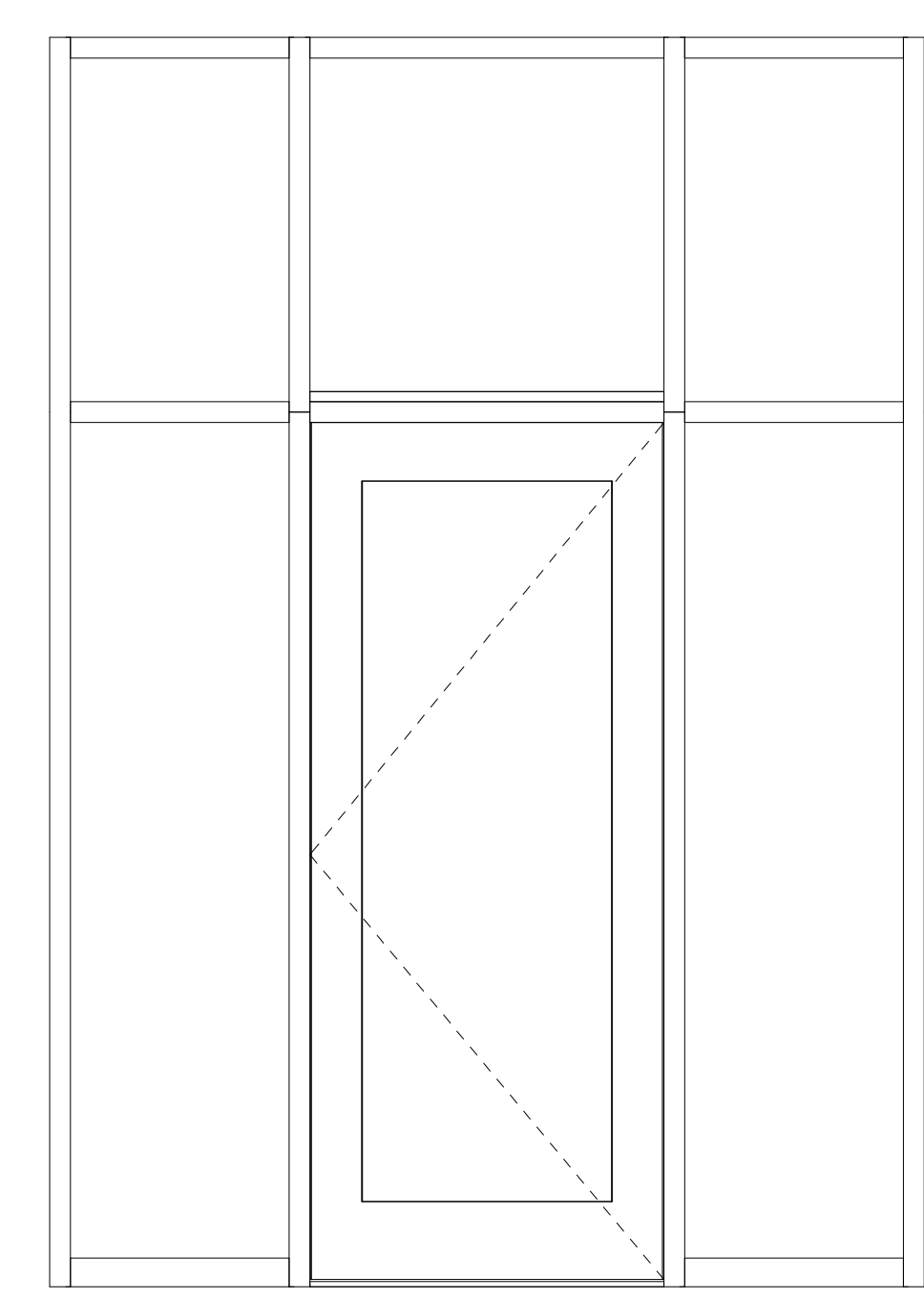
3 - 800 - 850 Single - Fine
3/4" = 1'-0"



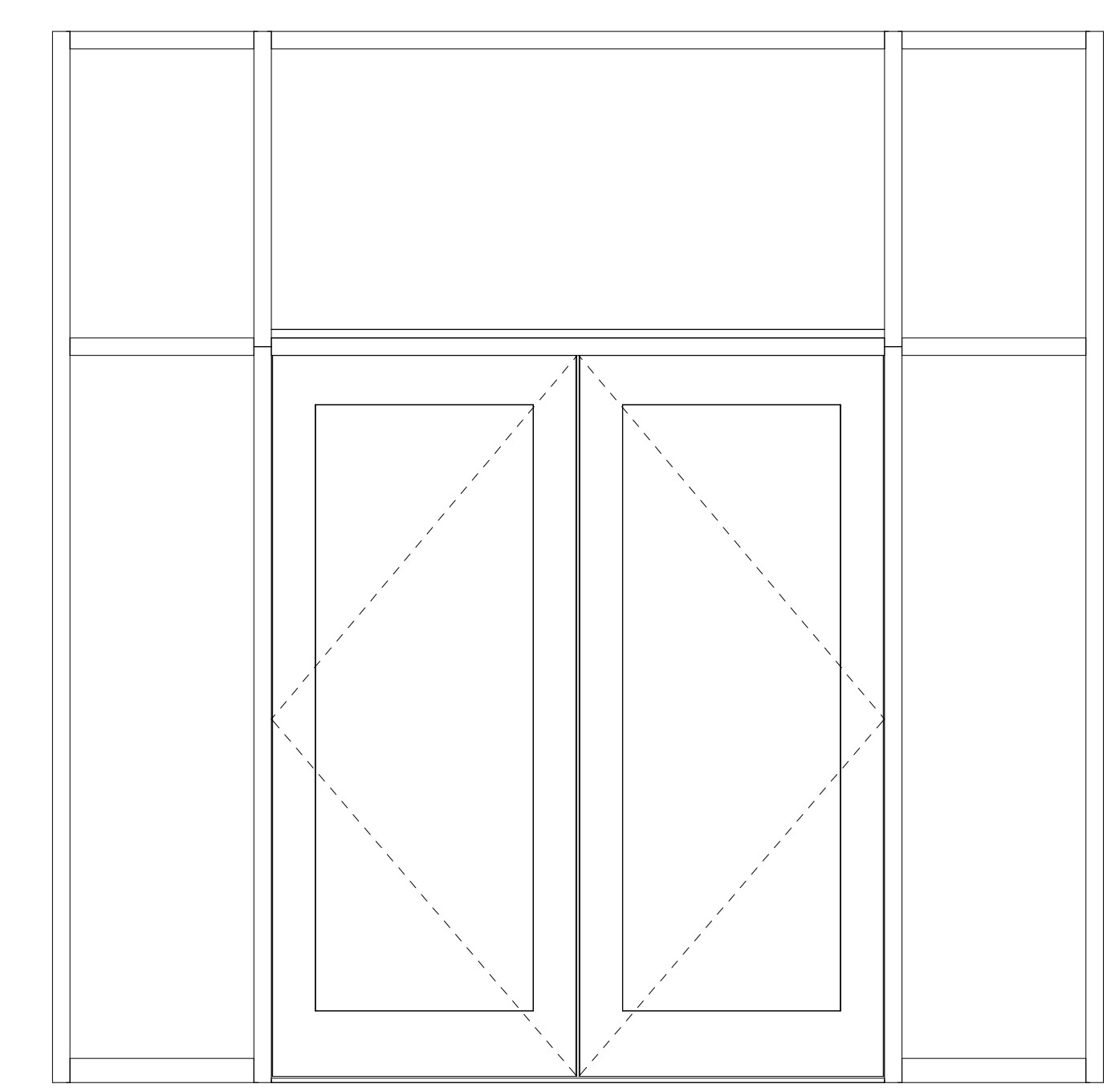
9 - 800 - 850 Double - Fine
3/4" = 1'-0"



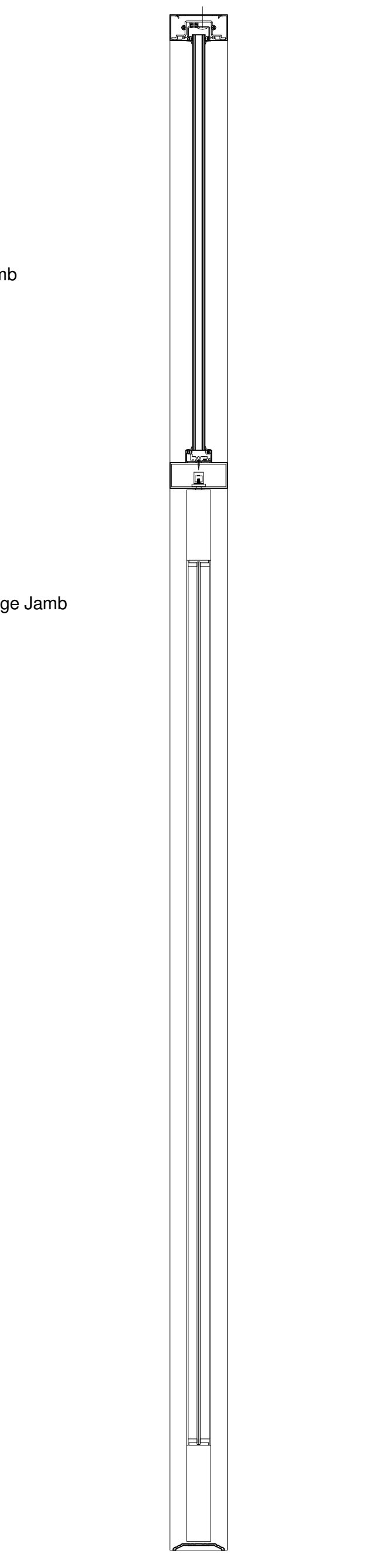
7 - 800 - 850 Hinge Jamb
1 1/2" = 1'-0"



1 - 800 - 850 Single Elevation
3/4" = 1'-0"



8 - 800 - 850 Double Elevation
3/4" = 1'-0"



2 - 800 - 850 Section
1 1/2" = 1'-0"

Description

800-850
CURTAIN DOOR

Drawn by:

Date:

Scale:

File name:

Sheet