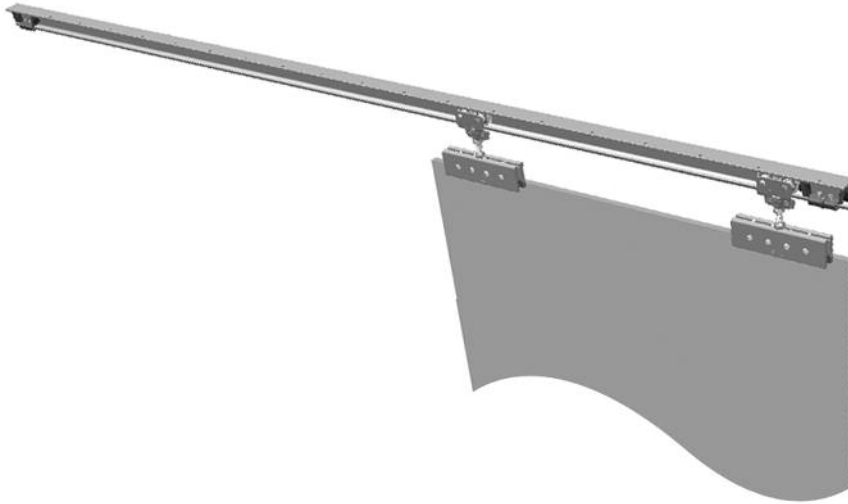


C.R. LAURENCE CO., INC.

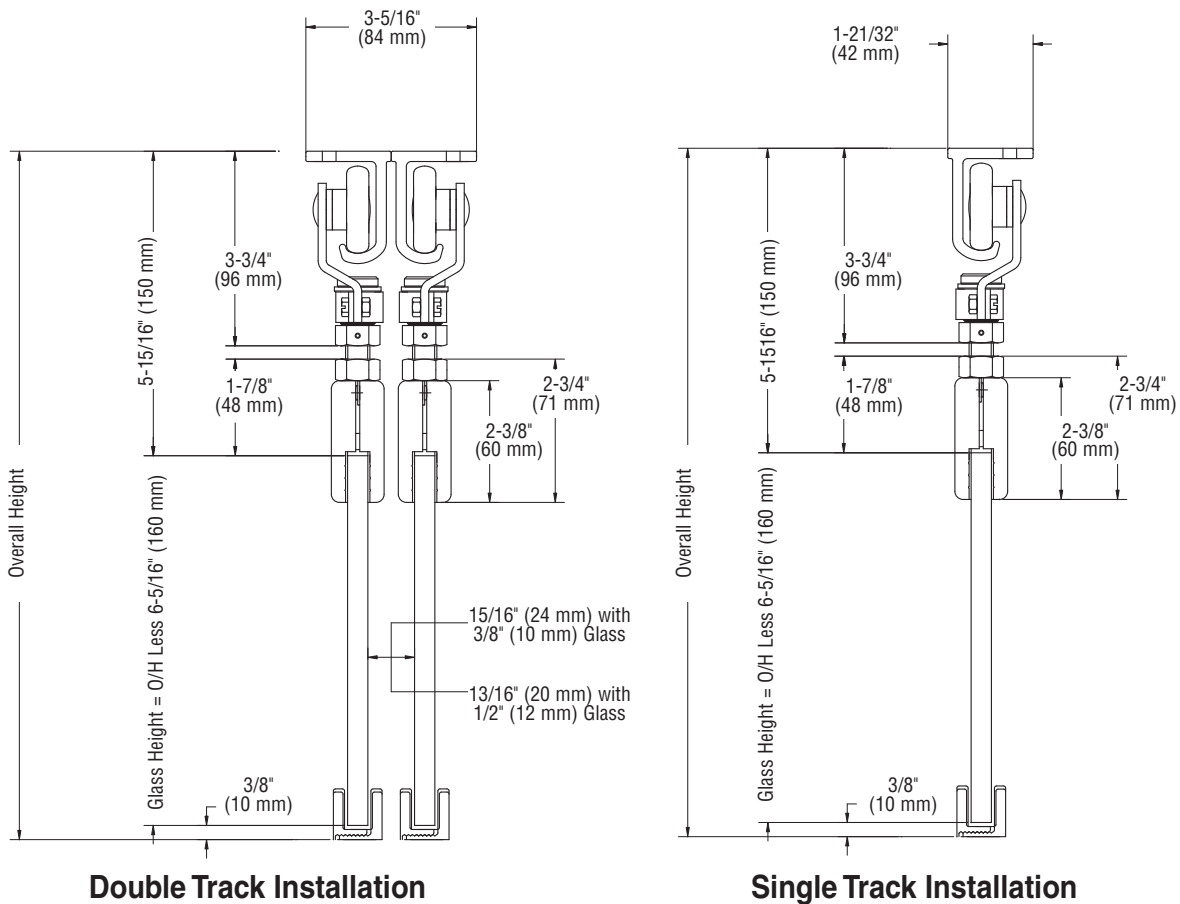
CRL EZ-SLIDE 180 Installation Instructions

For additional assistance contact CRL Technical Sales at (800) 421-6144 in the U.S., (877) 421-6144 from Canada, or (323) 588-1281 International, and ask for Ext. 7700.

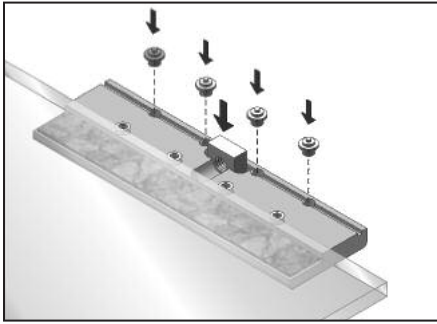


Glass Thickness: 3/8"- 1/2" (10-12 mm)

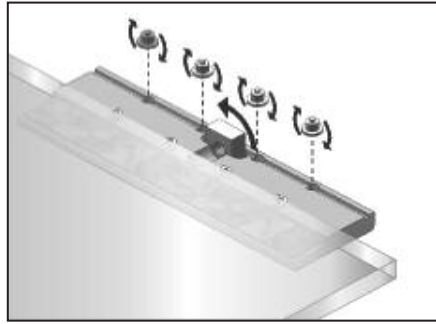
Maximum Panel Weight: 396 lbs. (180 kg)



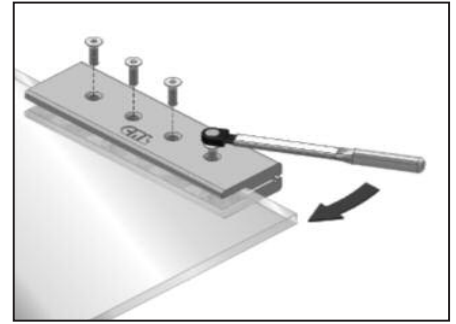
CRL EZ-SLIDE 180



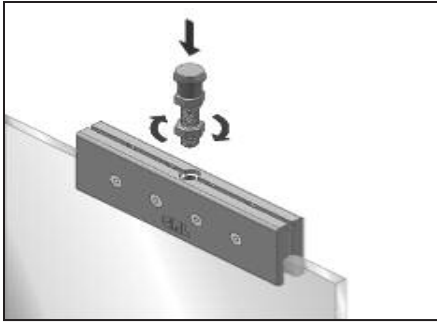
1. For 3/8" (10 mm) Glass, insert Spacer Pins and Regulator Bolt Nut with short ends up. Position Clamp Assembly along the top edge of the glass, a minimum of 1-3/4" (45 mm) from the vertical edge.



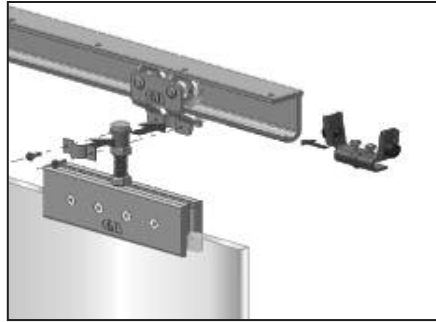
2. For 1/2" (12 mm) Glass, insert Spacer Pins and Regulator Bolt Nut with tall ends up. Position Clamp Assembly along the top edge of the glass, a minimum of 1-3/4" (45 mm) from the vertical edge.



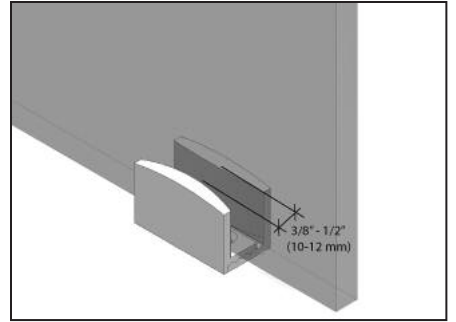
3. Attach second half of clamp with supplied flat head Allen screws. Tighten to recommended torque of 11 lbs./ft. (15 Nm). Repeat steps 1-3 for second Clamp Assembly.



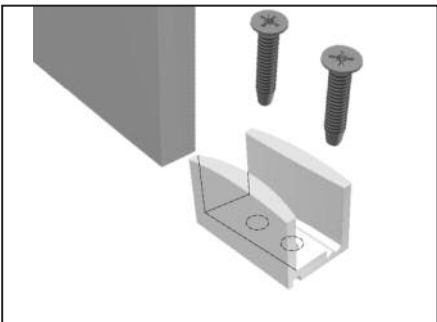
4. Screw in Regulator Bolts until they bottom out. This will allow for maximum clearance at the bottom of door, and makes hanging the door panel easy. Door alignment and clearance adjustments are shown later in Step 8.



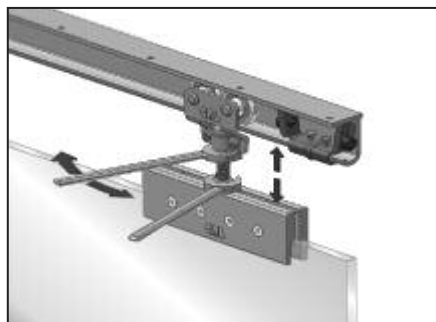
5. Hang Top Track plumb and level using appropriate fasteners (not included). Insert Rollers and Stops into Track. Attach Regulator Bolts to Rollers using Regulator Bolt Strap and Fasteners supplied with each Roller.



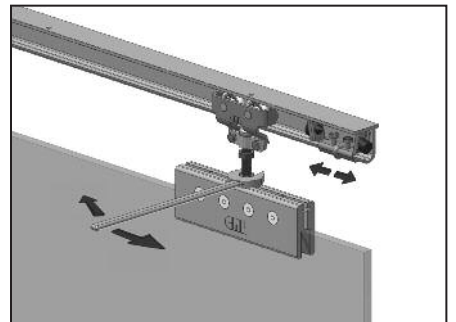
6. Install Floor Guide(s) just beyond the edge of the opening or center of the overlap. The Floor Guide must be adjusted to fit your glass thickness prior to securing it to the floor. Mark the centerline of door panel(s) and the Guide(s) on the floor.



7. If you are unable to slide the door panel out of the way, remove the door panel by removing the Regulator Bolt Strap. Secure Guide(s) to floor using supplied fasteners and re-attach door panel(s) as described in Step 5.



8. Adjust Door Panel to be plumb with jamb and to desired floor clearance by turning the Upper Adjusting Nut counterclockwise to lower the panel and clockwise to raise the panel.



9. Secure adjusted panel by tightening the Lower Adjusting Nut against the clamp assembly. Adjust Roller Stops and secure.