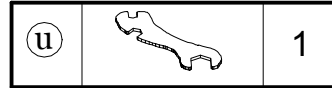
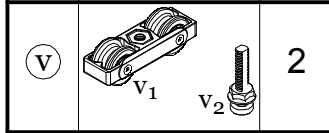
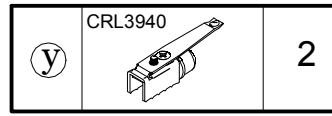
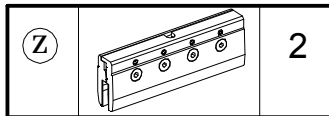
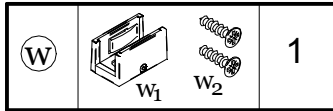
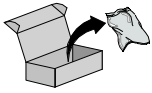


ASSEMBLY INSTRUCTIONS FOR:

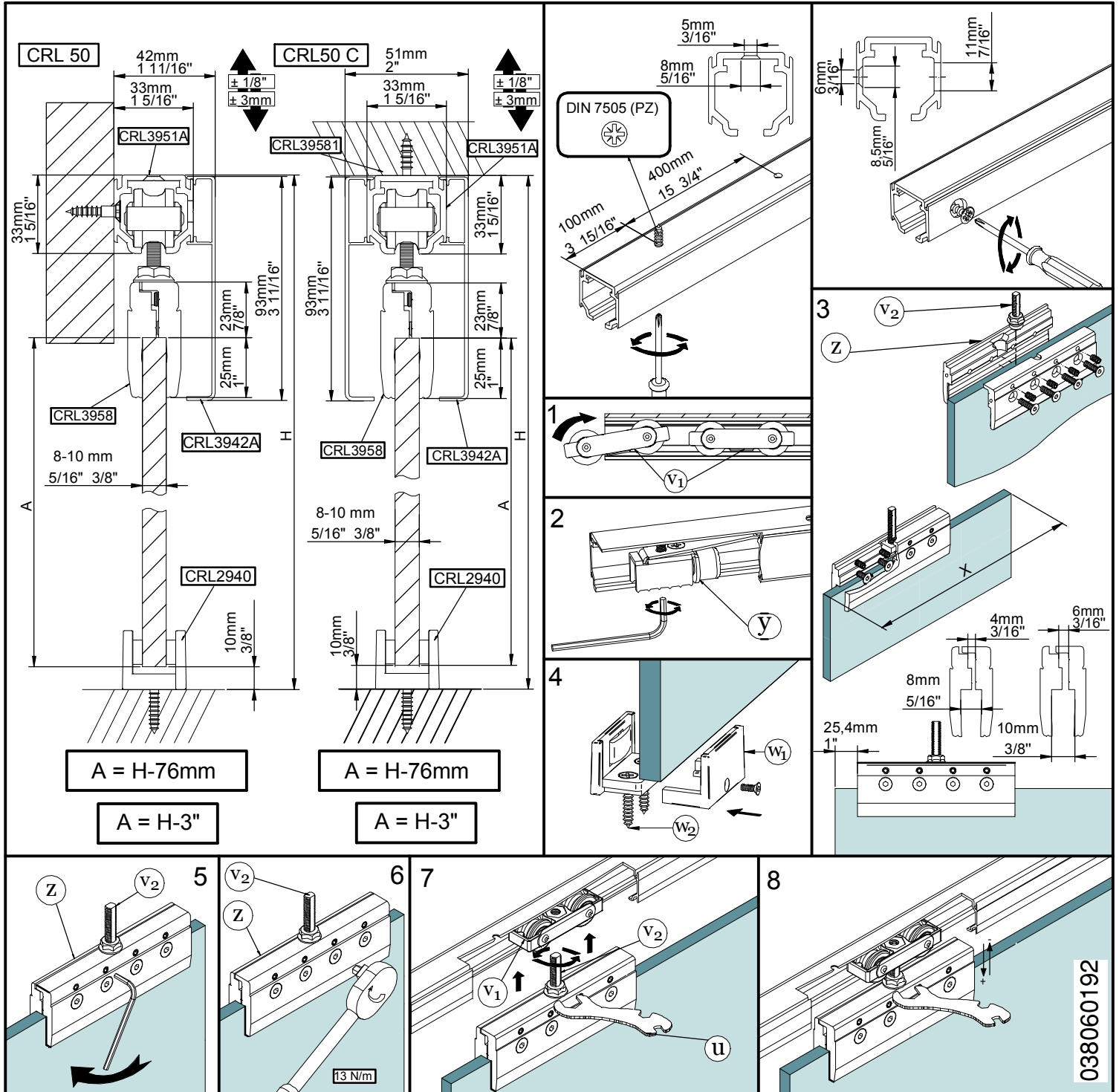
CRL 50 | CRL 501 | CRL 502 | CRL 50C | CRL 501C | CRL 502C | CRL 50D | CRL 501D

Content of the set
 Contenido del juego
 Contenu de l'ensemble

CRL2958



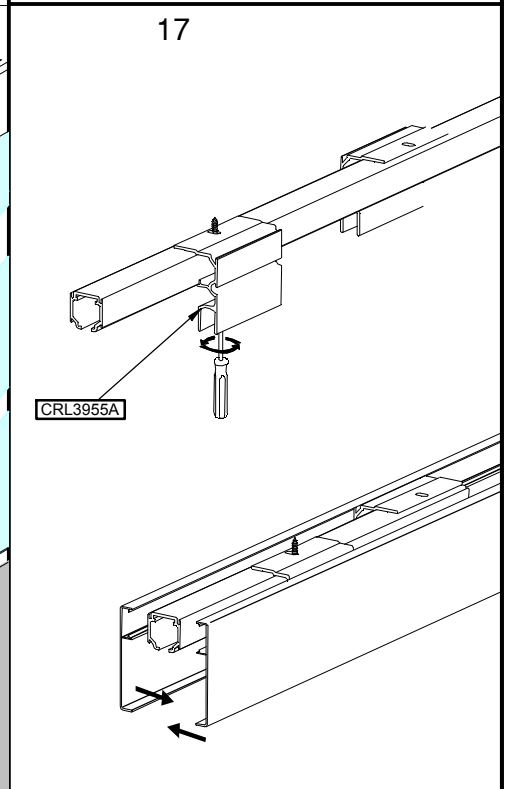
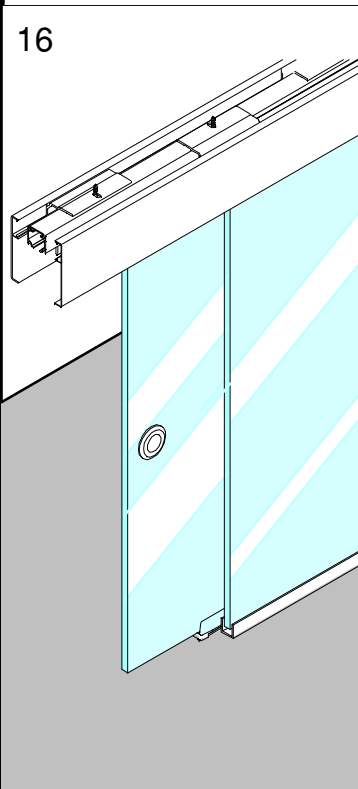
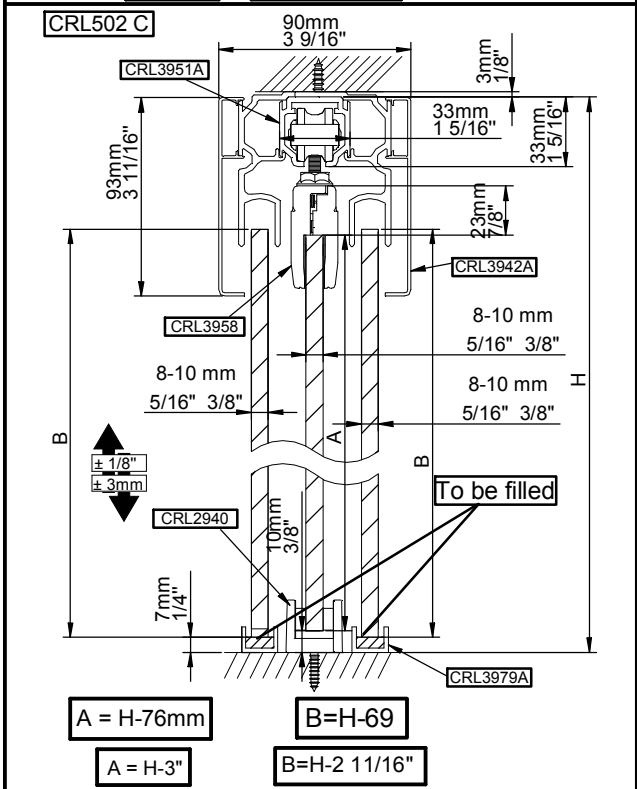
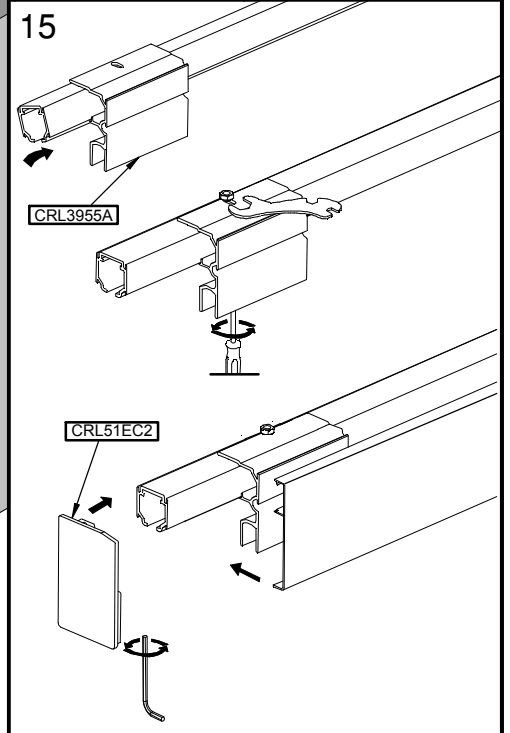
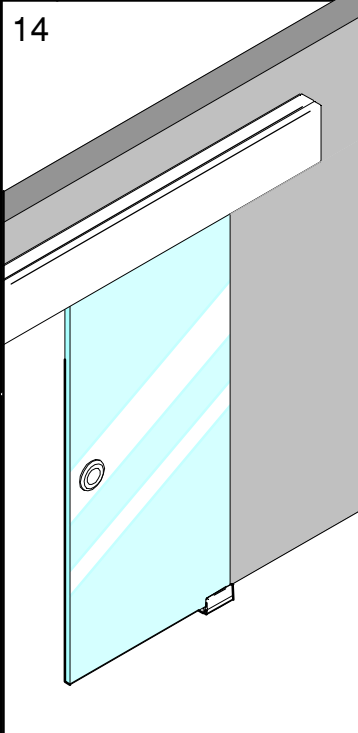
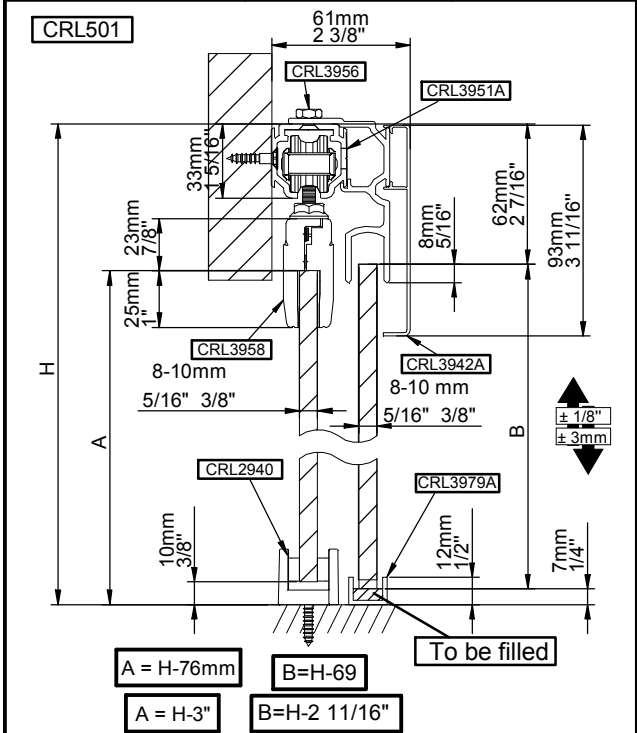
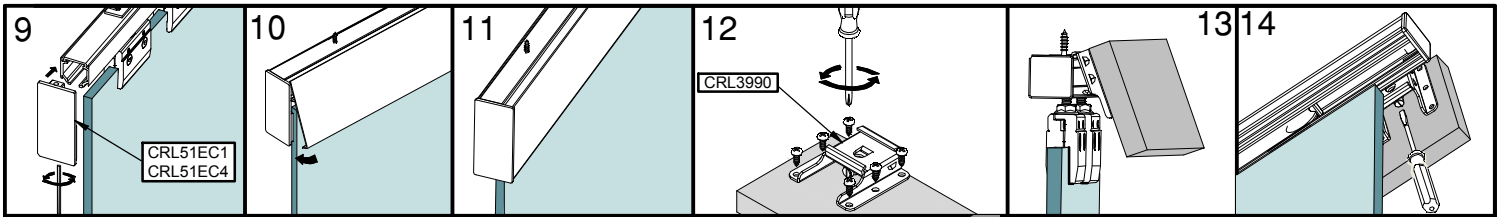
8-10 mm Glass
 5/16"-3/8" Glass



038060192

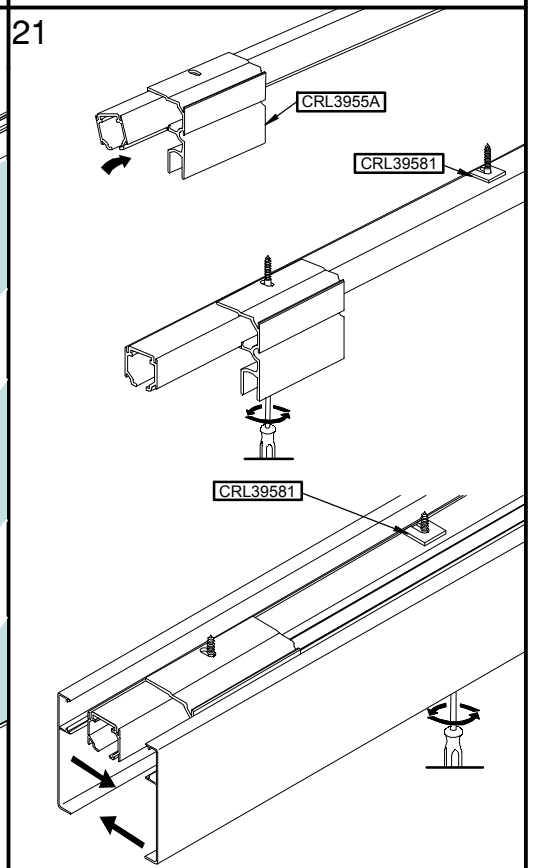
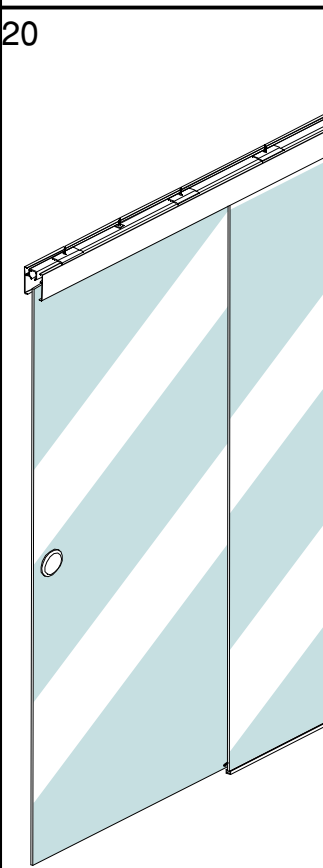
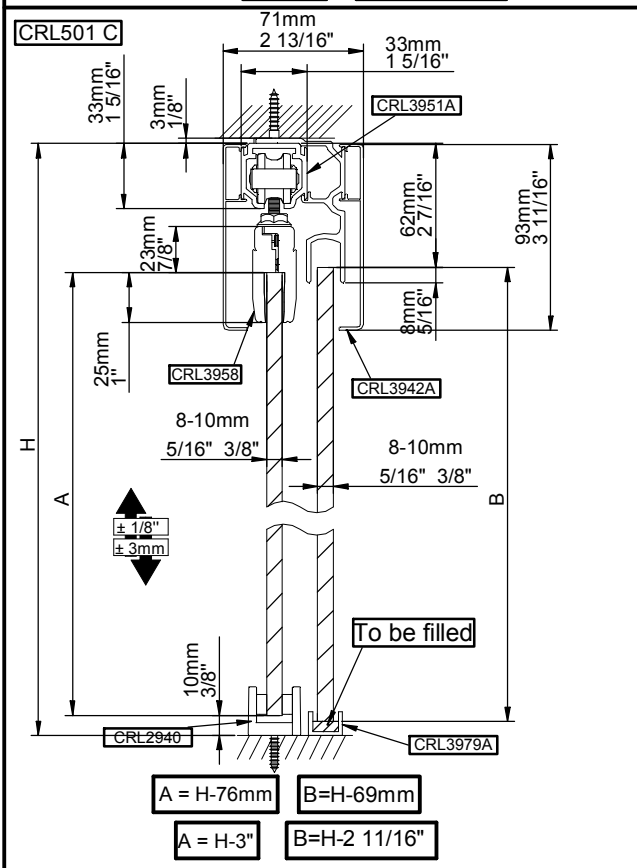
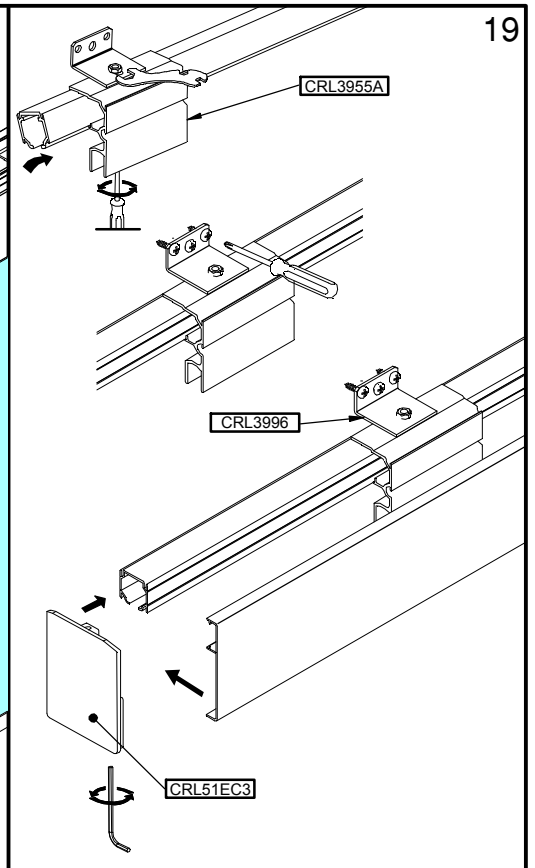
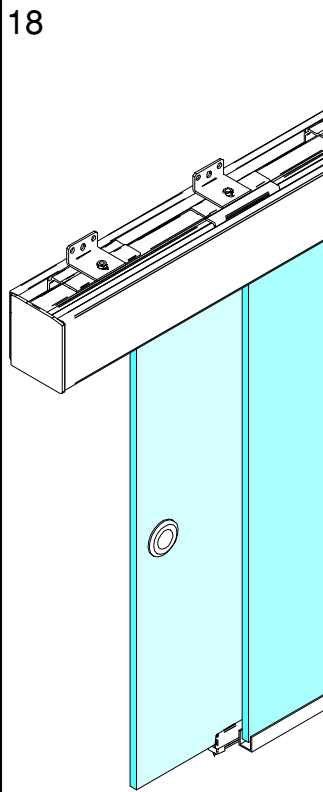
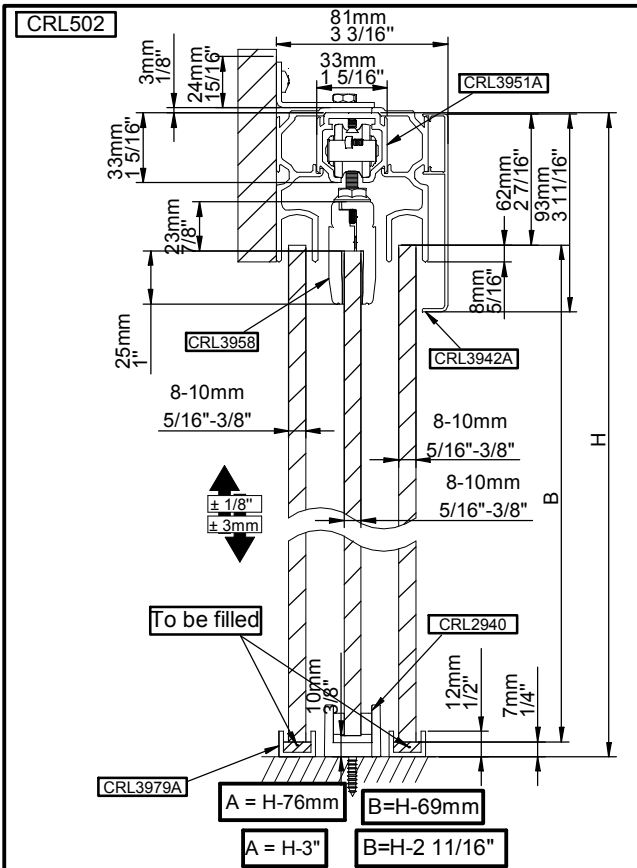
ASSEMBLY INSTRUCTIONS FOR:

CRL 50 | CRL 501 | CRL 502 | CRL 50C | CRL 501C | CRL 502C | CRL 50D | CRL 501D



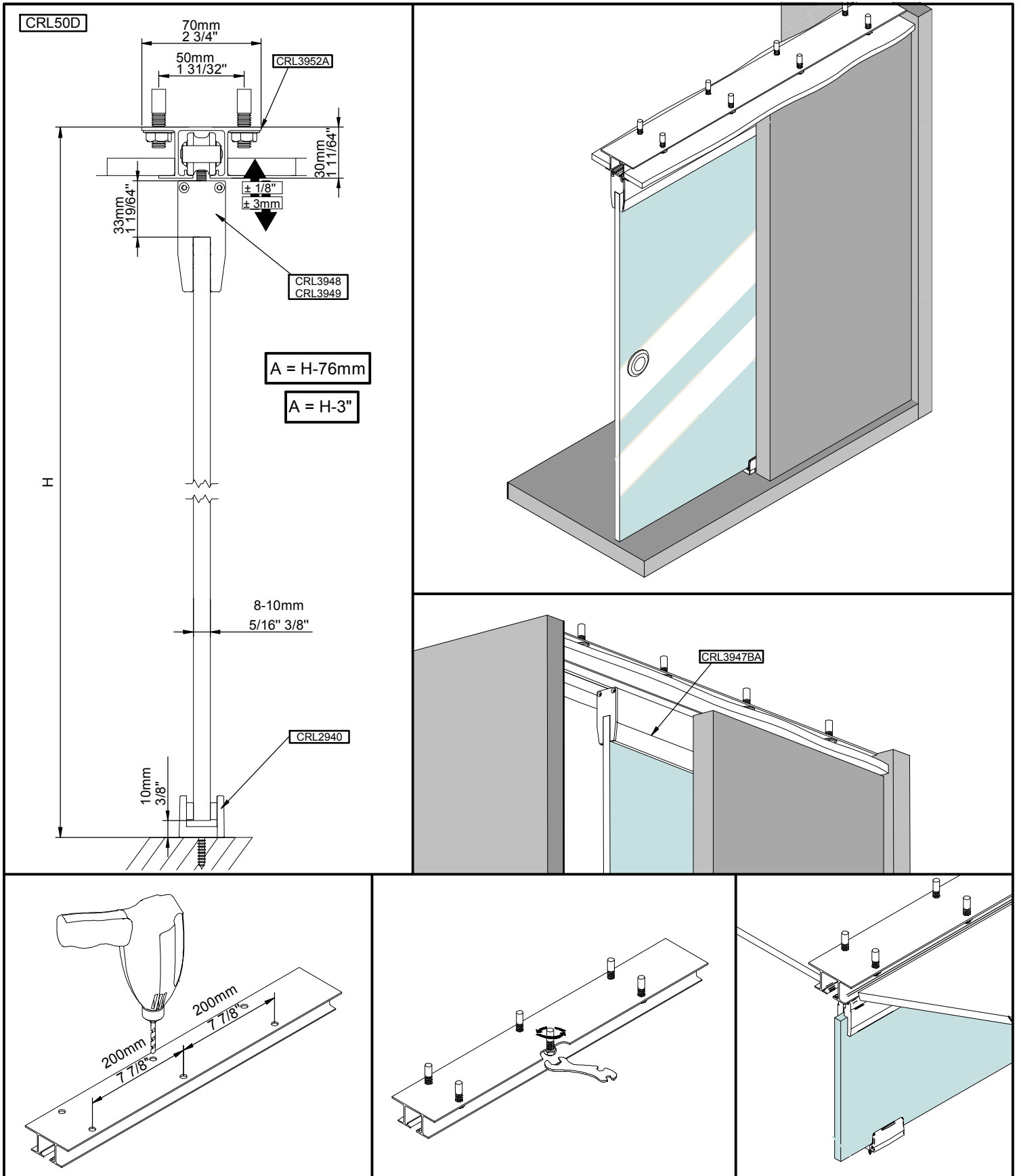
ASSEMBLY INSTRUCTIONS FOR:

CRL 50 | CRL 501 | CRL 502 | CRL 50C | CRL 501C | CRL 502C | CRL 50D | CRL 501D



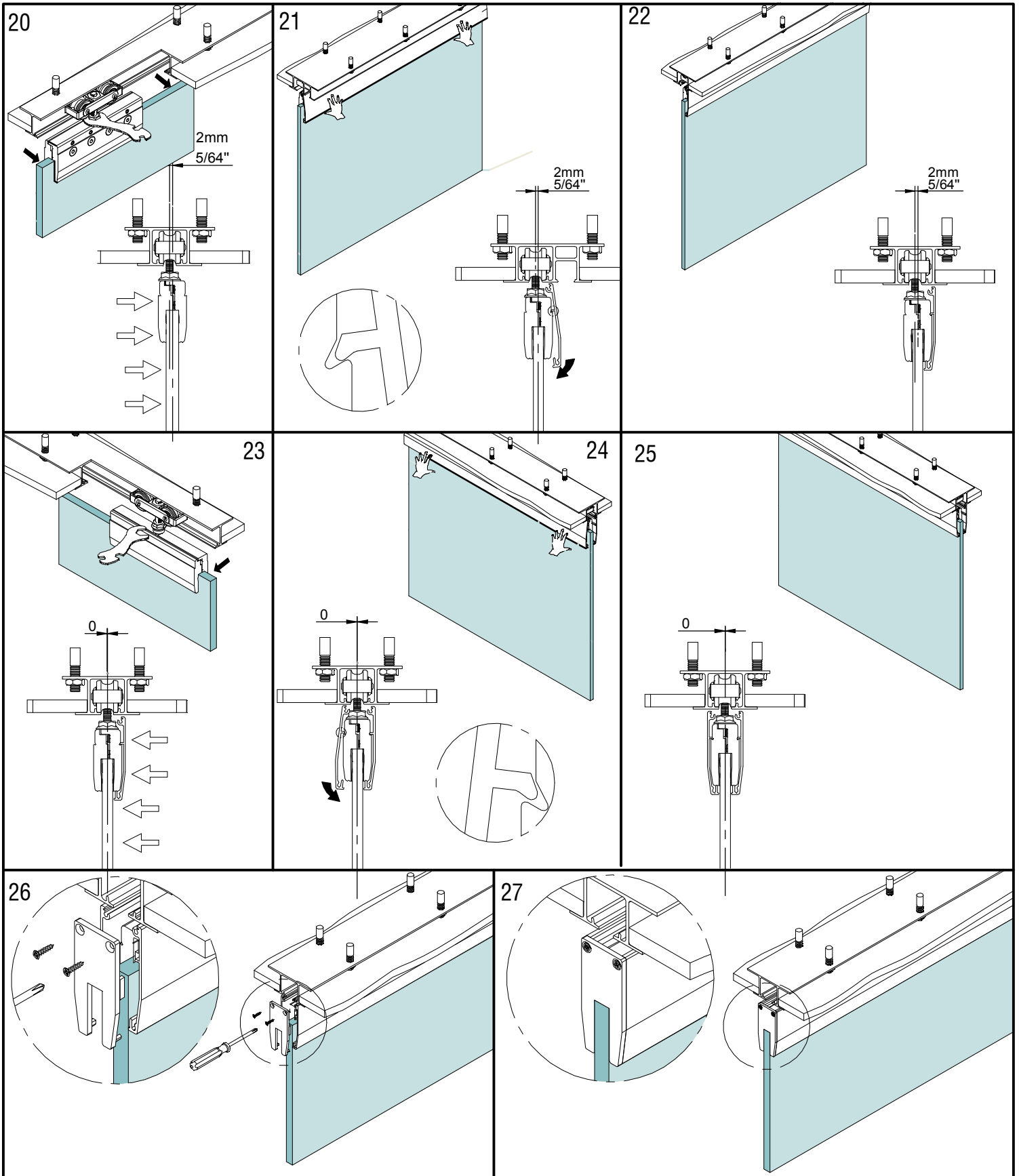
ASSEMBLY INSTRUCTIONS FOR:

CRL 50 | CRL 501 | CRL 502 | CRL 50C | CRL 501C | CRL 502C | CRL 50D | CRL 501D



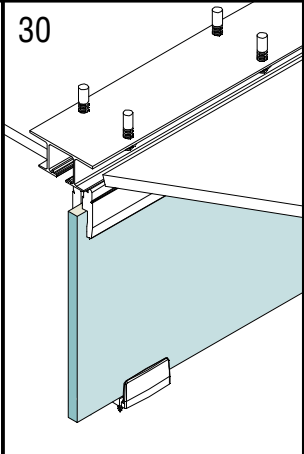
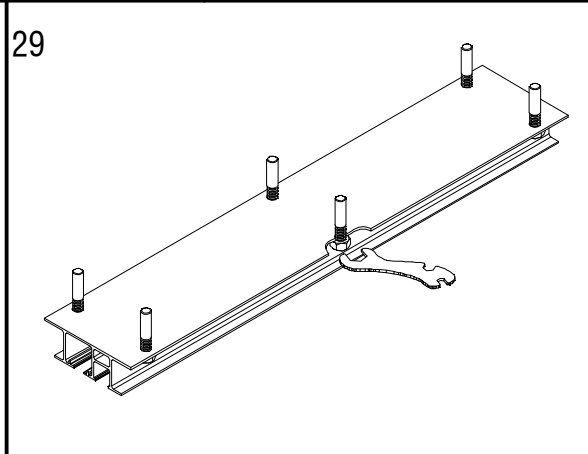
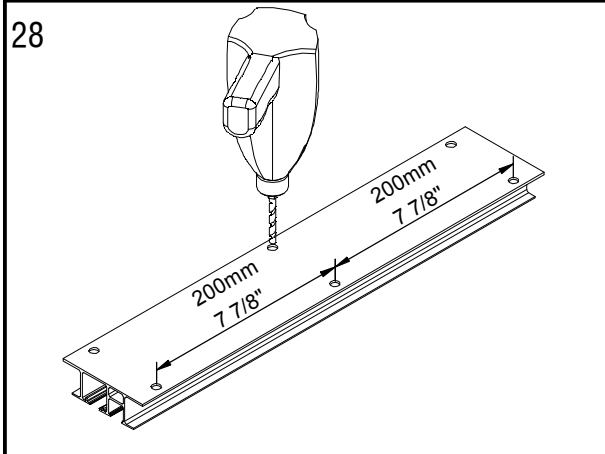
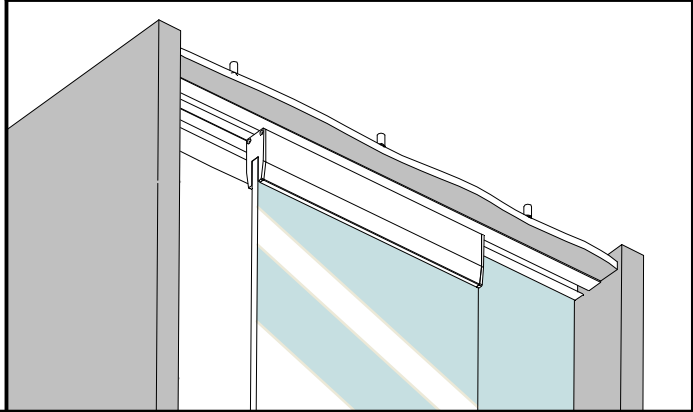
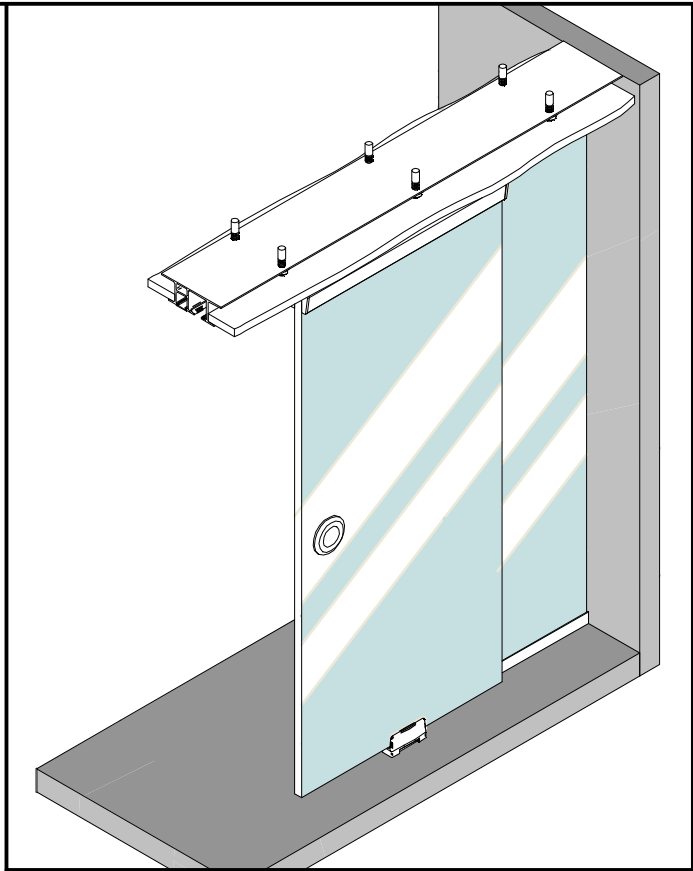
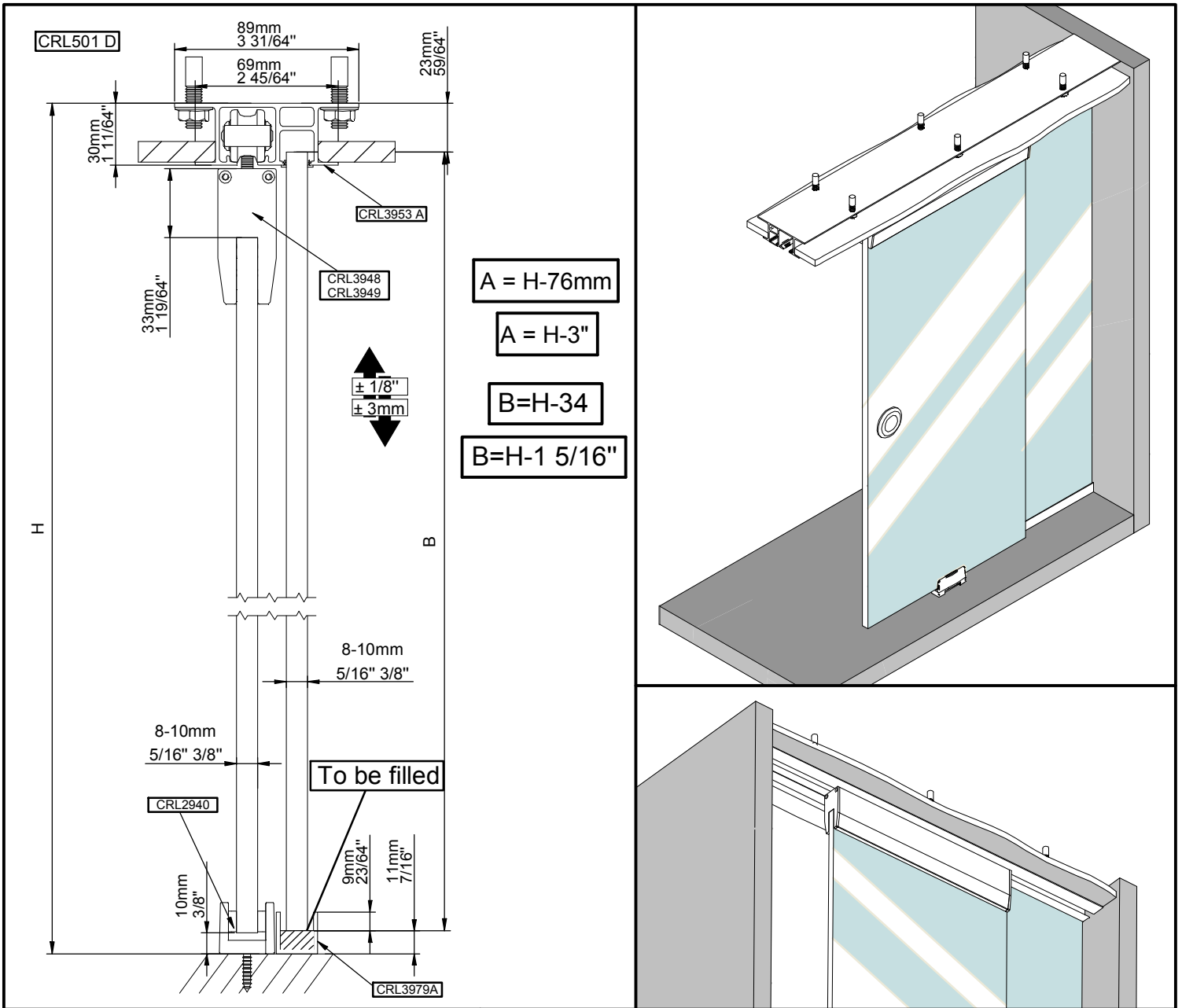
ASSEMBLY INSTRUCTIONS FOR:

CRL 50 | CRL 501 | CRL 502 | CRL 50C | CRL 501C | CRL 502C | CRL 50D | CRL 501D



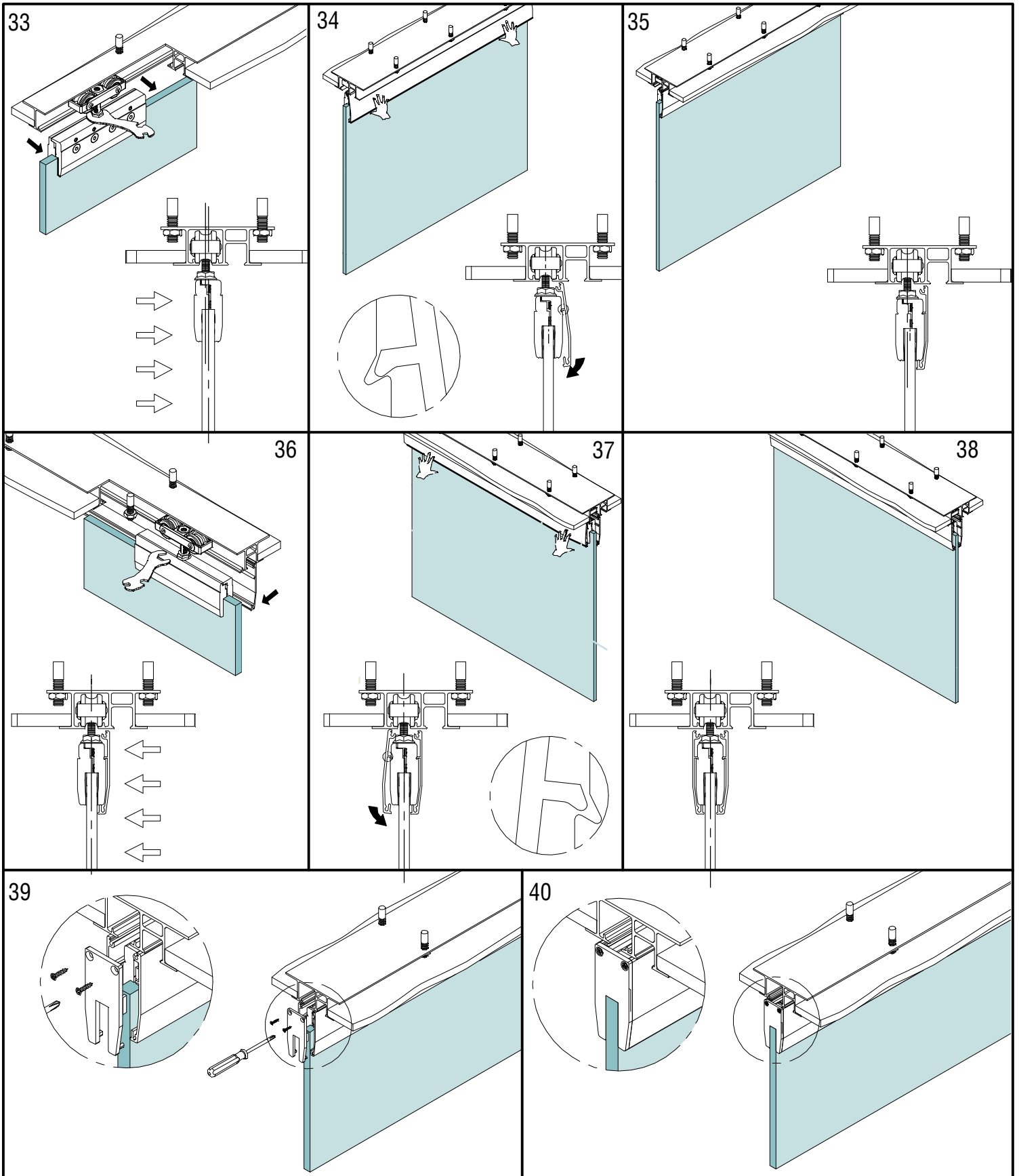
ASSEMBLY INSTRUCTIONS FOR:

CRL 50 | CRL 501 | CRL 502 | CRL 50C | CRL 501C | CRL 502C | CRL 50D | CRL 501D



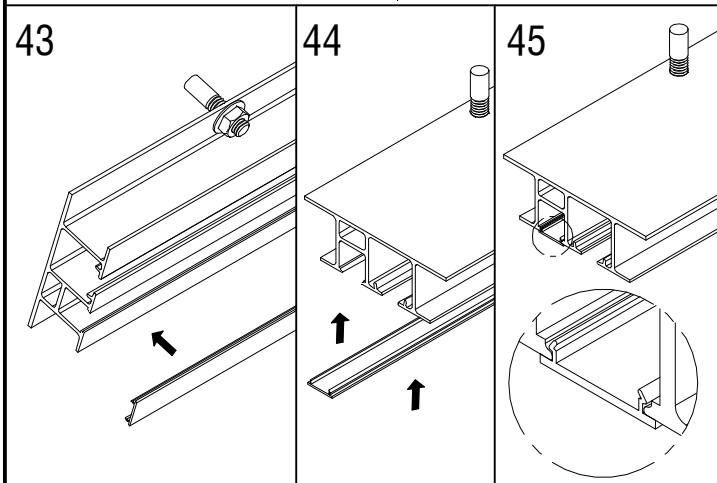
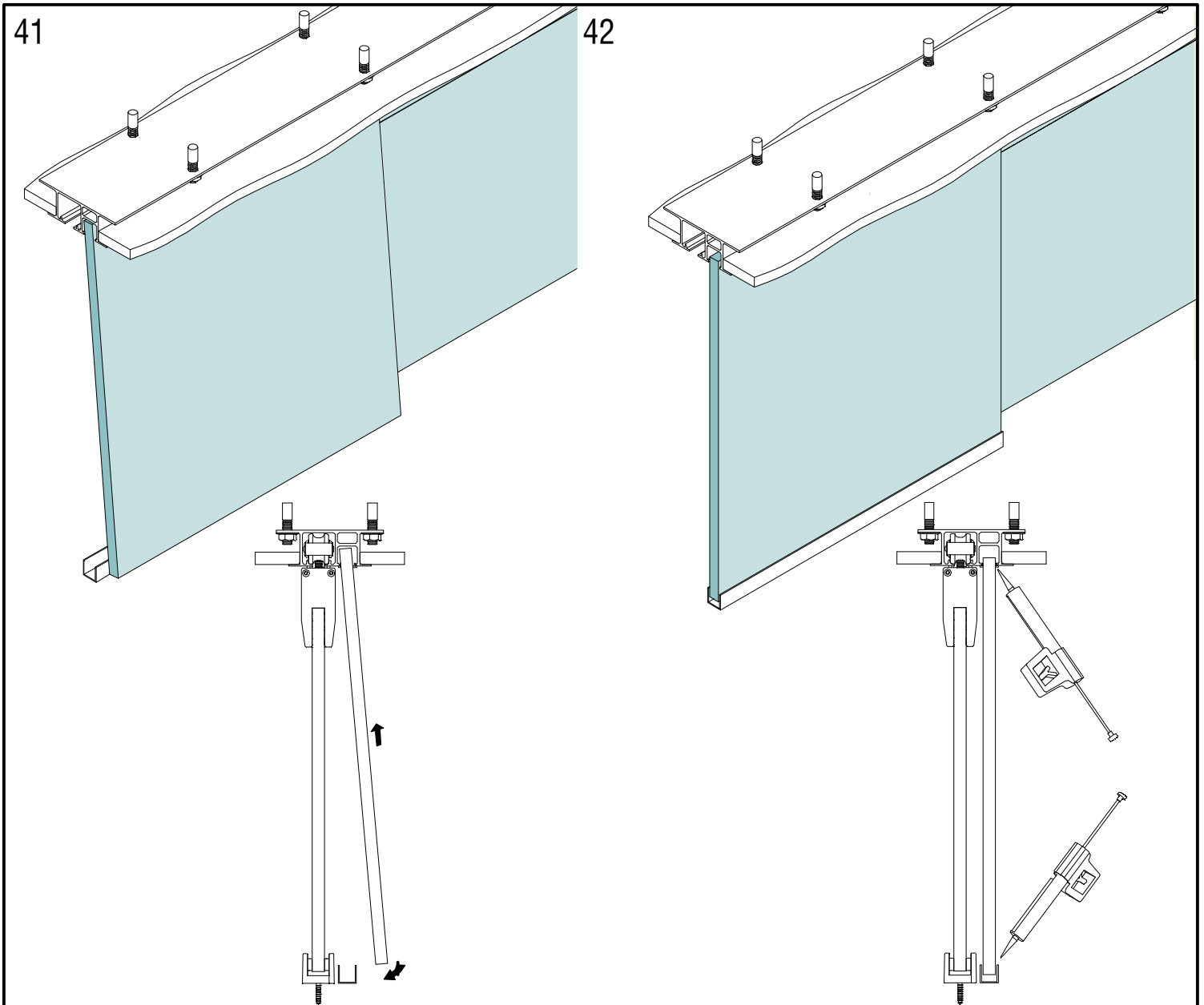
ASSEMBLY INSTRUCTIONS FOR:

CRL 50 | CRL 501 | CRL 502 | CRL 50C | CRL 501C | CRL 502C | CRL 50D | CRL 501D



ASSEMBLY INSTRUCTIONS FOR:

CRL 50 | CRL 501 | CRL 502 | CRL 50C | CRL 501C | CRL 502C | CRL 50D | CRL 501D



TO REMOVE THE COVERS

- 1-REMOVE PLASTIC SIDE COVER
- 2-PLACE HOLD YOUR HAND BETWEEN THE PADS AND THE END OF THIS CLIP AND PULL. ONCE AGAIN THE SAME PROCESS DESCLIPADO THE OPPOSITE END.
- 3 - FINALLY PULL THE TWO SIDES PROPORTIONALLY.

PARA DESMONTAR LAS TAPAS

- 1-DESMONTAR TAPA PLASTICO LATERAL
- 2-COLOCAR LA MANO AGARRANDO LA TAPETA ENTRE FINAL DE ESTA Y LA PINZA Y TIRAR. UNA VEZ DESCLIPADO REPETIR EL MISMO PROCESO POR EL EXTREMO CONTRARIO.
- 3- FINALMENTE TIRAR DE LOS DOS LADOS PROPORCIONALMENTE.

POUR DÉ MONTER LES COUVERTURES

- 1-DÉMONTER LA COUVERTURE MATIÈRE PLSTIQUE DU COTE
- 2-PLACER LA MAIN EN SAISSANT LA TAPETA ENTRE FIN DU CE ET COLLIER ET LA JETER. UNE FOIS DESCLIPADO RÉPÉTER LE MÊME PROCESSUS PAR L'EXTRÉMITÉ CONTRAIRE. 3-FINALMENTE JETER DE D'UN CÔTÉ ET D'UN AUTRE PROPORTIONNELLEMENT.
- 3- JETER FINALEMENT DES DEUX CÔTÉS PROPORCIONNELLEMENT.

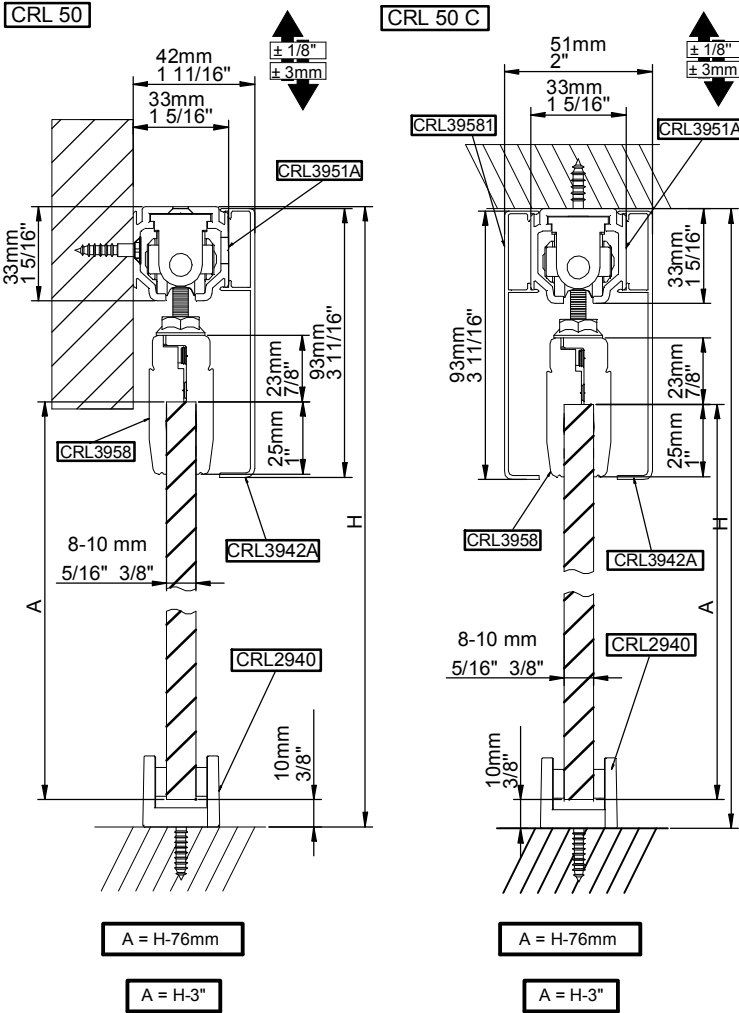


ASSEMBLY INSTRUCTIONS FOR: CRL 51 SBK (SOFTBRAKE MOUNT OPTION)

Softbrake is not compatible with CRL50D and CRL501D

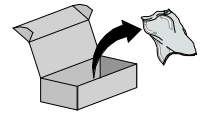
Installation variants-Softbrake

Variantes de instalación-Softbrake
Variants d'installation -Softbrake



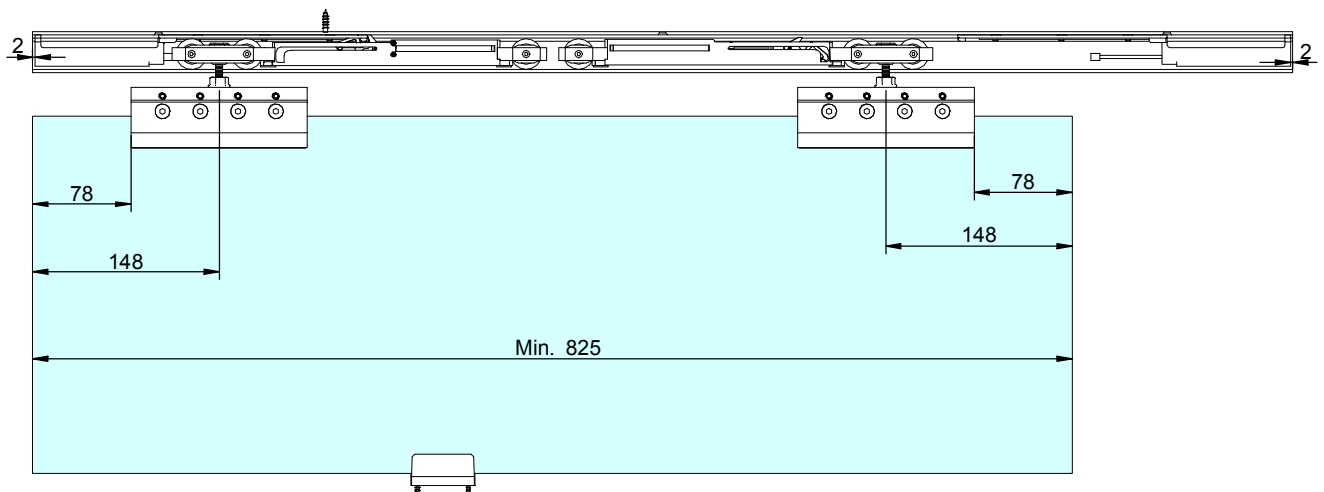
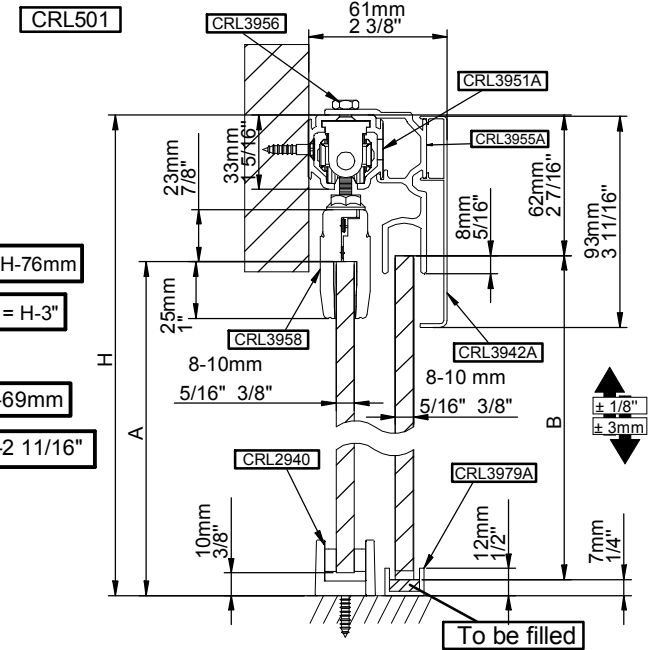
Content of the set

Contenido del juego
Contenu de l'ensemble

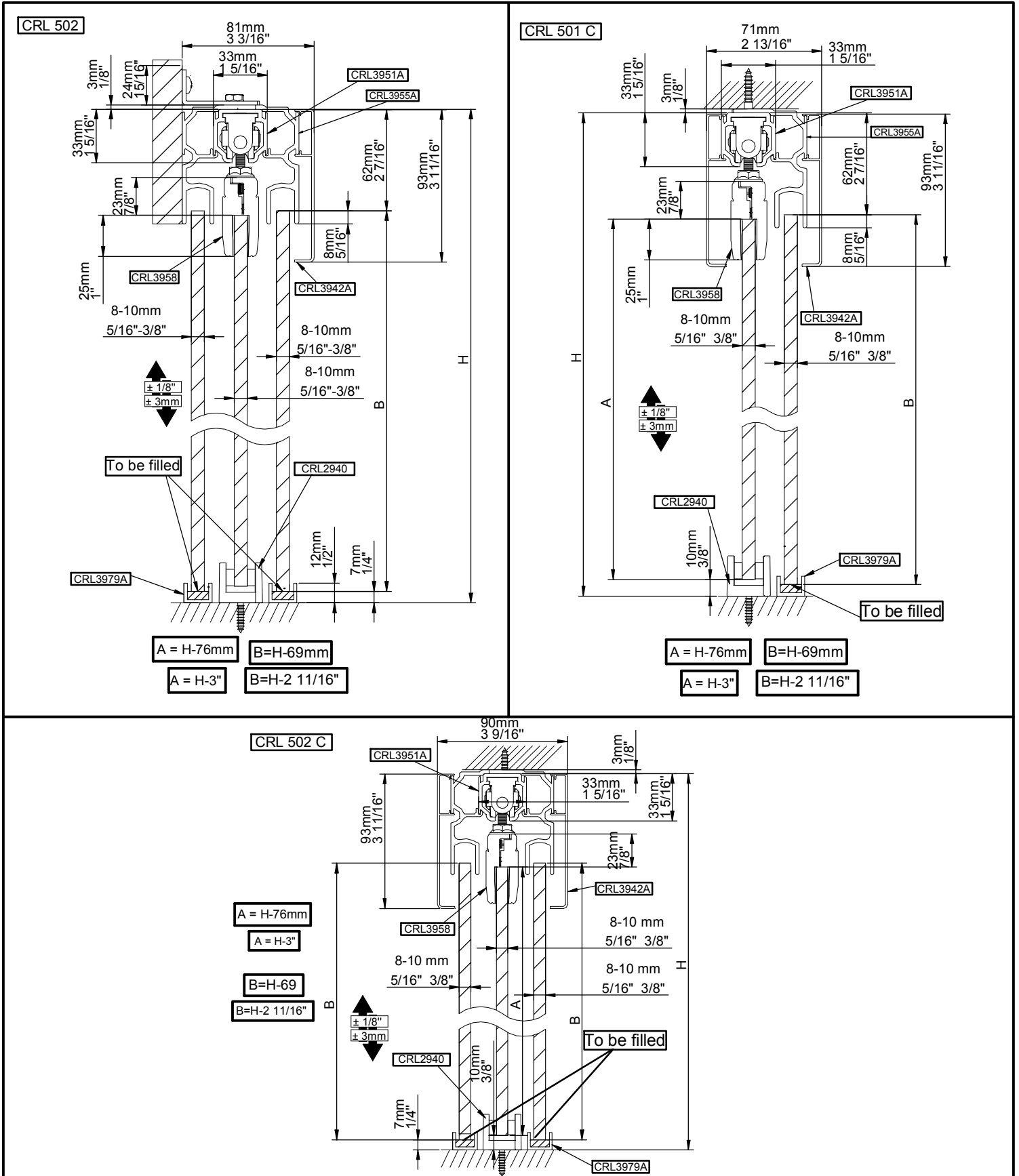


CRL51SBK

(t)		1
(s)		1



ASSEMBLY INSTRUCTIONS FOR:
CRL 51 SBK (SOFTBRAKE MOUNT OPTION)



AVDB3131_02/20

ASSEMBLY INSTRUCTIONS FOR:
CRL 51 SBK (SOFTBRAKE MOUNT OPTION)

