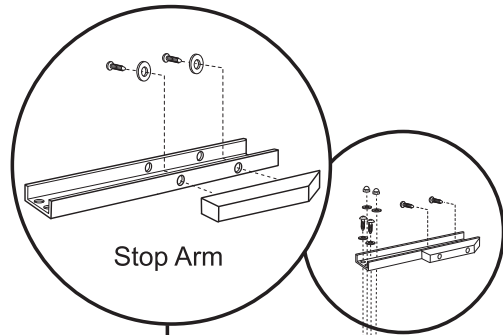
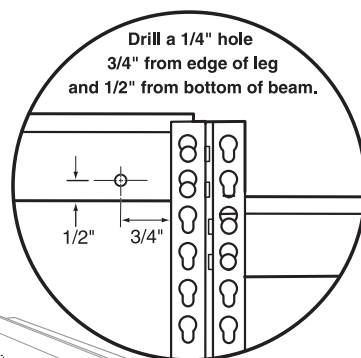


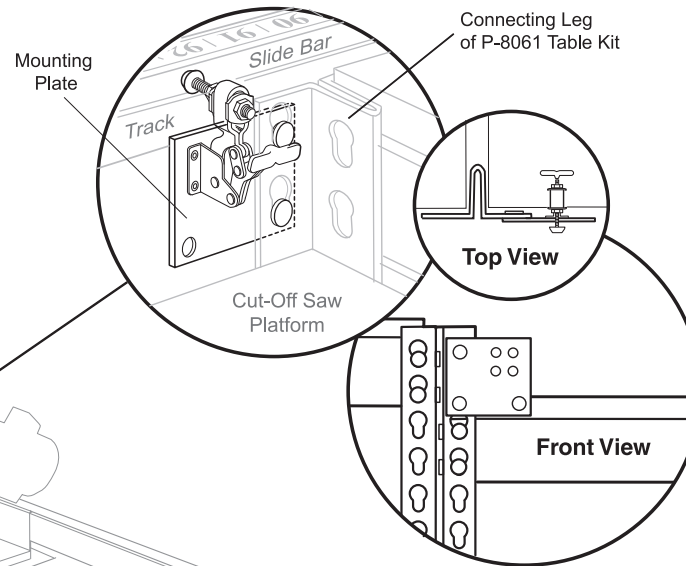
**Figure 8 Stop Arm**



**Figure 3 New Hole Location**



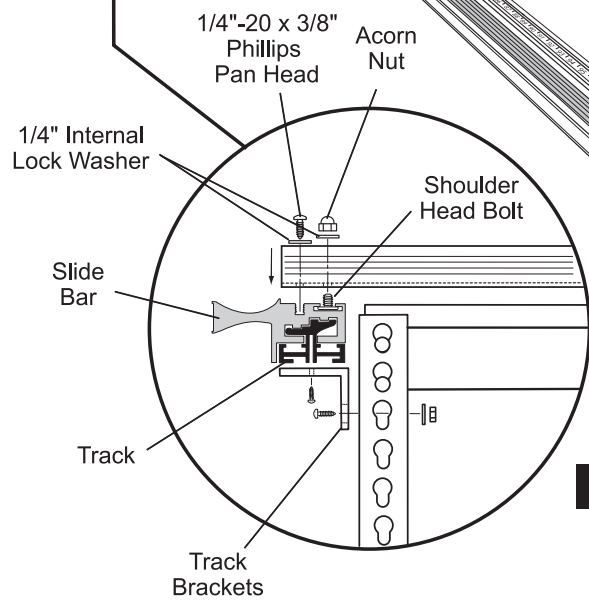
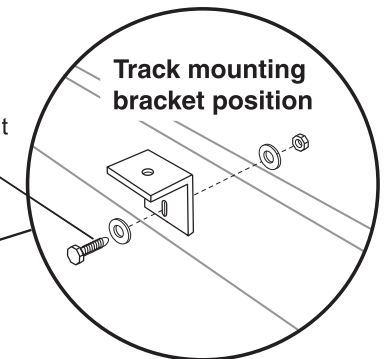
**Figure 4 Slide Bar Clamp**



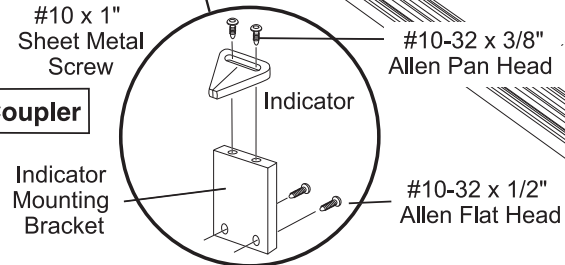
**Tools Required**

- Hammer or Mallet
- Phillips Screwdriver
- Slotted Screwdriver
- 1/8" Allen Wrench
- Drill
- 1/4" Drill Bit
- 3/8" Wrench
- 7/16" Wrench
- 6' Straight Edge or Level

**Figure 2 Mounting Brackets**

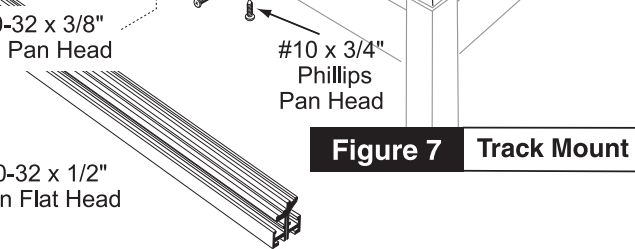


**Figure 5 Track Coupler**

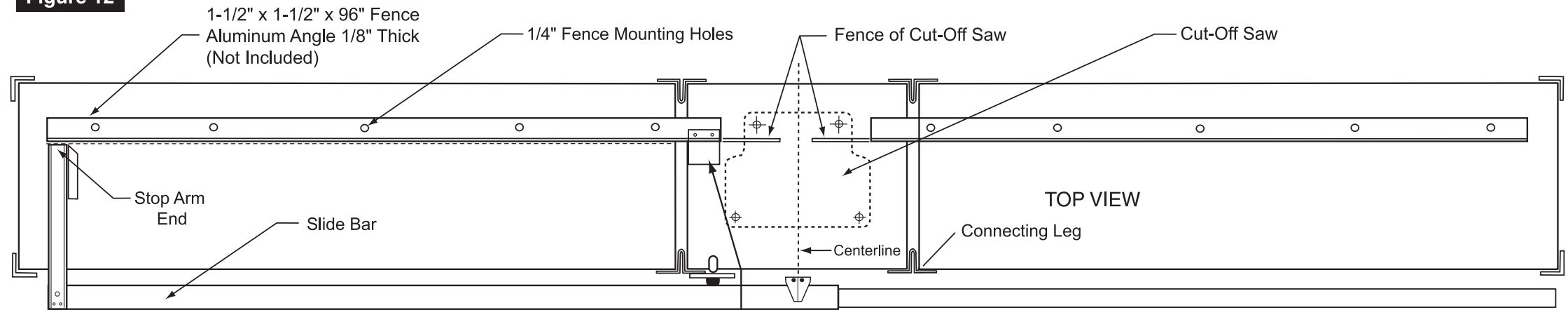


**Figure 9 Indicator**

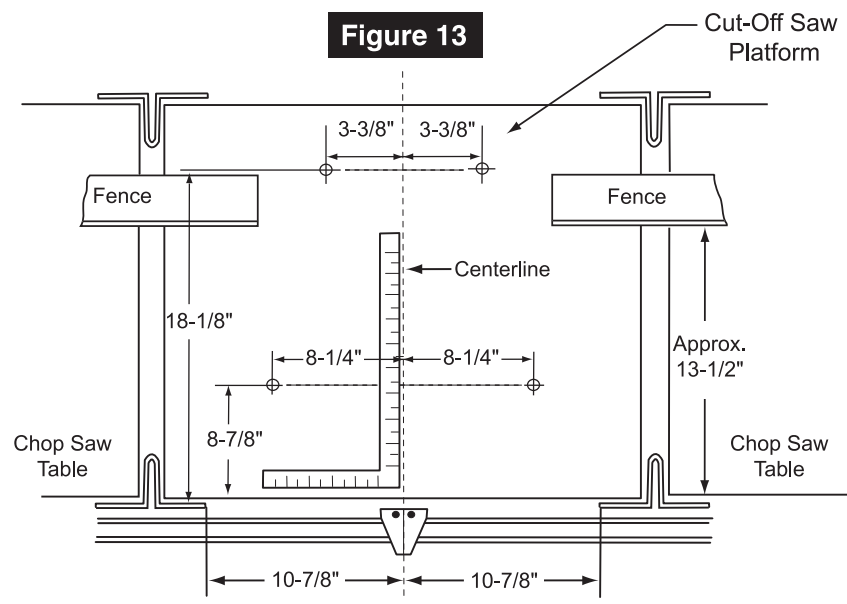
**Figure 7 Track Mount**



**Figure 12**

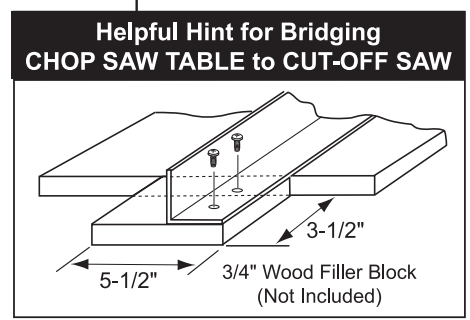


**Figure 13**

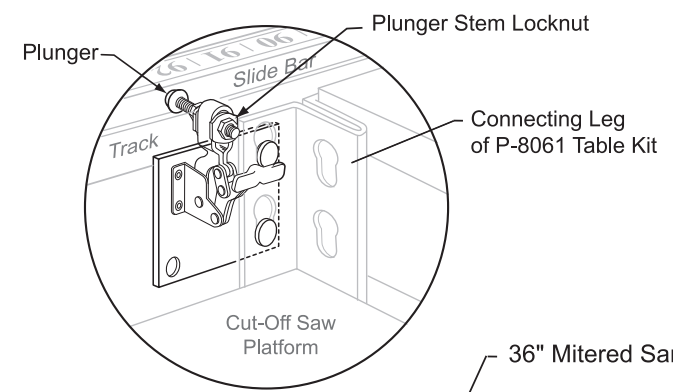


**Note: Configuration is for a Delta 36-070 Chop-saw (not included).**

**Figure 17**



**Figure 15 Slide Bar Clamp**



**Figure 16**

