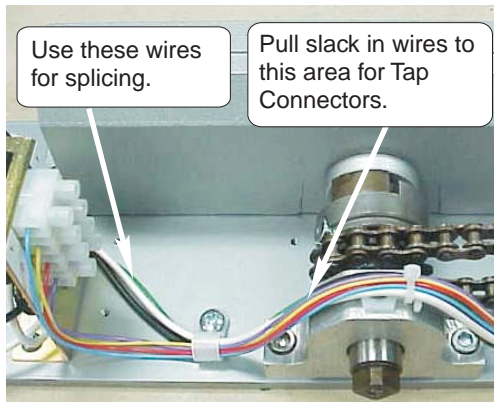


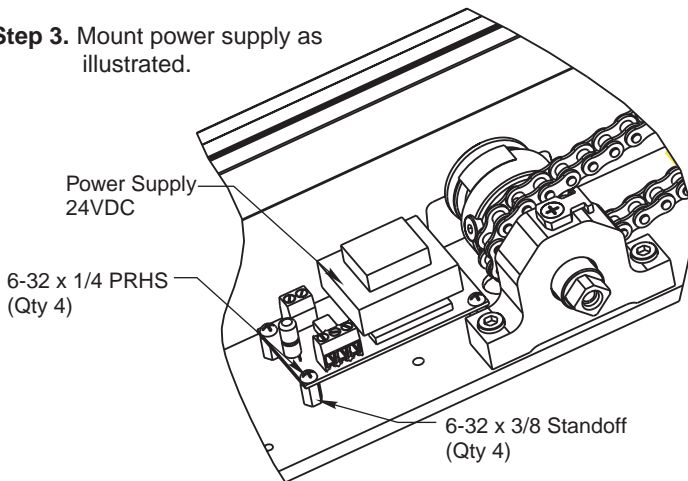
571 Kit instructions for installing a 433MHz receiver on a 5700 LEO™ unit.

**Step 1.** Toggle circuit breaker to OFF position to terminate power to unit before proceeding.

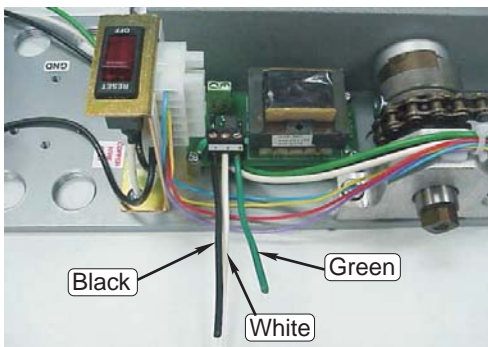
**Step 2.** Note the wires that will be spliced into the 120VAC supply.  
Hot ----- (Black wire)  
Common ---- (White wire)  
Earth Ground (Green wire)  
Power supply will be mounted on stand offs over top of the wires shown.



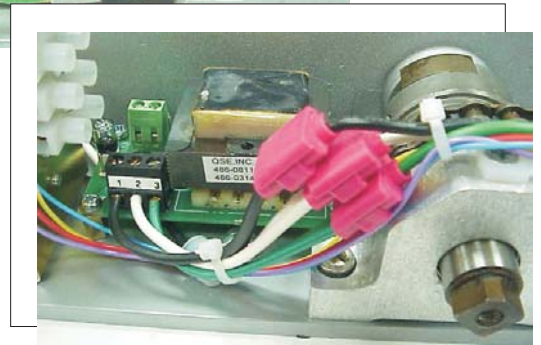
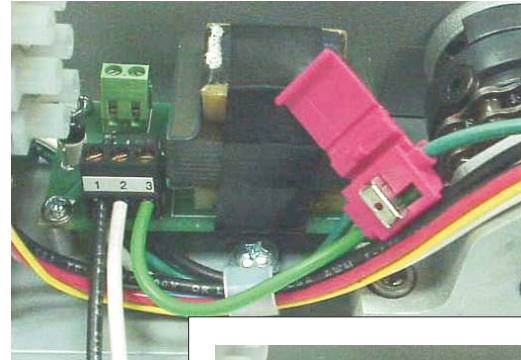
**Step 3.** Mount power supply as illustrated.



**Step 4.** Connect (3) short splicing wires (provided) to the three position terminal on the power supply  
Terminal 1 ---- (Black wire)  
Terminal 2 ---- (White wire)  
Terminal 3 ---- (Green wire)



**Step 5.** Use the three tap connectors (provided) to splice power supply leads into units 120VAC power.  
Splice Black to Black; White to White; and Green to Green.

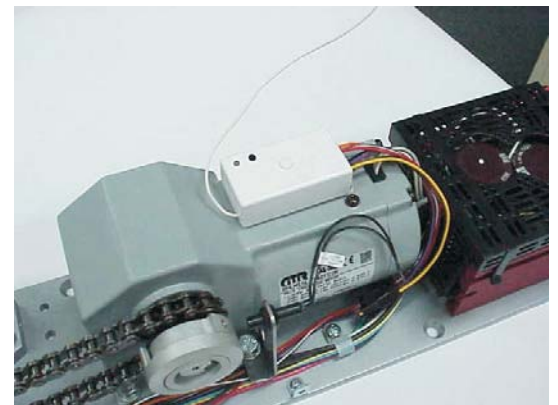


**Step 6.** Mount RF receiver to unit as shown using Velcro strip provided.

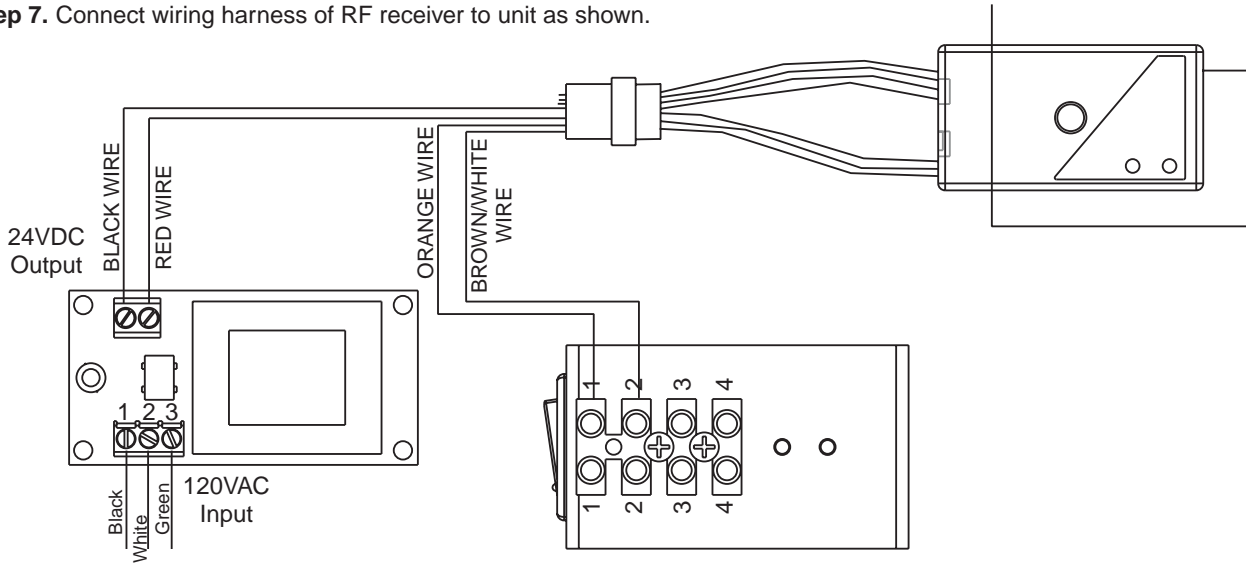


**CAUTION**

Use cable ties (provided) to secure the RF's wiring harness to the units existing wiring to insure RF's wiring will not come in contact with sprockets or chain.



**Step 7.** Connect wiring harness of RF receiver to unit as shown.



**Step 8.** Toggle circuit breaker switch to RESET position to turn power input to unit on. Confirm LED on RF receiver is flashing red.

### Programming Transmitter(s) Into Receiver Memory

The receiver can learn up to 12 transmitters. Follow the directions below to store a transmitter's code into the 433MHz receiver located on the door operator.

1. Door operator should have input power turned on. Confirm LED on receiver is flashing red.
2. Press receiver's programming button for less than 2 seconds and release. Receiver LED changes from blinking red to solid green.
3. Press and release the momentary contact (normally open) switch of a 433MHz transmitter once. Verify receiver's LED changes to solid red. Receiver is now learning the transmitter's code.
4. Wait a few seconds and press and release the same button as in step 3 a second time. The receiver's LED will blink green several times indicating it is ending its learning procedure. When it is ended, the receiver LED should resume blinking red.

### Deleting All Transmitters from Receiver Memory

You can clear the receiver memory of all previously learned transmitters.

1. Press the receiver's programming button for more than 8 seconds until the receiver's LED starts blinking green. Release the programming button. The LED should now be blinking red.
2. The receiver's memory is now cleared. To learn new transmitters, follow the steps for programming transmitters into the receiver's memory.

#### 433MHz Receiver

