

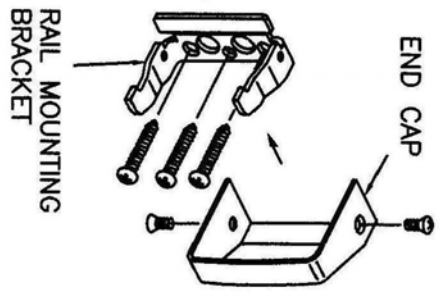
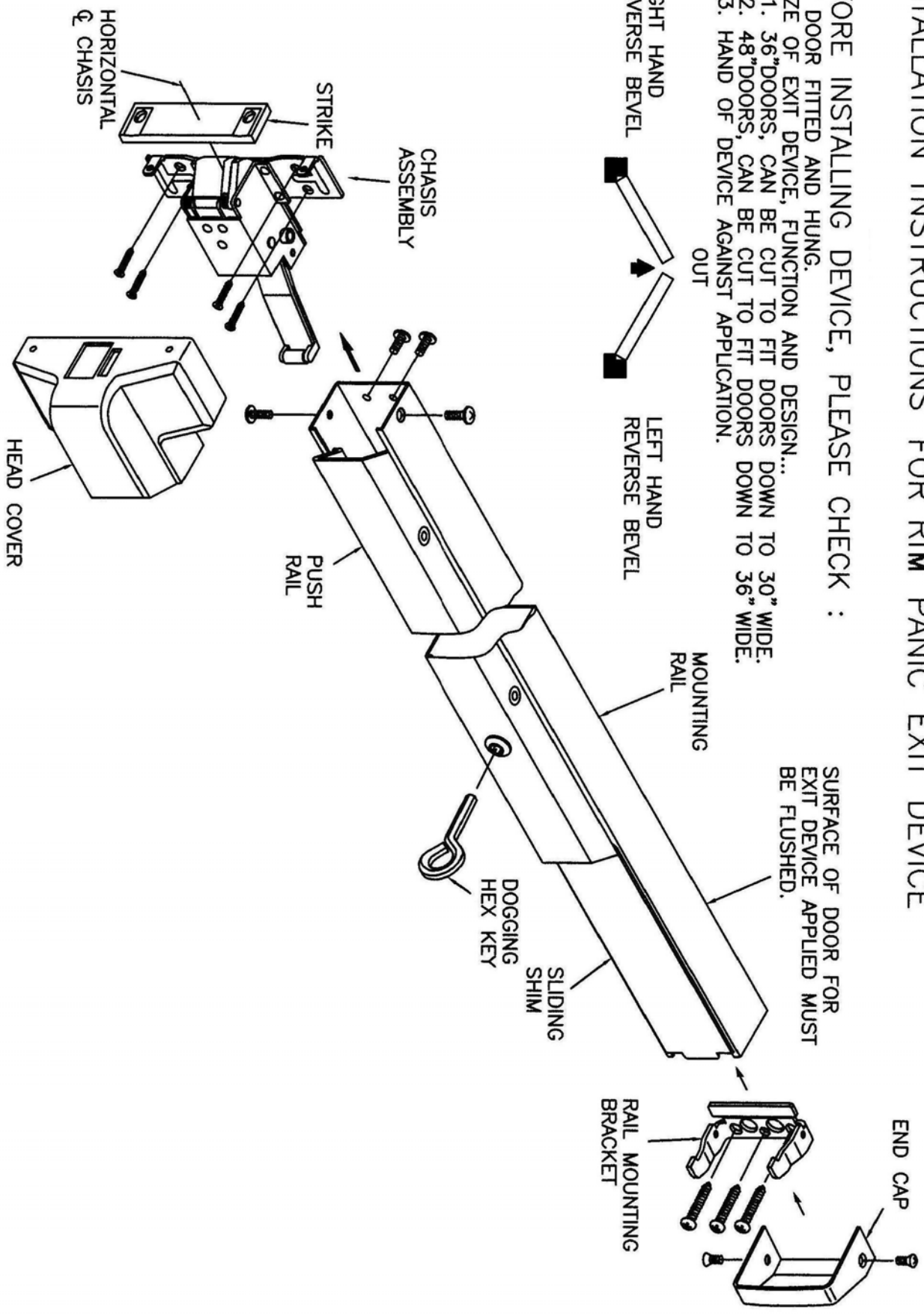
INSTALLATION INSTRUCTIONS FOR RIM PANIC EXIT DEVICE

BEFORE INSTALLING DEVICE, PLEASE CHECK :

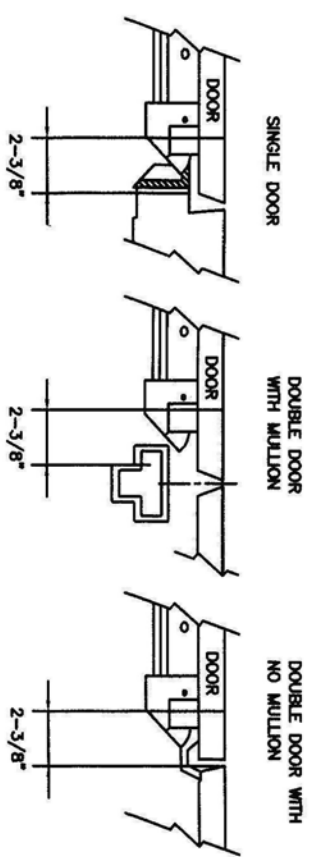
1. IF DOOR FITTED AND HUNG.
2. SIZE OF EXIT DEVICE, FUNCTION AND DESIGN...
  - 2.1. 36" DOORS, CAN BE CUT TO FIT DOORS DOWN TO 30" WIDE.
  - 2.2. 48" DOORS, CAN BE CUT TO FIT DOORS DOWN TO 36" WIDE.
  - 2.3. HAND OF DEVICE AGAINST APPLICATION.



SURFACE OF DOOR FOR EXIT DEVICE APPLIED MUST BE FLUSHED.



# 1. TYPE OF INSTALLATION

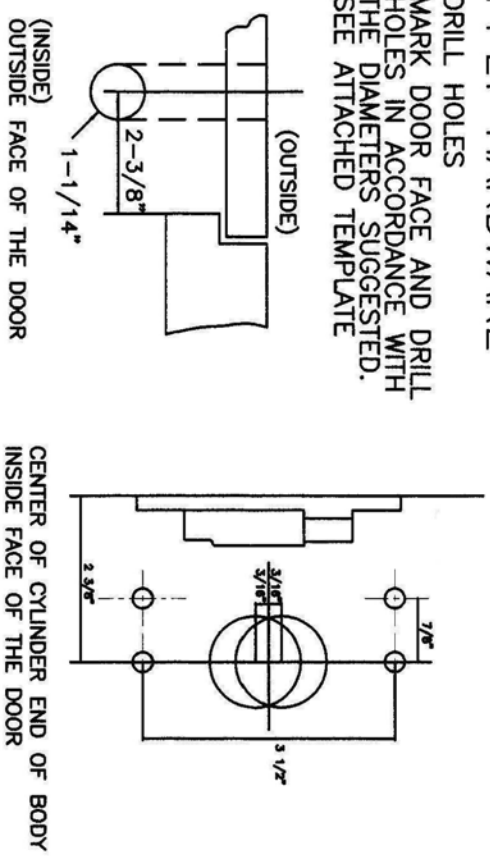


# CRL DL950 RIM PANIC EXIT DEVICE

## 2. APPLY HARDWARE

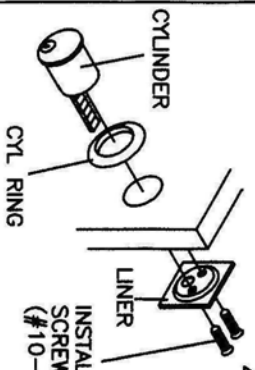
### 2.1 DRILL HOLES

MARK DOOR FACE AND DRILL HOLES IN ACCORDANCE WITH THE DIAMETERS SUGGESTED. SEE ATTACHED TEMPLATE

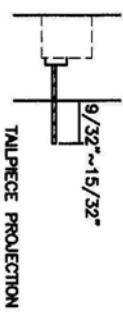


### 2.2 INSTALL CYLINDER

OUTSIDE FACE OF THE DOOR

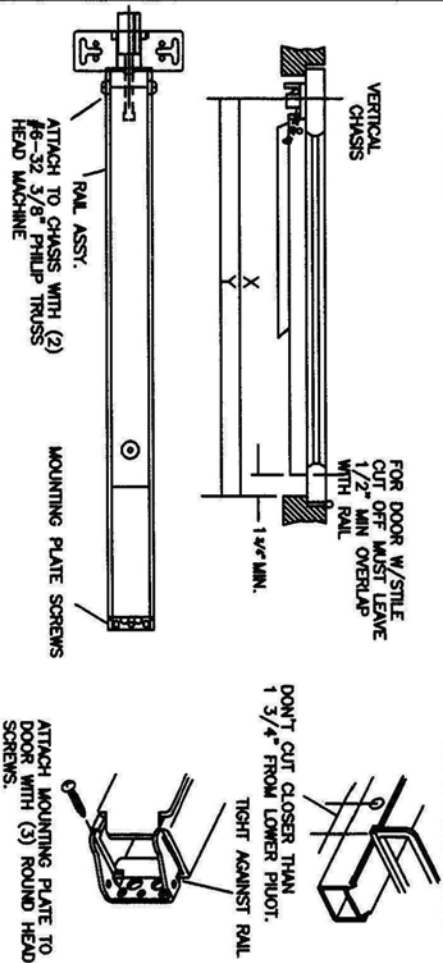


1. INSERT THE CYLINDER THROUGH CYL RING THE HOLE ON THE DOOR.
2. KEEP THE TAIL PIECE HORIZONTAL.
3. MOUNT LINER ON INSIDE OF DOOR AND DOOR IS SUGGESTED IN THE RANGE 9/32" ~ 15/32". IF NECESSARY, USE A PLIER TO BEND AND CUT TO DESIRED LENGTH.

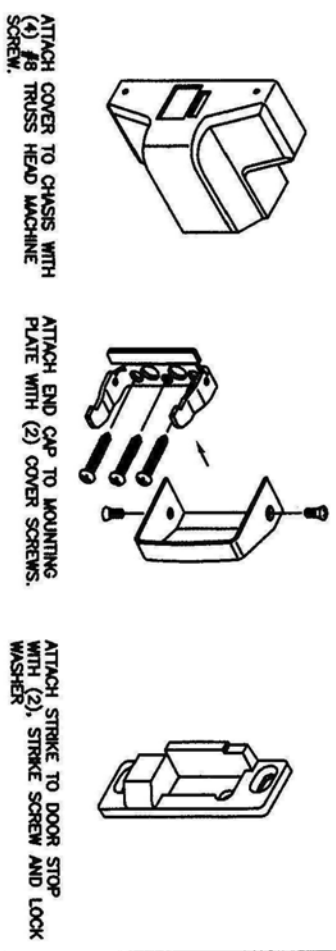


## 3. APPLY RAIL ASSEMBLY

1. CHECK THE SIZE OF DEVICE, IF CUTTING TO LENGTH IS REQUIRED.
2. DETERMINE CUT OFF LENGTH "X" BY SUBTRACTING 1 3/4" FROM "Y". MARK CUT OFF POINT ON MOUNTING RAIL.
3. DEPRESS ARM INTO RAIL OPENING AND SLIDE RAIL ONTO CHASSIS. LEVEL RAIL AND FASTEN CHASSIS AND MOUNTING PLATE.



## 4. APPLY COVER AND STRIKES

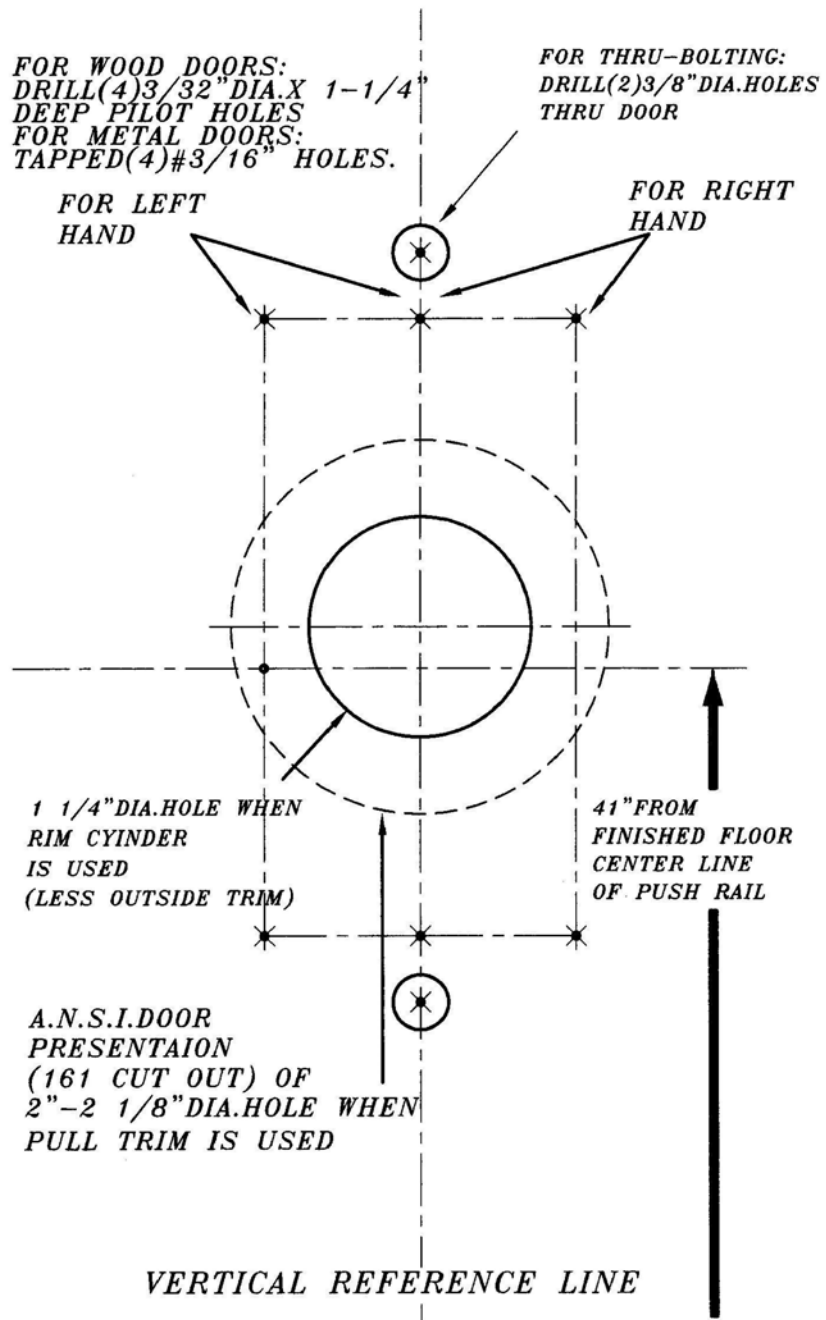


USE FOR REFERENCE ONLY

TEMPLATE

RIM SERIES EXIT DEVICE

USING RIM CYLINDER & PULL TRIM



① FOR REFERENCE LINES REFER TO INSTRUCTION SHEET

CRL DL950

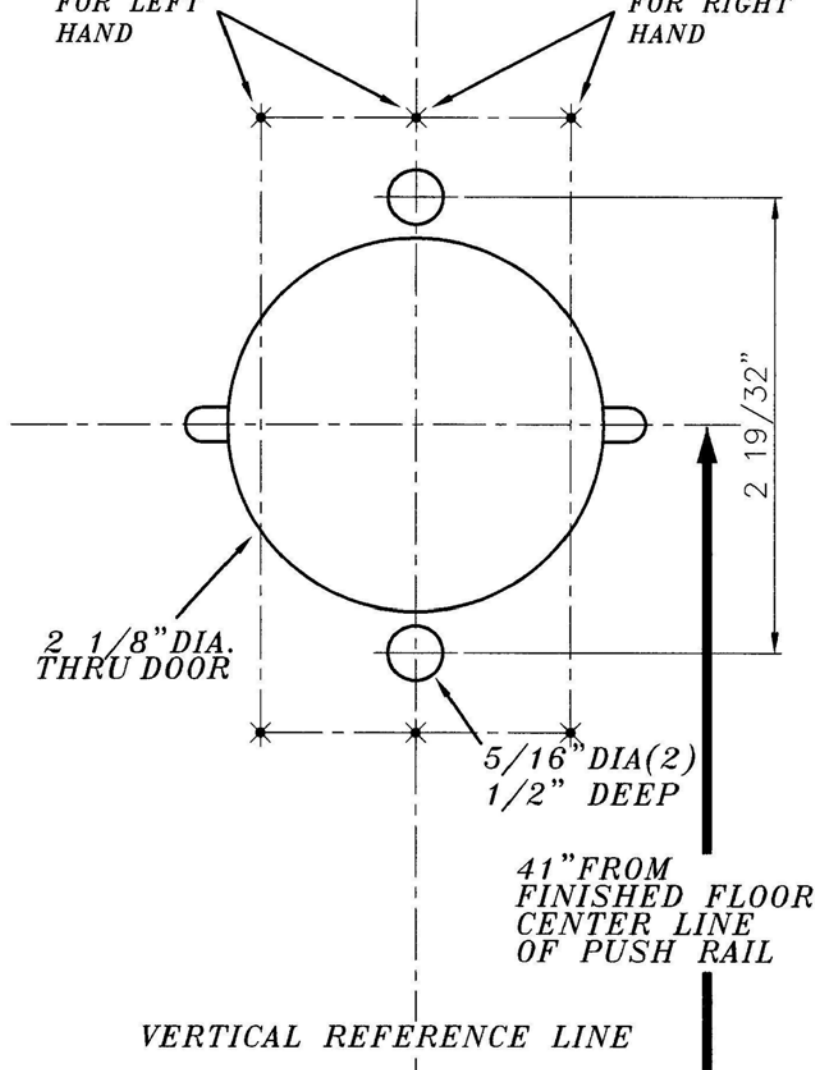
USE FOR REFERENCE ONLY

TEMPLATE  
RIM SERIES EXIT DEVICE  
USING LEVER HANDLE TRIM

FOR WOOD DOORS:  
DRILL (4)  $3/32$ " DIA. X  $1-1/4$ "  
DEEP PILOT HOLES  
FOR METAL DOORS:  
TAPPED (4)  $\#3/16$ " HOLES.

FOR LEFT  
HAND

FOR RIGHT  
HAND



① FOR REFERENCE LINES REFER TO INSTRUCTION SHEET

CRL DL950