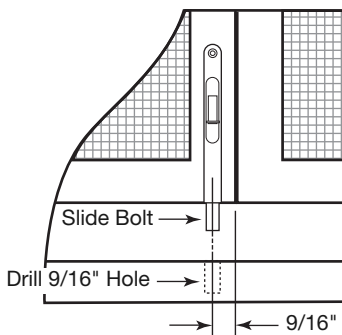
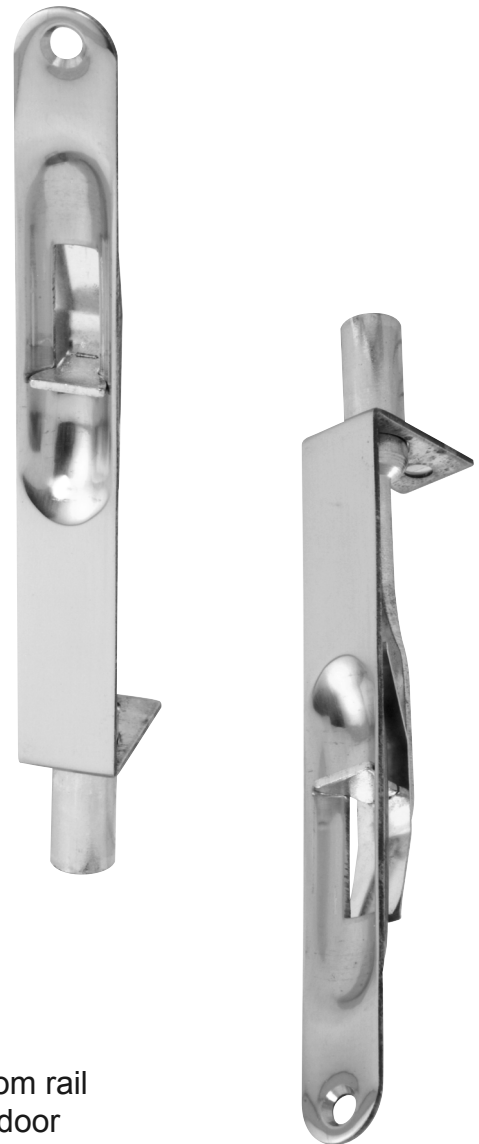
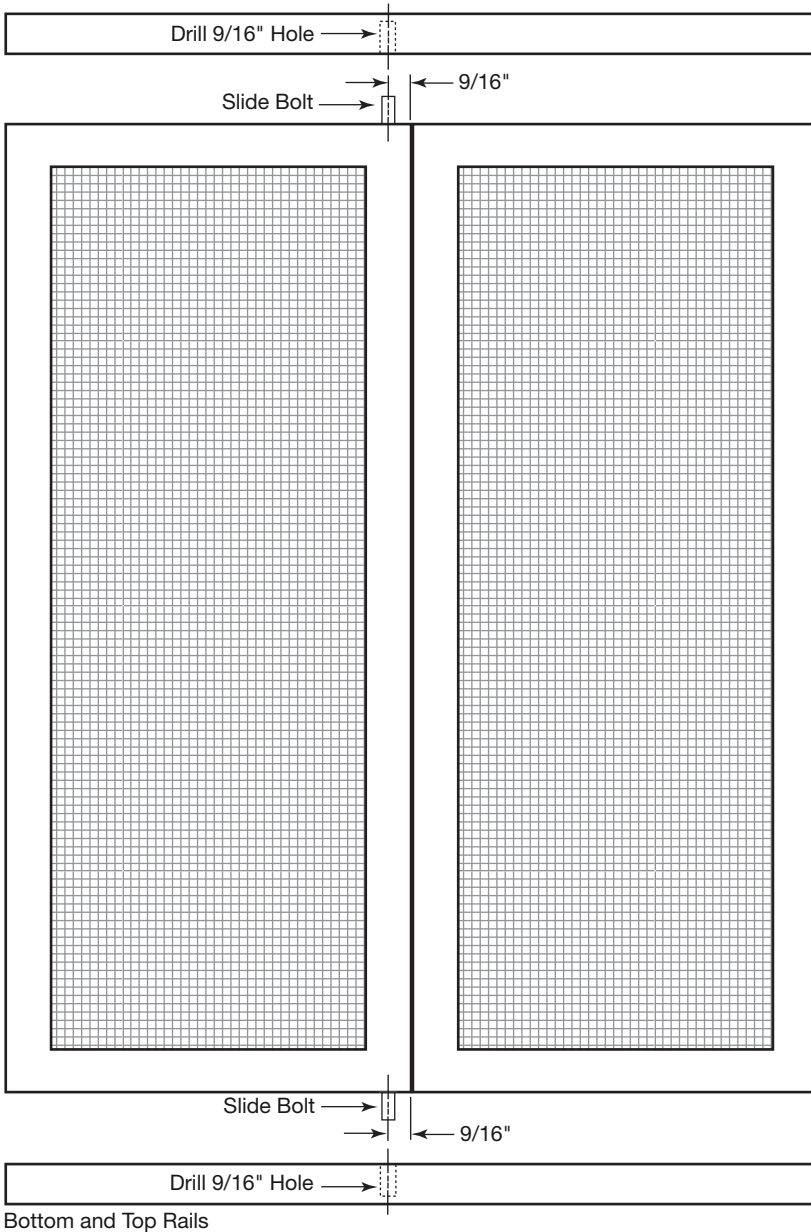




Security French Doors Slide Bolt Installation on Fixed Door



1. Install door with top and bottom rail
2. Measure 9/16" from edge of door where slide bolt is installed
3. Mark center of top and bottom rail where 9/16" is marked
4. Drill hole in both rails using 9/16" drill bit