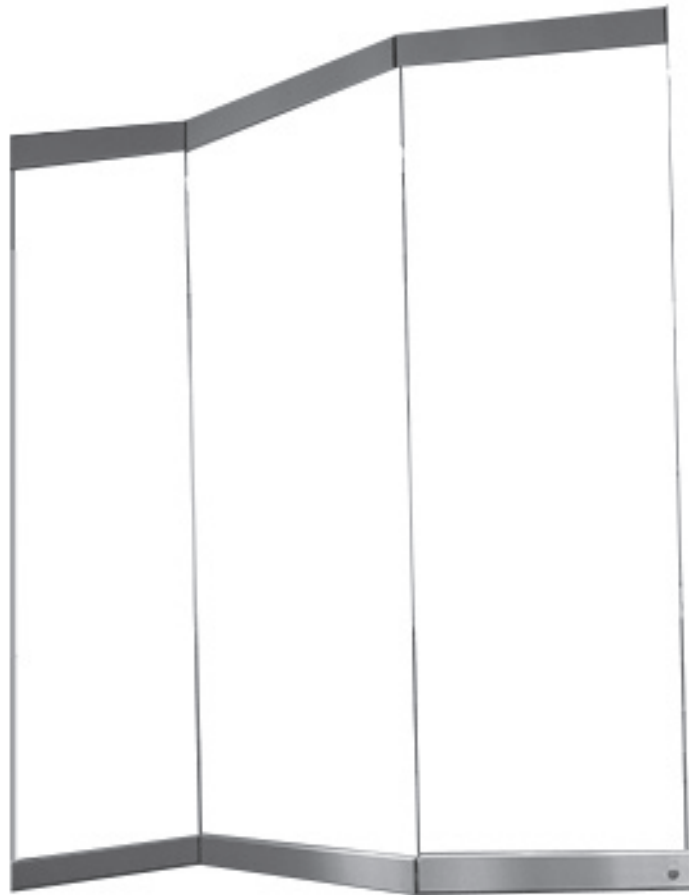


INSTALLATION INSTRUCTIONS

SERIES OTB2, OTB4, AND OTB6 CRL BI-FOLD DOORS FULL PANEL OVERHEAD TRACK SYSTEM



2503 E. Vernon Avenue, Los Angeles, CA 90058-1826
Phone: (800) 421-6144 EXT 7700 • Fax: (800) 587-7501
crlaurence.com • usalum.com • crl-arch.com

INTRODUCTION

Congratulations on your selection of the CRL Bi-Fold Door System. This system has been designed to work in a variety of different applications. Ease of installation and adjustment for height and alignment by incorporating all the features of the CRL Wedge-Lock Door Rail System make this the best choice you can make in Overhead Track Doors.

By following the instructions in this manual, we believe you will experience a trouble-free installation of the system.

Should you have any question about this system or other CRL products, please contact us at (800) 421-6144 EXT 7700 or visit our web site at crlaurence.com.

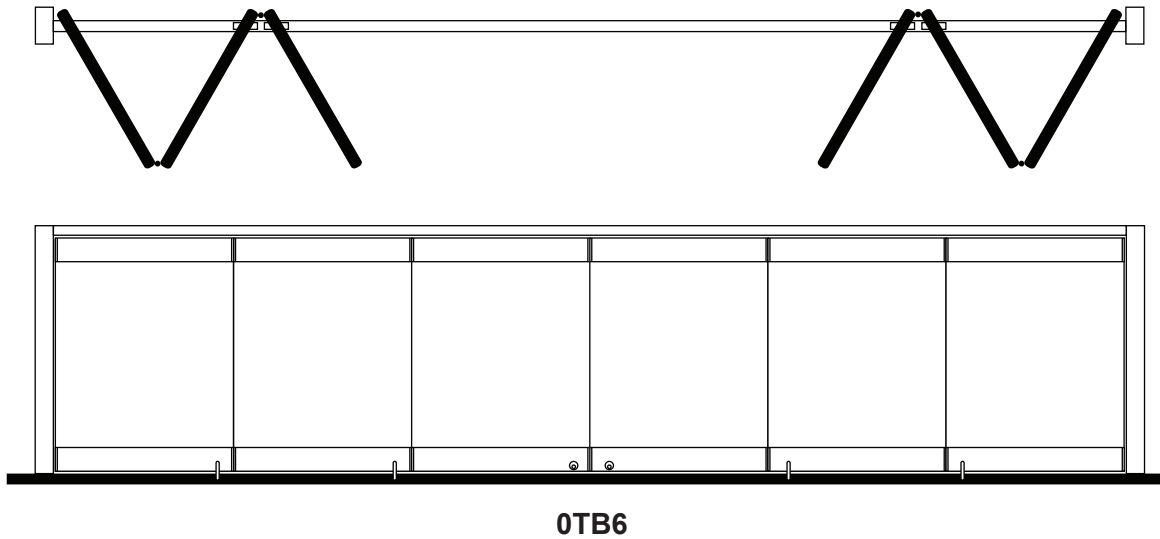
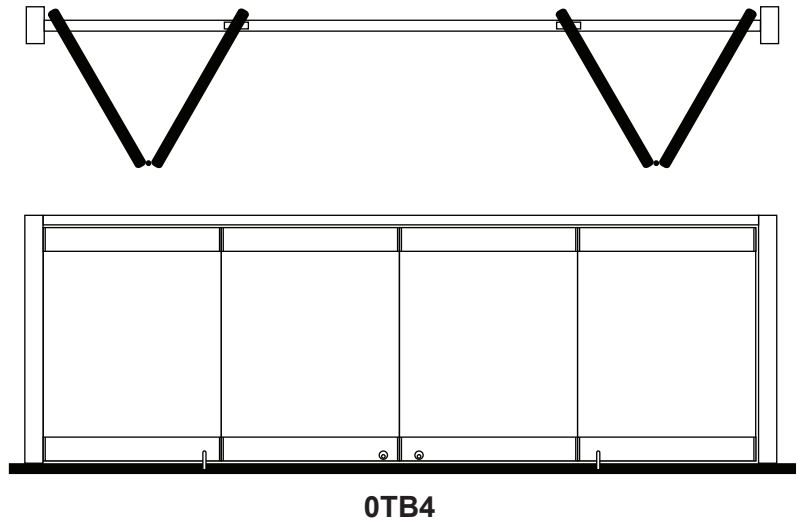
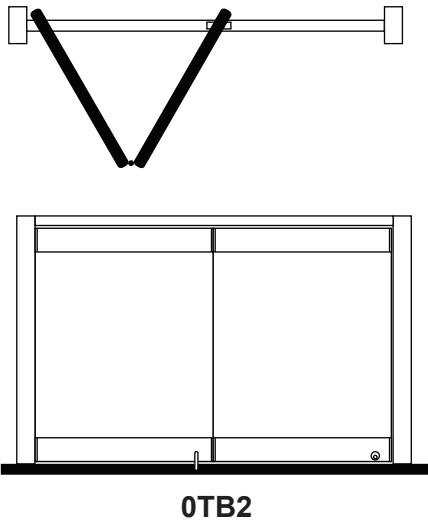
IMPORTANT: READ THIS MANUAL THOROUGHLY BEFORE BEGINNING INSTALLATION.

ORDER OF ASSEMBLY AND INSTALLATION

INTRODUCTION	2
CONFIGURATIONS	3
HEAD TRACK INSTALLATION	4
BOTTOM TRACK AND PIVOT INSTALLATION	4
PIVOT DOOR LEAF ASSEMBLY	5
TOP PIVOT RAIL	5
BOTTOM PIVOT RAIL	5
FOLDING DOOR LEAF ASSEMBLY	6
TOP FOLDING RAIL	6
BOTTOM FOLDING RAIL	6
PIVOT DOOR LEAF INSTALLATION	7
FOLDING DOOR LEAF INSTALLATION	8 - 9
FINAL ASSEMBLY	9
JOB SITE ESSENTIALS	10

CONFIGURATIONS

Available as 2-Panel Bi-Fold (0TB2), 4-Panel Dual Bi-Fold (0TB4), and 6-Panel Dual Bi-Fold (0TB6) styles. The maximum width of each panel must not exceed 39" (990 mm). Minimum panel width is 15" (381 mm). Maximum weight per panel not to exceed 170 lbs (77kg).

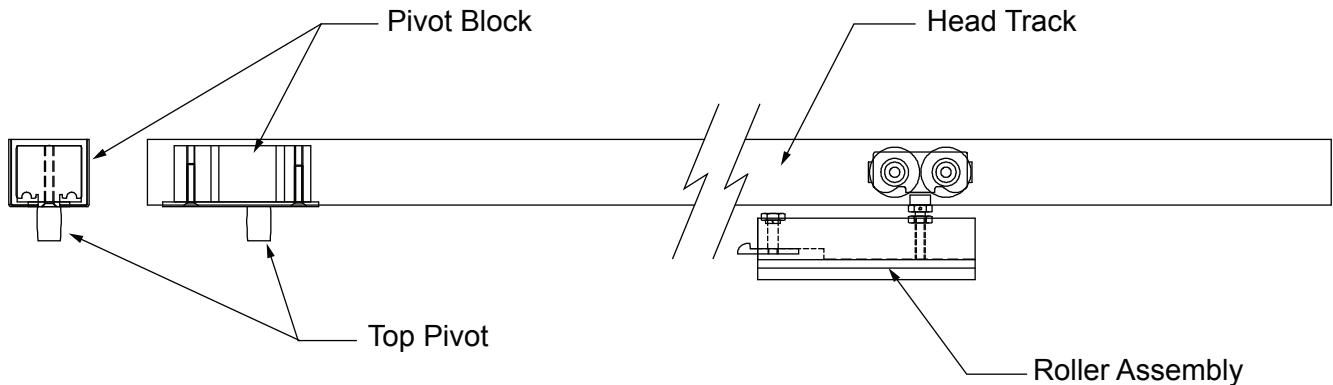


HEAD TRACK INSTALLATION

The Head Track Assembly is packed complete with Top Pivot, Pivot Block, and Roller Assemblies installed. Remove the Top Pivot/(s) from the Pivot Block/(s). This will expose the temporary screws holding the Pivot Blocks to the Head Track.

Remove these screws and discard them. Remove the Roller Assemblies.

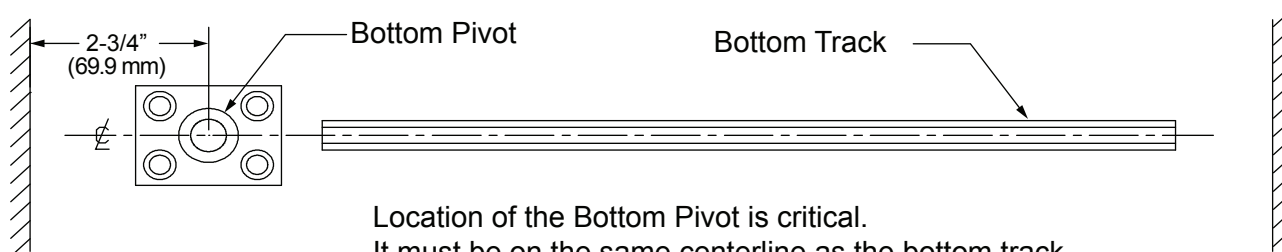
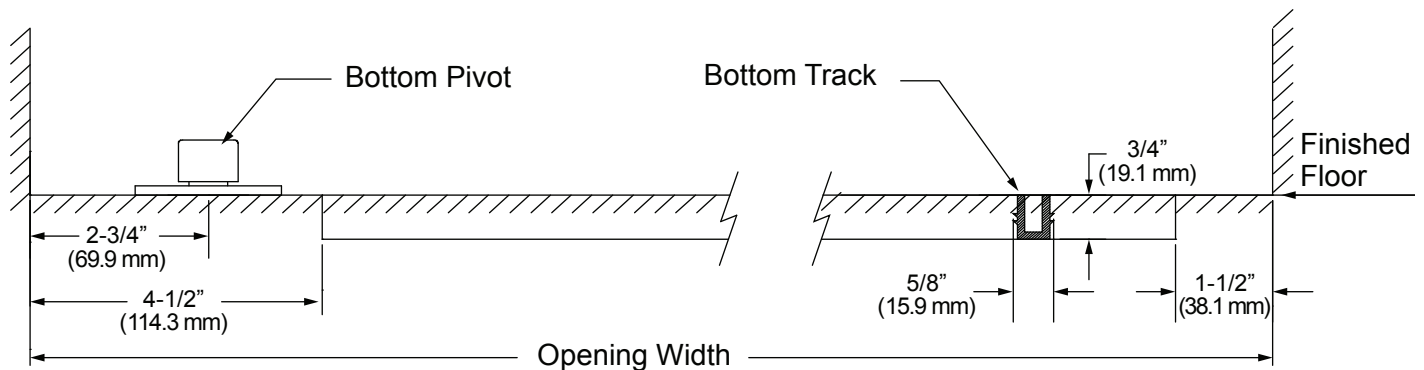
Secure the Head Track onto the top opening with #10 screws (not provided) through the holes provided. Reinstall the Roller Assemblies, and then secure the Top Pivot Block to the Head with 1/4" (6.4 mm) screws (not provided). Screw lengths should be a minimum of 1" (25.4 mm) long and the head of the opening must be of sufficient strength to withstand considerable torque from the top hung panels when they are open.



BOTTOM TRACK AND PIVOT INSTALLATION

The Bottom Track is set into the floor and is positioned directly under the center of the Head Track. It should be positioned 4-1/2" (114.3 mm) from the Pivot jamb and 1-1/2" (38.1 mm) from the opposite jamb.

The Bottom Pivot is installed into the finished floor 2-3/4" (69.9 mm) from the Pivot Jamb and on the centerline of the door.



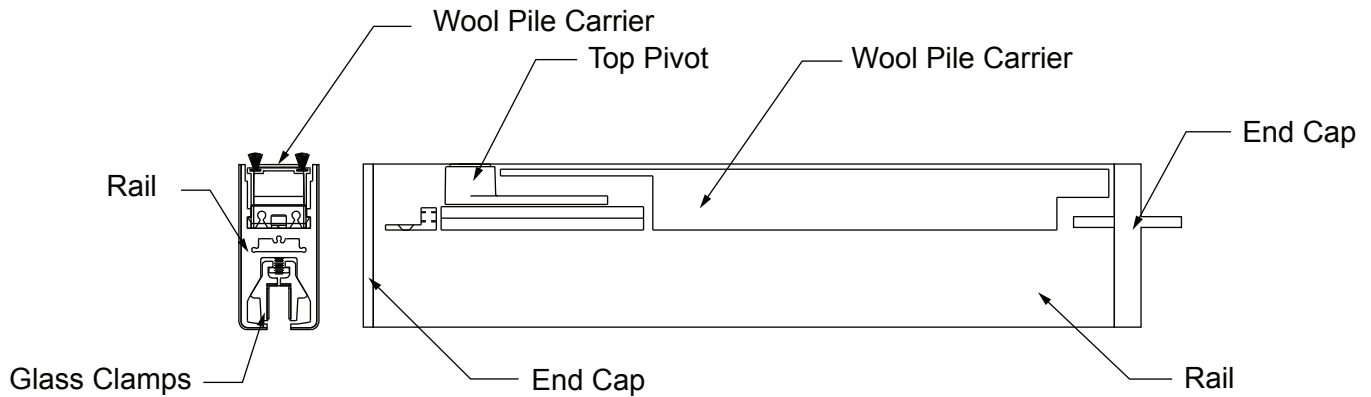
Location of the Bottom Pivot is critical.
It must be on the same centerline as the bottom track.

PIVOT DOOR LEAF ASSEMBLY

TOP PIVOT RAIL

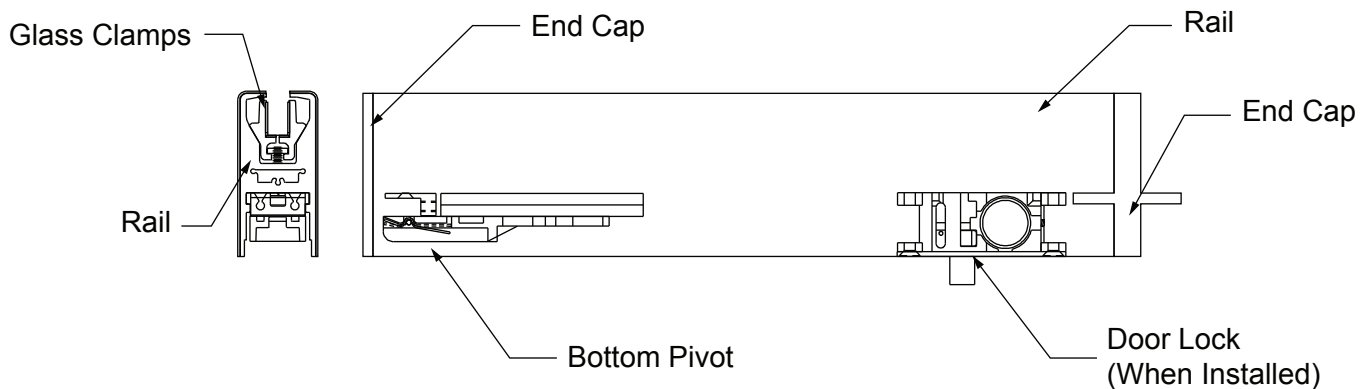
Remove both End Caps from the Rail. Remove the Wool pile Carrier from the Rail.

Assemble the Rail to the Glass as directed in the Rail Assembly Instructions included in the packaging. Reinstall the Wool Pile Carrier.



BOTTOM PIVOT RAIL

Remove both End Caps from the Rail. Assemble the Rail to the Glass as directed in the Rail Assembly Instructions included in the packaging. **Be sure that the Bottom Pivot is aligned with the Top Pivot in the Top Rail.**

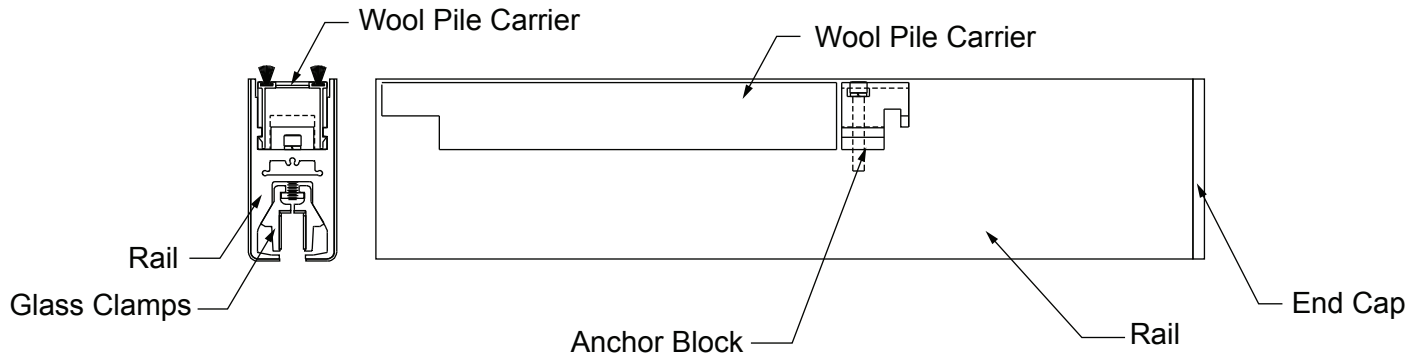


FOLDING DOOR LEAF ASSEMBLY

TOP FOLDING RAIL

Remove End Caps from the Rail. Remove the Wool Pile Carrier from the Rail.

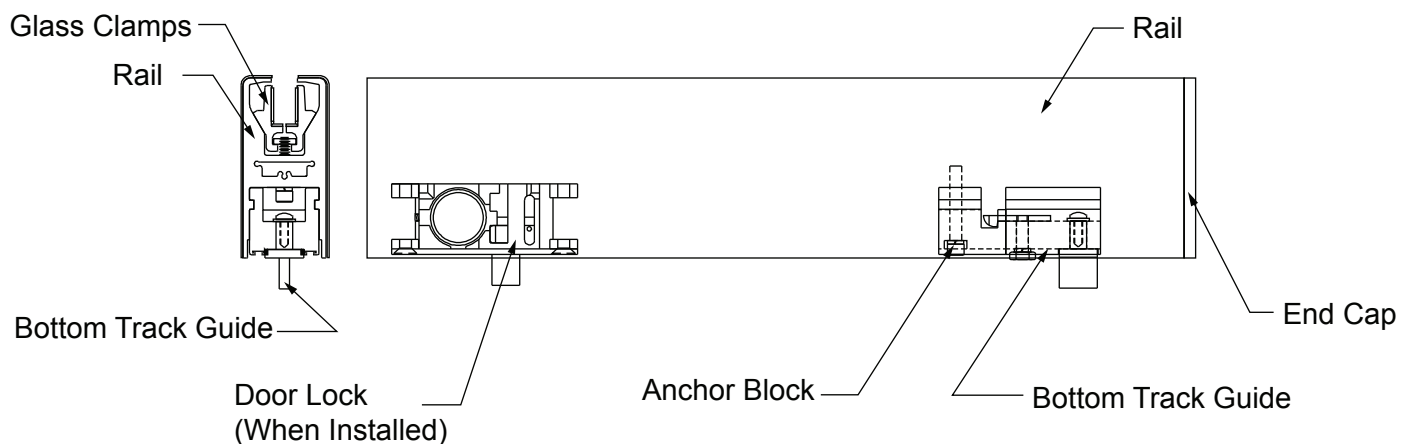
Assemble the Rail to the Glass as directed in the Rail Assembly Instructions included in the packaging. Re-install the Wool Pile Carrier.



BOTTOM FOLDING RAIL

Remove End Caps from the Rail.

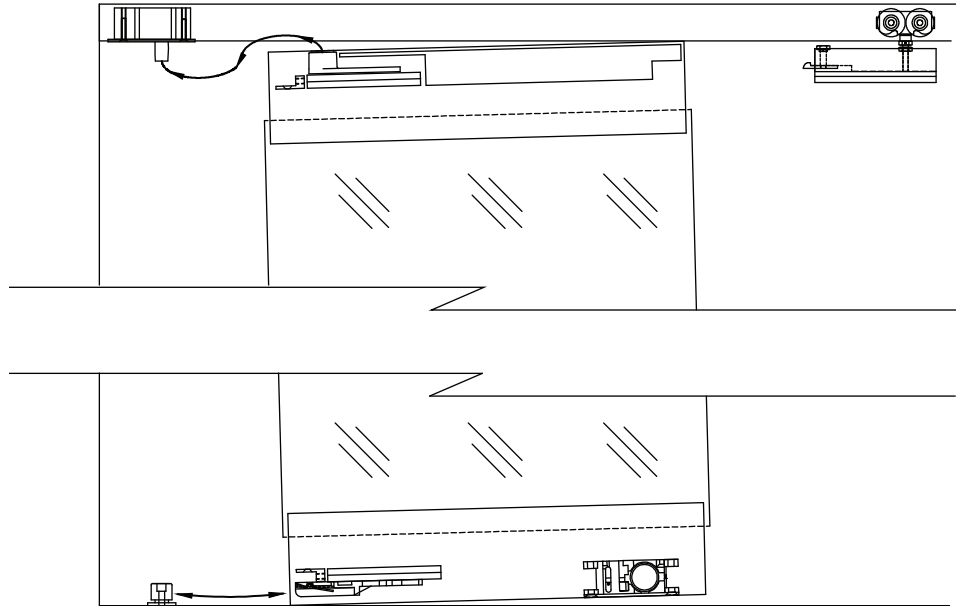
Assemble the Rail to the Glass as directed in the Rail Assembly Instructions included in the packaging. Be sure that the Bottom Track Guide is aligned with the Anchor Block in the Top Rail.



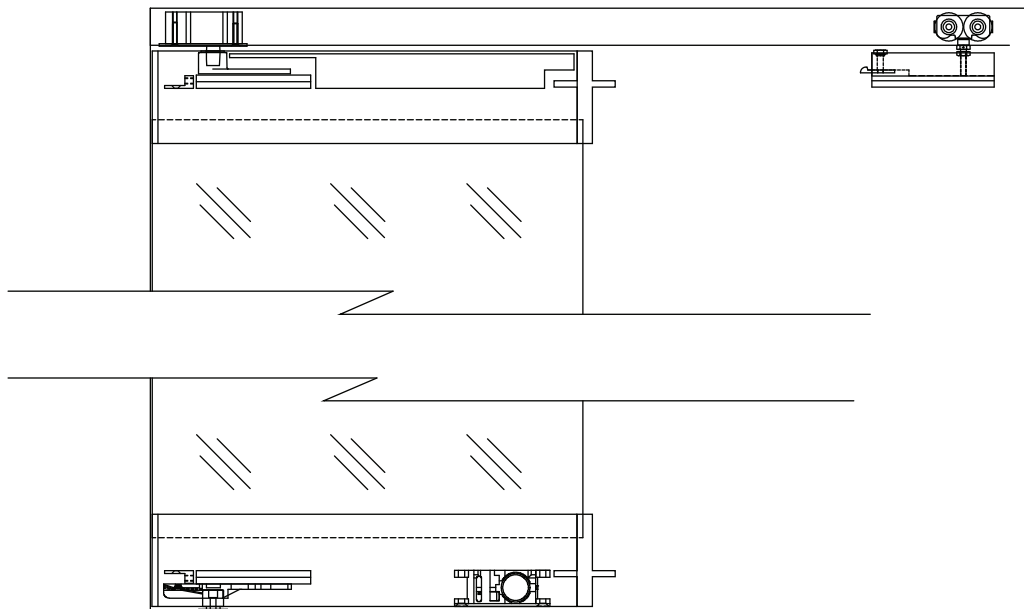
PIVOT DOOR LEAF INSTALLATION

Lift Door Leaf and insert the Pivot Receiver in the Door into the Top Pivot.

Raise the Door Leaf and slide it onto the Bottom Pivot.

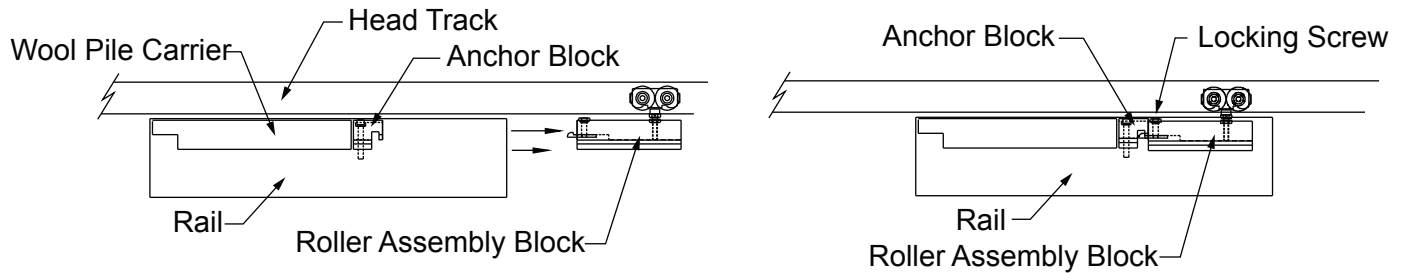


Check alignment of Door Leaf with Head and Jamb. If adjustment is required, follow procedures in Rail Assembly Instructions. When Door Leaf is aligned correctly, re-install End Caps.

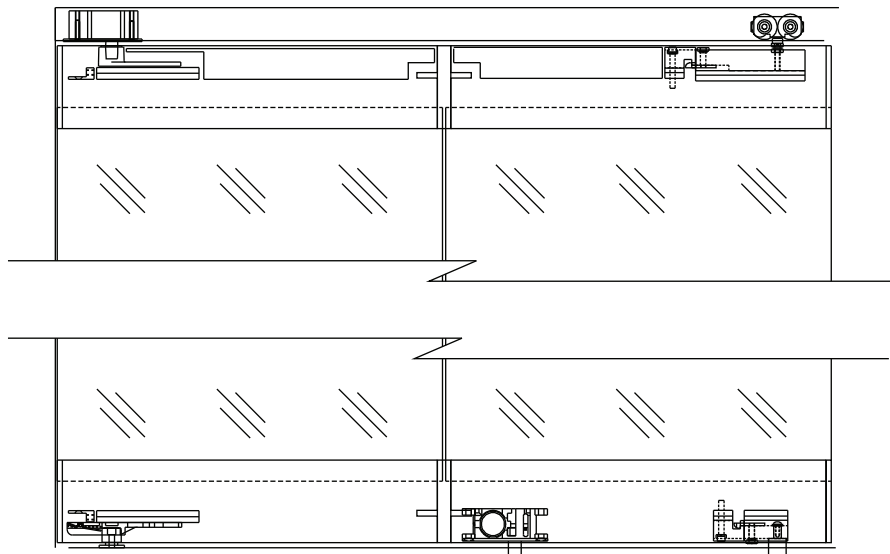


FOLDING DOOR LEAF INSTALLATION

Lift Folding Door Leaf and insert Bottom Track Guide into Bottom Track. Align the end of the Top Rail with the Roller Assembly Block. Slide the Roller Assembly Block into the Top Rail until it contacts with the Anchor Block. While maintaining contact, tighten the locking screw.

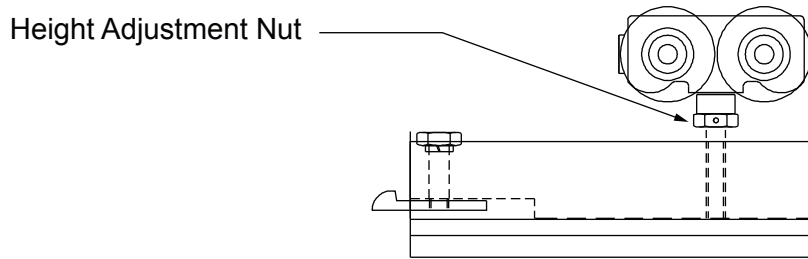


Secure the Hinged End Caps attached to the Pivot Door Leaf to the Sliding Door Leaf. Be sure all screws are tight. Continue process until all Sliding Door Leaves are installed.



FOLDING DOOR LEAF INSTALLATION (CONTINUED)

If height adjustment is required, rotate Height Adjustment Nut.



FINAL ASSEMBLY

Check operation of door. If binding is observed when door nears full open position, do not force. This is most likely due to misalignment of the Top or Bottom Pivot.

Release the hinged end cap screws by a few turns and fully open the door. Any misalignment of the Pivots will show as a gap between the Hinge and the Door Rail. Adjust the Slides at the Pivot end of the Rail to bring the Rails in line with the Hinge and re-tighten the Hinge Screws.

Make any final adjustments to height and alignment.

Install Lock Cylinders and any other hardware and check function.



JOB SITE ESSENTIALS

Helpful Tools and Supplies for Installing CRL U.S. Aluminum Entrances, Storefronts, Windows, and Curtain Wall Systems



CRL Tape Measure
CAT. NO. 54225



CRL Electronic Level and Angle Locator with Digital Display
CAT. NO. 406065



CRL Gloves
CAT. NO. KF1TL



CRL Utility Knife
CAT. NO. K82



CRL Cordless Driver/Drill
CAT. NO. LD147



CRL Cordless Screwdriver
CAT. NO. LD823



CRL 8" Vacuum Lifter
CAT. NO. S338



CRL Glass Cleaner
CAT. NO. 1973



CRL Glass Wipes
CAT. NO. 1550



CRL Deluxe Laser Level Kit
CAT. NO. LD200



CRL 1.69 Fl. Oz. (50 ml) Bottle Loctite® Threadlocker
CAT. NO. 24231



CRL Plumb Bob Alignment Tool for Premium Balanced Doors
CAT. NO. BDPS105