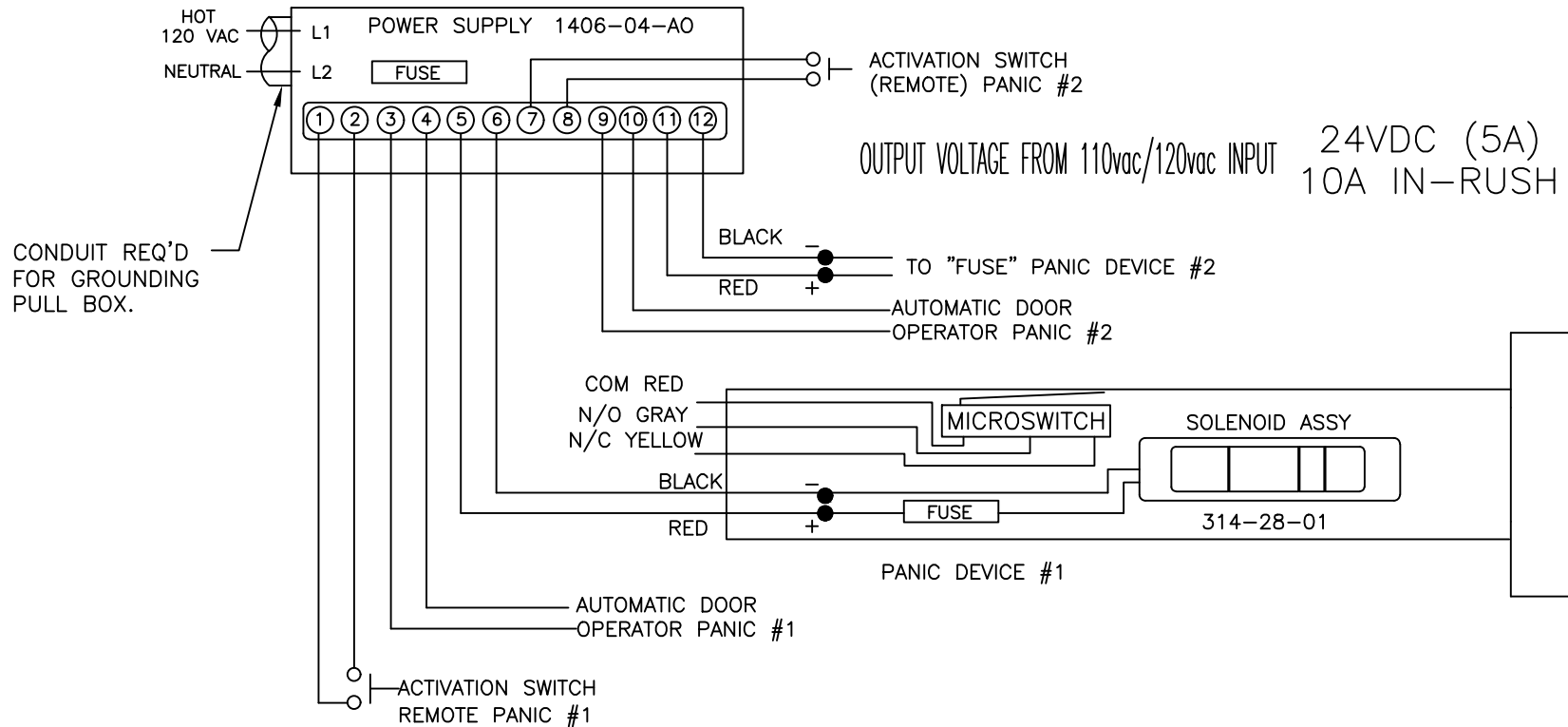


# SCHEMATIC FOR JACKSON 302616/1406 POWER SUPPLY WITH SOLENOID LATCH RETRACTION PANIC DEVICES

- NOTE:  
 1. USED WITH JACKSON 20E SERIES ELECTRIFIED SOLENOID LATCH RETRACTION PANIC DEVICES  
 MANUFACTURED BEFORE AUGUST 15, 2016.



### NOTES

- 1.) WHEN CONTACTS OF TIME CLOCK OR OVERRIDE SWITCH CLOSE. EXIT DEVICE LATCH BOLTS WILL CLOSE.
- 2.) ● DENOTES A FIELD WIRE CONNECTION.
- 3.) RECOMMENDED WIRE GA FROM POWER SUPPLY TO PANIC:
  - 16 GA UP TO 40'
  - 14 GA " " 60'
  - 12 GA " " 100'

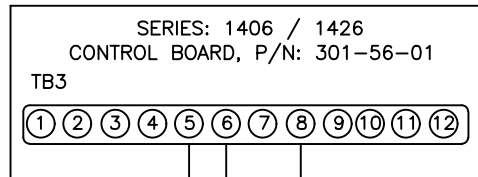
<p><small>ALUMINUM EXTRUSION NOTES                  UNLESS OTHERWISE SPECIFIED:                  - STANDARD ALUMINUM ASSOCIATION TOLERANCES APPLY                  - TYPICAL UNMARKED CORNER AND FILLET RADIUS:                  - TYPICAL WALL THICKNESS:                  - ESTIMATED AREA: SQ. INCHES                  - ESTIMATED WT. / FT.: LBS                  - ESTIMATED PERIMETER:</small></p>					<p><small>C.R. LAURENCE CO., INC.                  CRL MANUFACTURING                  2100 E. 38TH STREET                  LOS ANGELES, CA 90058</small></p>
<p><small>UNLESS OTHERWISE SPECIFIED:                  - DIMENSIONS ARE IN INCHES [mm]                  - TOLERANCES:                  DIMENSIONAL .X±.03 .X0±.01 .X00±.005                  ANGULAR ±0°30'                  - SURFACE TEXTURE VALUES IN MICRONS Ra</small></p>	<p><small>REV</small></p>	<p><small>DESCRIPTION</small></p>	<p><small>DATE</small></p>	<p><small>BY</small></p>	<p><small>PRODUCT LINE: JACKSON EXIT DEVICE</small></p>
<p><small>DWN BY: RM</small></p>	<p><small>DATE: 1.16.01</small></p>	<p><small>SCALE: NTS</small></p>	<p><small>MATERIAL:</small></p>		<p><small>SHEET NO. 1 OF 3</small></p>
<p><small>THIS DRAWING AND THE DESIGN SHOWN THEREIN IS THE PROPERTY OF C.R. LAURENCE CO., INC. AND USE OR COPIES THEREOF CANNOT BE MADE WITHOUT WRITTEN CONSENT</small></p>					<p><small>DRAWING NUMBER: 10-1003-1</small></p>
					<p><small>REV: F</small></p>

USE 301406PSC POWER SUPPLY CONVERTER MODULE ONLY WHEN USING 20E MOTORIZED LATCH RETRACTION PANIC WITH 302616/1406 POWER SUPPLY"

NOTE:

1. USED WITH JACKSON 20E SERIES ELECTRIFIED MOTORIZED LATCH RETRACTION PANIC DEVICES MANUFACTURED AFTER AUGUST 15, 2016.

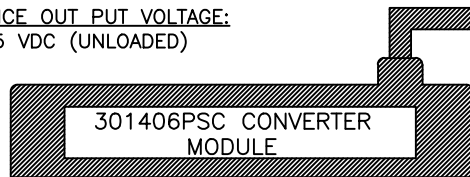
WIRE DIAGRAM



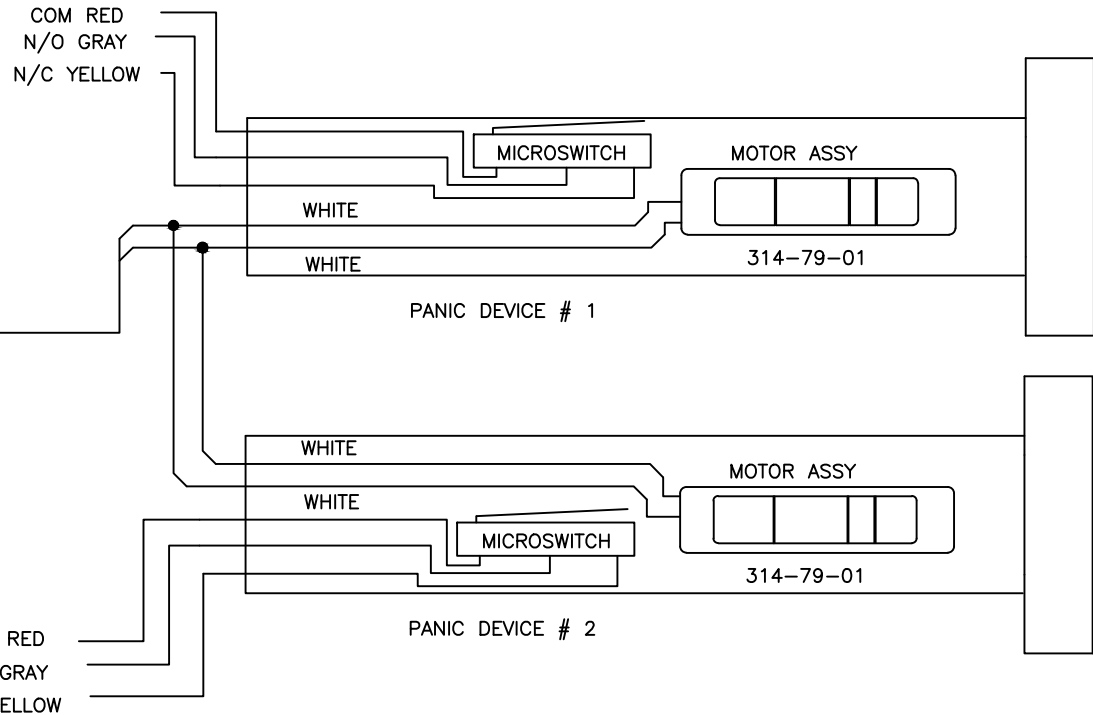
COM RED  
N/O GRAY  
N/C YELLOW

NOTES:  
DEVICE OUTPUT CONTAINS SHORT CIRCUIT, THERMAL, AND CURRENT LIMITING PROTECTION.

DEVICE OUT PUT VOLTAGE:  
25.5 VDC (UNLOADED)



MODULE DIMENSION  
4.55" L X 3.29" W X 1.25" H



NOTES

- 1.) WHEN CONTACTS OF TIME CLOCK OR OVERRIDE SWITCH CLOSE. EXIT DEVICE LATCH BOLTS WILL CLOSE.
- 2.) ● DENOTES A FIELD WIRE CONNECTION.

RECOMMENDED WIRE G <sub>a</sub>	
22	70 FEET
20	110 FEET
18	180 FEET
16	280 FEET
14	450 FEET
12	720 FEET

ALUMINUM EXTRUSION NOTES UNLESS OTHERWISE SPECIFIED: - STANDARD ALUMINUM ASSOCIATION TOLERANCES APPLY - TYPICAL UNMARKED CORNER AND FILLET RADIUS: _____ - TYPICAL WALL THICKNESS: _____ - ESTIMATED AREA: _____ SQ. INCHES - ESTIMATED WT. / FT.: _____ LBS - ESTIMATED PERIMETER: _____		C.R. LAURENCE CO., INC. CRL MANUFACTURING 2100 E. 36TH STREET LOS ANGELES, CA 90058		
G	ADDED SHEETS 2 & 3	12.08.16	MR	PART NUMBER: 10-1003-2
F	UPDATE NOTES, WIRE GA	8.14.08	RM	PART NAME: SCHEMATIC 20E SER.
REV	DESCRIPTION	DATE	BY	PRODUCT LINE: JACKSON EXIT DEVICE
DWN BY:	RM	DATE: 1.16.01	SCALE: NTS	MATERIAL:
UNLESS OTHERWISE SPECIFIED: - DIMENSIONS ARE IN INCHES (mm) - TOLERANCES: DIMENSIONAL: $\pm 0.03$ $\pm 0.01$ $\pm 0.005$ ANGULAR: $\pm 0.30^\circ$ - SURFACE TEXTURE VALUES IN MICRONS Ra				3rd ANGLE PROJECTION 
THIS DRAWING AND THE DESIGN SHOWN THEREIN IS THE PROPERTY OF C.R. LAURENCE CO., INC. AND USE OR COPIES THEREOF CANNOT BE MADE WITHOUT WRITTEN CONSENT				SHEET NO. 2 OF 3 DRAWING NUMBER: 10-1003-2 REV: F

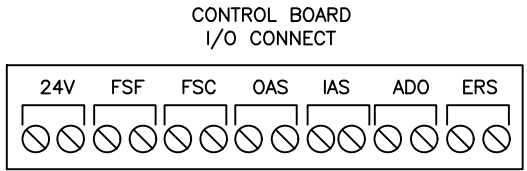
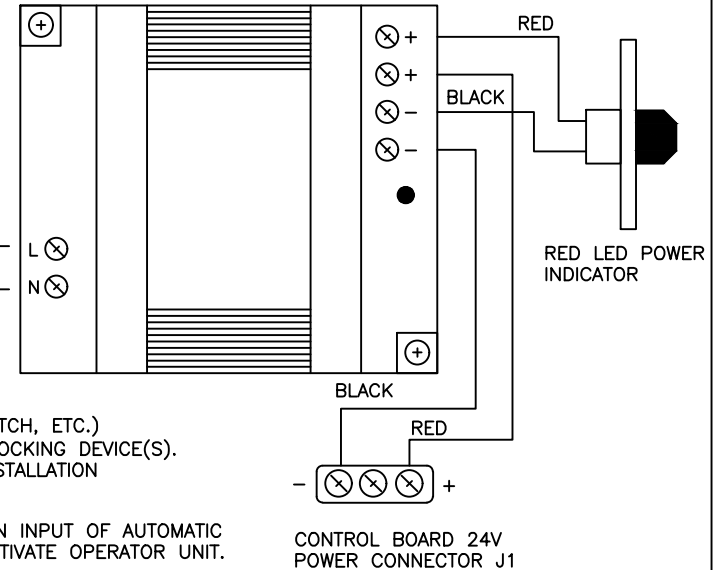
**POWER SUPPLY NO. 301420 ELECTRICAL SCHEMATIC:**

NOTE:  
1. USED WITH JACKSON 20E SERIES ELECTRIFIED MOTORIZED LATCH RETRACTION PANIC DEVICES MANUFACTURED AFTER AUGUST 15, 2016.

STRIP WIRE BACK 6 mm. WIRE MUST BE FULLY INSERTED INTO TERMINALS SO THAT NO BARE METAL IS EXPOSE. FLEXIBLE CABLE: ALL STRANDS MUST BE SECURED IN TERMINAL. USE COPPER CONDUCTORS ONLY.

TERMINAL SIZE RANGE: 12 VAC OR 240 VAC INPUT  
AWG24-10 FOR A TYPE  
AWG24-14 FOR B TYPE

CLASS 2 DOUBLE INSULATION.  
NO EARTH GROUND WIRE REQUIRED



RELEASING DEVICE (FIRE ALARM, EMERGENCY RELEASE SWITCH, ETC.)  
OPENING SWITCH CONTACTS WILL RELEASE ELECTRIFIED LOCKING DEVICE(S).  
NOTE: THIS INPUT IS DISABLED BY DEFAULT—REFER TO INSTALLATION INSTRUCTION.

RELAY N.O. DRY CONTACT OUTPUT TO "DOOR OPEN" ACTIVATION INPUT OF AUTOMATIC DOOR OPERATOR. MOMENTARY CLOSURE OF CONTACTS WILL ACTIVATE OPERATOR UNIT.

INSIDE ACTIVATION SWITCH FOR EXITING (HANDICAPPED WILL ACTUATOR, ECT.).  
MOMENTARY CLOSURE OF CONTACTS WILL SEQUENTIALLY RELEASE ELECTRIFIED LOCKING DEVICE(S) AND ACTIVATE OPERATOR UNITS.

OUTSIDE ACTIVATION SWITCH FOR ENTRY( HANDICAPED WALL ACTUATOR, ETC.).  
MOMENTARY CLOSURE OF CONTACTS WILL SEQUENTIALLY RELEASE ELECTRIFIED LOCKING DEVICE(S) AND ACTIVATING OPERATOR UNITS.

COM RED  
N/O GRAY  
N/C YELLOW

MICROSWITCH

MOTOR ASSY

314-79-01

TO FAIL SECURE ELECTRIFIED LOCK DEVICE.

TO FAIL SAFE ELECTRIFIED LOCK DEVICE.  
BOTH TRPE DEVICES CAN BE CONNECTED AND OPERATED SIMULTANEOUSLY.

UNSWITCHED AUXILIARY 24 VDC OUTPUT

PANIC DEVICE # 1

RECOMMENDED WIRE Gg	
22	70 FEET
20	110 FEET
18	180 FEET
16	280 FEET
14	450 FEET
12	720 FEET

<p>ALUMINUM EXTRUSION NOTES UNLESS OTHERWISE SPECIFIED: - STANDARD ALUMINUM ASSOCIATION TOLERANCES APPLY - TYPICAL UNMARKED CORNER AND FILLET RADIUS: - TYPICAL WALL THICKNESS: - ESTIMATED AREA: SQ. INCHES - ESTIMATED WT. / FT.: LBS - ESTIMATED PERIMETER:</p>		<p>C.R. LAURENCE CO., INC. CRL MANUFACTURING 2100 E. 38TH STREET LOS ANGELES, CA 90058</p>		
G	ADDED SHEETS 2 & 3	12.08.16	MR	PART NUMBER: 10-1003-3
F	UPDATE NOTES, WIRE GA	8.14.08	RM	PART NAME: SCHEMATIC 20E SER.
REV	DESCRIPTION	DATE	BY	PRODUCT LINE: JACKSON EXIT DEVICE
DWN BY: RM	DATE: 1.16.01	SCALE: NTS	MATERIAL:	
<p>UNLESS OTHERWISE SPECIFIED: - DIMENSIONS ARE IN INCHES [mm] - TOLERANCES: DIMENSIONAL .X±.03 .X0±.01 .X00±.005 ANGULAR ±0°30' - SURFACE TEXTURE VALUES IN MICRINCHES Ra</p>				<p>THIS DRAWING AND THE DESIGN SHOWN THEREIN IS THE PROPERTY OF C.R. LAURENCE CO., INC. AND USE OR COPIES THEREOF CANNOT BE MADE WITHOUT WRITTEN CONSENT</p>
<p>3rd ANGLE PROJECTION</p>			<p>SHEET NO. 3 OF 3 DRAWING NUMBER: 10-1003-3 REV: F</p>	