

INSTALLATION INSTRUCTIONS

CRL JACKSON 2095 RIM PANIC EXIT DEVICE



Phone: (800) 421-6144 • Fax: (866) 921-0531
crlaurence.com • usalum.com • crl-arch.com

ORDER OF ASSEMBLY AND INSTALLATION

Parts Identification 03 - 04

 Door Preparation 05

Layout Selection 06 - 08

Door Hardware Installation 09 - 12

 Installation of Rim Keyed Cylinder 09

 Installation of Exterior Trim (Optional) 10

 Installation of 2095 Rim Panic Exit Device 11

 Operations Check and Dogging Instructions 12

Frame Preparation and Strike Installation 13 - 14

 Package Parts Available 15

TOOLS REQUIRED

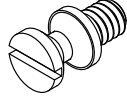
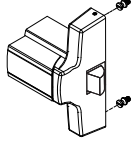
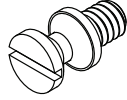
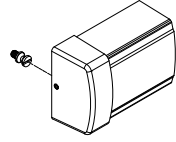
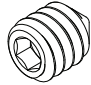
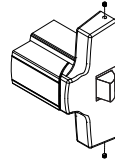
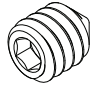
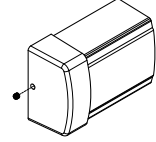
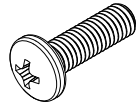
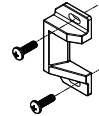
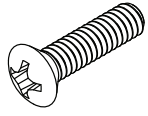
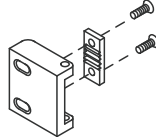
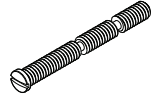
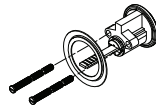

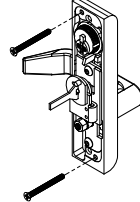
- | | |
|--|---------------------------------|
| Drill Bits: 1/8", 9/32", 5/16", 7/32",
5/8", 11/16", 1-3/8" | Framing Square |
| Taps: 1/4-20, 10-32, 8-32 | 3/4" Masking Tape |
| Tape Measure | Center Punch |
| Saw Horses | Flat Metal File |
| Cordless Drill | Round Metal File |
| Phillips Head Screwdriver | Jigsaw with Metal Cutting Blade |
| | Straight Edge |

NOTE: Any modifications, other than those specified in this document, could result in this product's failure to meet UL safety ratings and void the manufacturer's warranties.

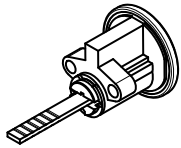
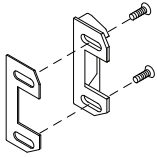
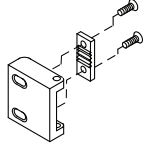
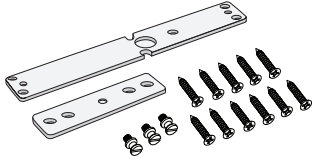
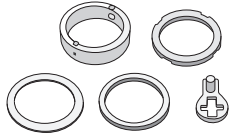
The rapidly changing technology within the architectural aluminum products industry demands that C.R. Laurence/U.S. Aluminum reserve the right to revise, discontinue, or change any product line, specification, or electronic media without prior written notice.

NOTE: Dimensions in parentheses () are millimeters unless otherwise noted.

PARTS IDENTIFICATION

FASTENERS PROVIDED					USED WITH
CALL OUT	QTY.	FASTENER	FASTENER DESCRIPTION	PART	PART NUMBER AND DESCRIPTION
(A)	2		1/4"-20 x 1/4" Shoulder Stud Screws		302622 Active Head Assembly 302627 Active Head Cover Package
(A)	1		1/4"-20 x 1/4" Shoulder Stud Screw		301266 Base End Cap Package
(B)	2		1/4"-20 x 5/16" Set Screw		302622 Active Head Assembly 302627 Active Head Cover Package
(B)	1		1/4"-20 x 5/16" Set Screw		301266 Base End Cap Package
(C)	2		#10-32 x 5/8" Oval Head Machine Screw		302436 "C" Type Surface Mounted Strike
(D)	2		#10-24 x 5/8" or 1-1/4" Oval Head Machine Screw		302501 "S" Type Surface Mounted Strike
(E)	2		1/4"-20 x 1-3/4" Breakaway Screws		DL911 Rim Keyed Cylinder
(F)	2		#10-32 x 2-1/8" FHMS		9500LV01 or 9500LV02 Optional Exterior Trim with Lever Assembly

PARTS IDENTIFICATION

PARTS LIST			
CALL OUT	PART	PART NO.	DESCRIPTION
G		DL911	Optional Rim Cylinder
H		302436	"C" Type Surface Mounted Strike
I		302501	"S" Type Surface Mounted Strike
J		302521	Wood Door Mounting Kit
K		302671	Cylinder Dogging Hardware Kit

DOOR PREPARATION

REMOVE DOOR AND PREPARE PER TEMPLATES

1. Place the door horizontally on the stands interior side up.
2. Mark the stile centerlines 1-1/8" (28.6) from the inside edge of the stile. **(Fig. 1)**
3. Mark the corresponding layouts on to the stile using the vertical centerlines at the specified height. **(Fig. 2)**

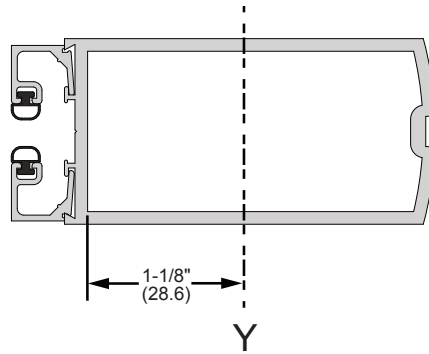


FIG. 1

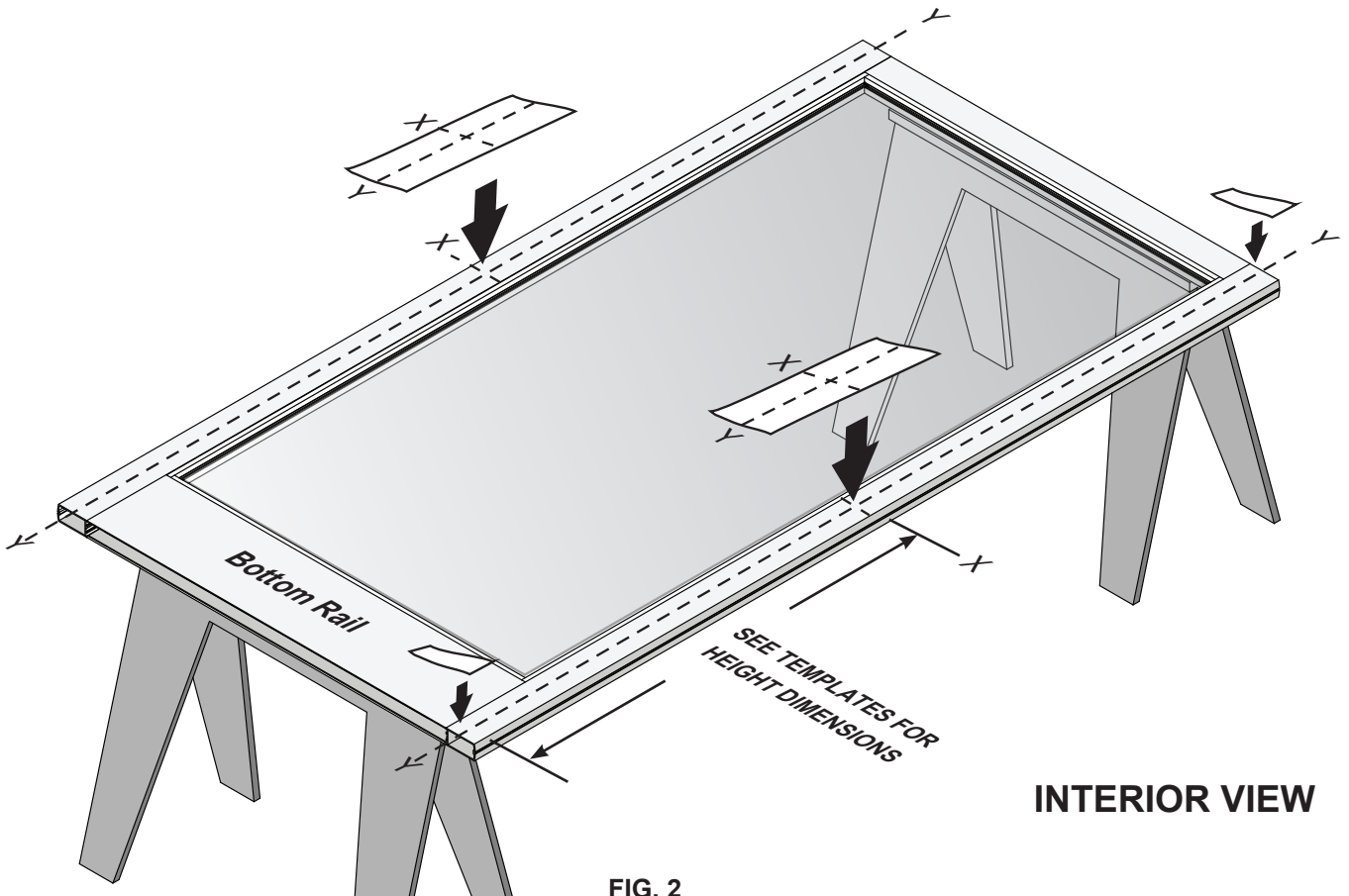


FIG. 2

INTERIOR VIEW

NOT TO SCALE

DOOR PREPARATION – LAYOUT SELECTION

2095 PANIC EXIT DEVICE INSTALLATION - ACTIVE STILE

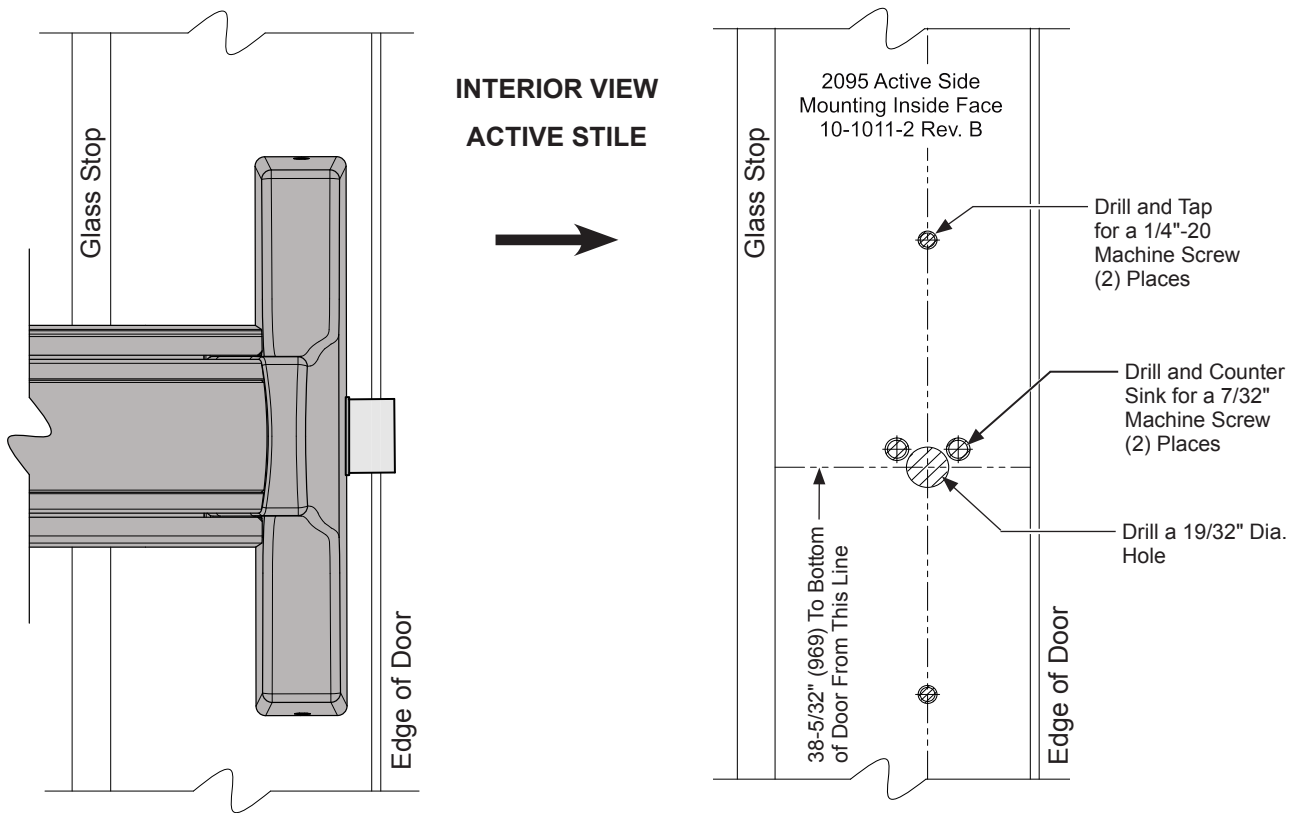


FIG. 3

Use Template from Box

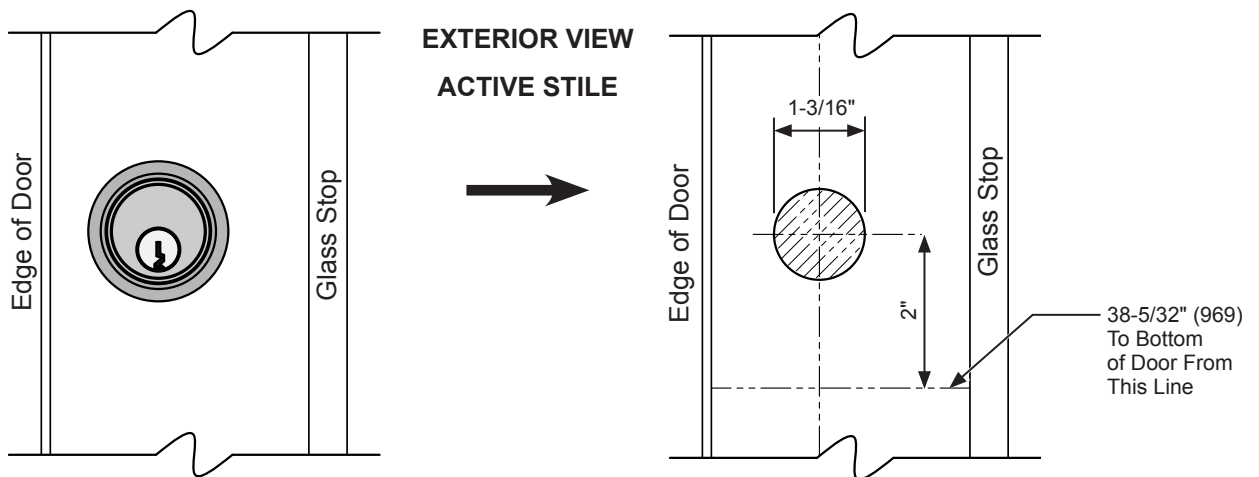


FIG. 4

Use Template from Box

NOT TO SCALE

DOOR PREPARATION – LAYOUT SELECTION

2095 PANIC EXIT DEVICE INSTALLATION - INACTIVE STILE

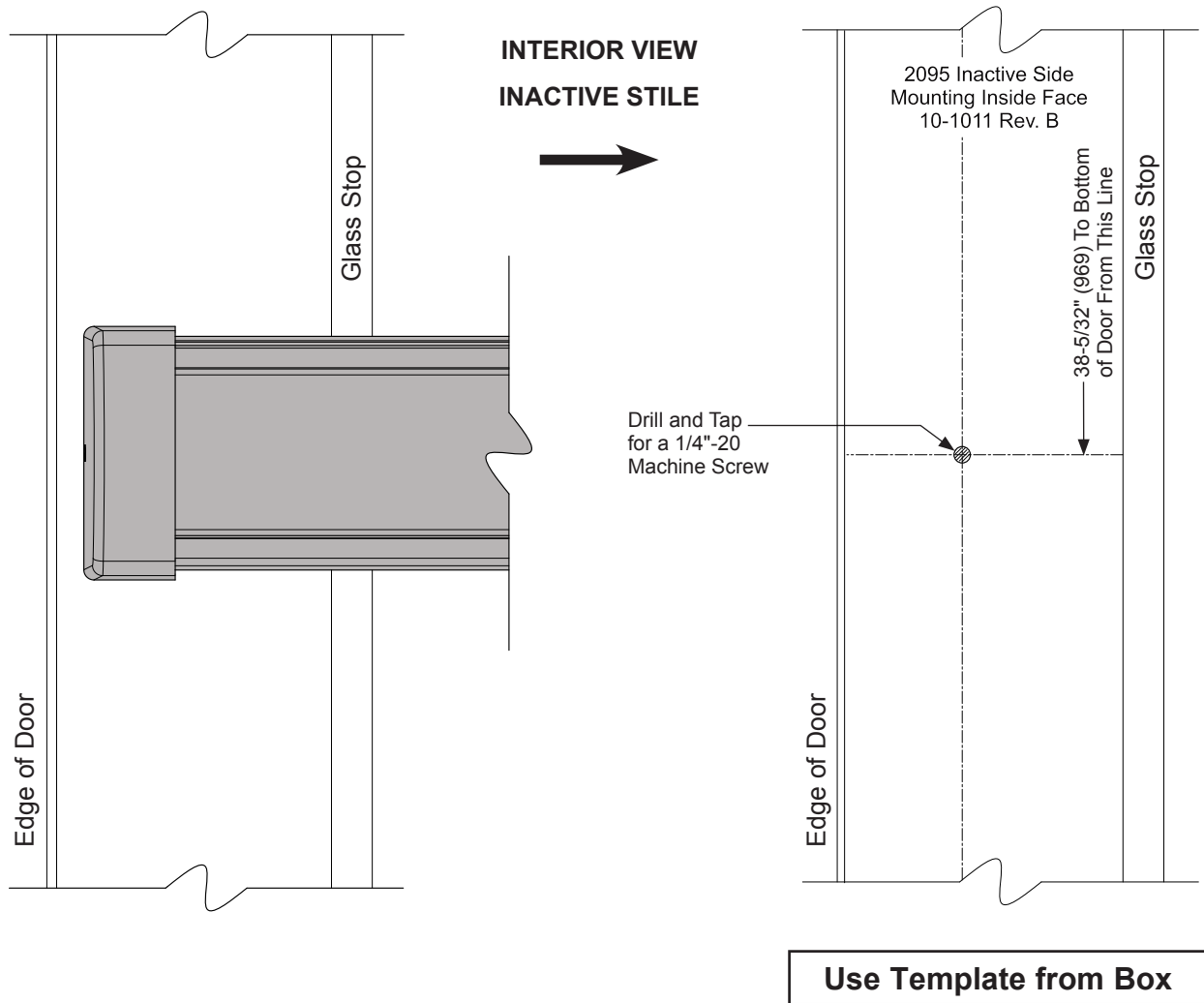
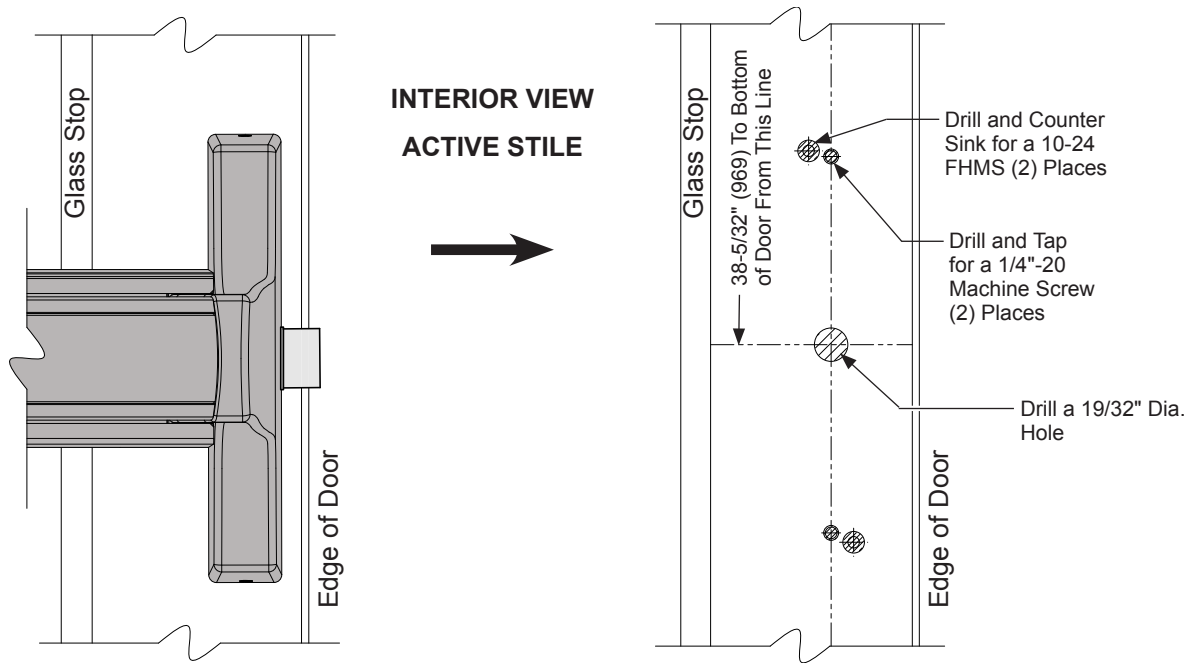


FIG. 5

NOT TO SCALE

DOOR PREPARATION – LAYOUT SELECTION

2095 PANIC EXIT DEVICE WITH EXTERIOR LEVER TRIM

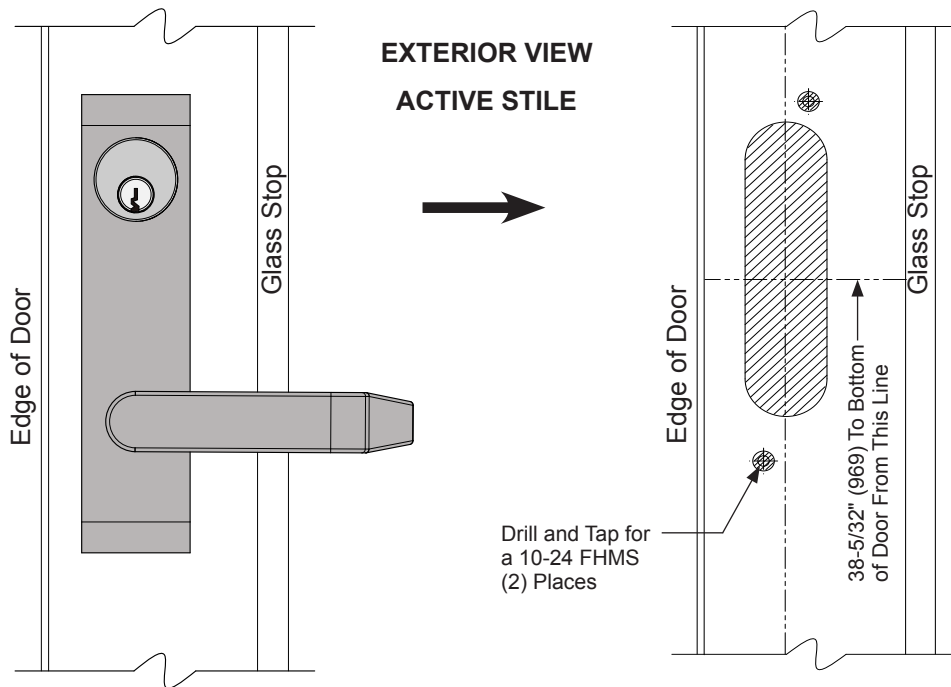


INTERIOR VIEW
ACTIVE STILE



FIG. 6

Use Template from Box



EXTERIOR VIEW
ACTIVE STILE



FIG. 7

Use Template from Box

NOT TO SCALE

DOOR HARDWARE INSTALLATION

INSTALLATION OF RIM KEYED CYLINDER

1. Insert the rim keyed cylinder assembly into the active stile and fasten with (E) (2) 1/4"-20 x 1-1/4" breakaway screws (Fig. 8).
2. Attach the (A) (2) 1/4"-20 x 1/4" shoulder stud screws to the active stile. (Fig. 8)
3. Attach (A) (1) 1/4"-20 x 1/4" shoulder stud screw on the Inactive Stile. (Fig. 8)

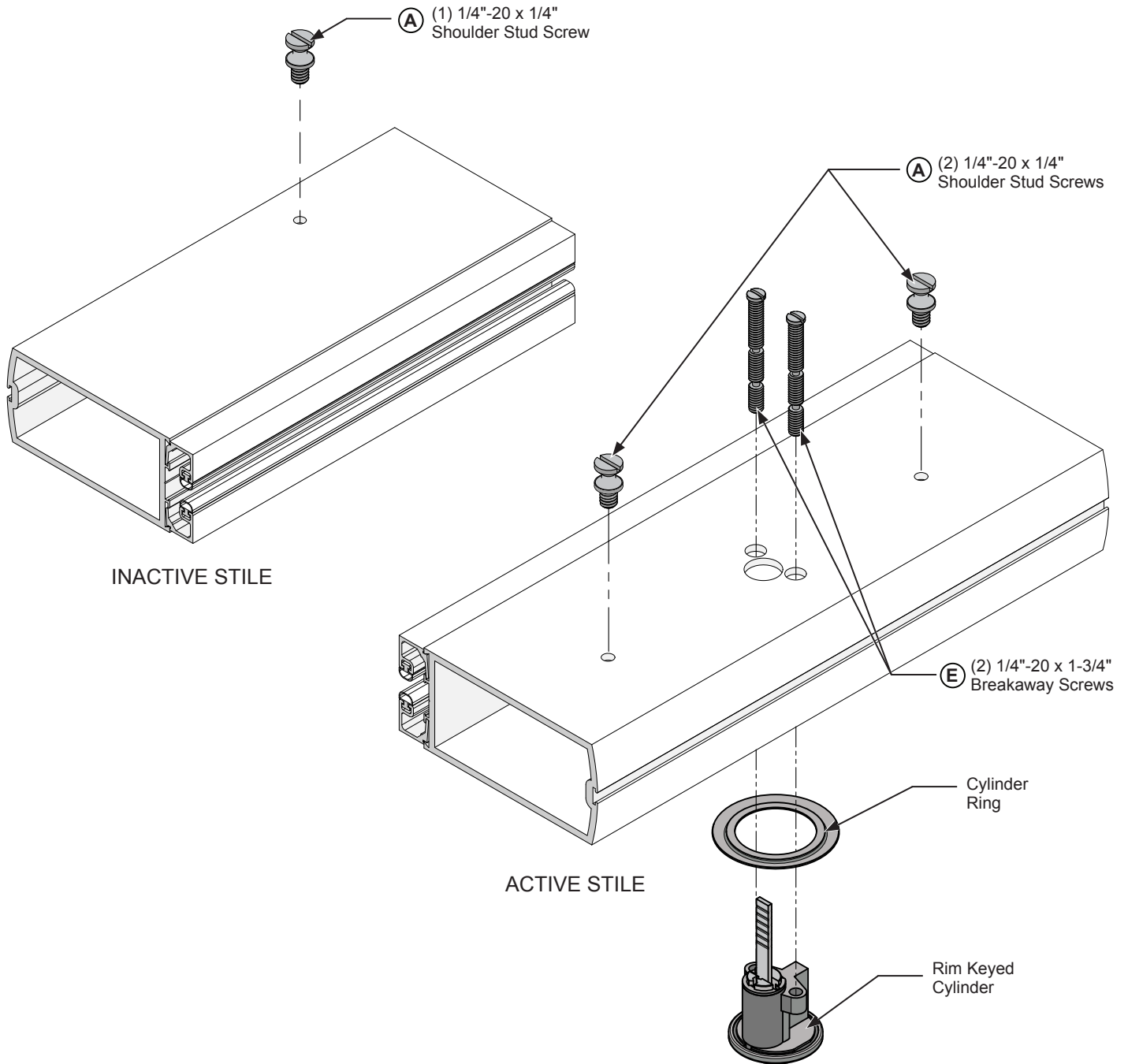


FIG. 8

NOT TO SCALE

DOOR HARDWARE INSTALLATION (CONTINUED)

INSTALLATION OF EXTERIOR LEVER TRIM (OPTIONAL)

NOTE: Exterior trim must be installed before attaching exit device.

Attach the exterior trim to the active stile with (F) (2) #10 x 2-1/8" FHMS.

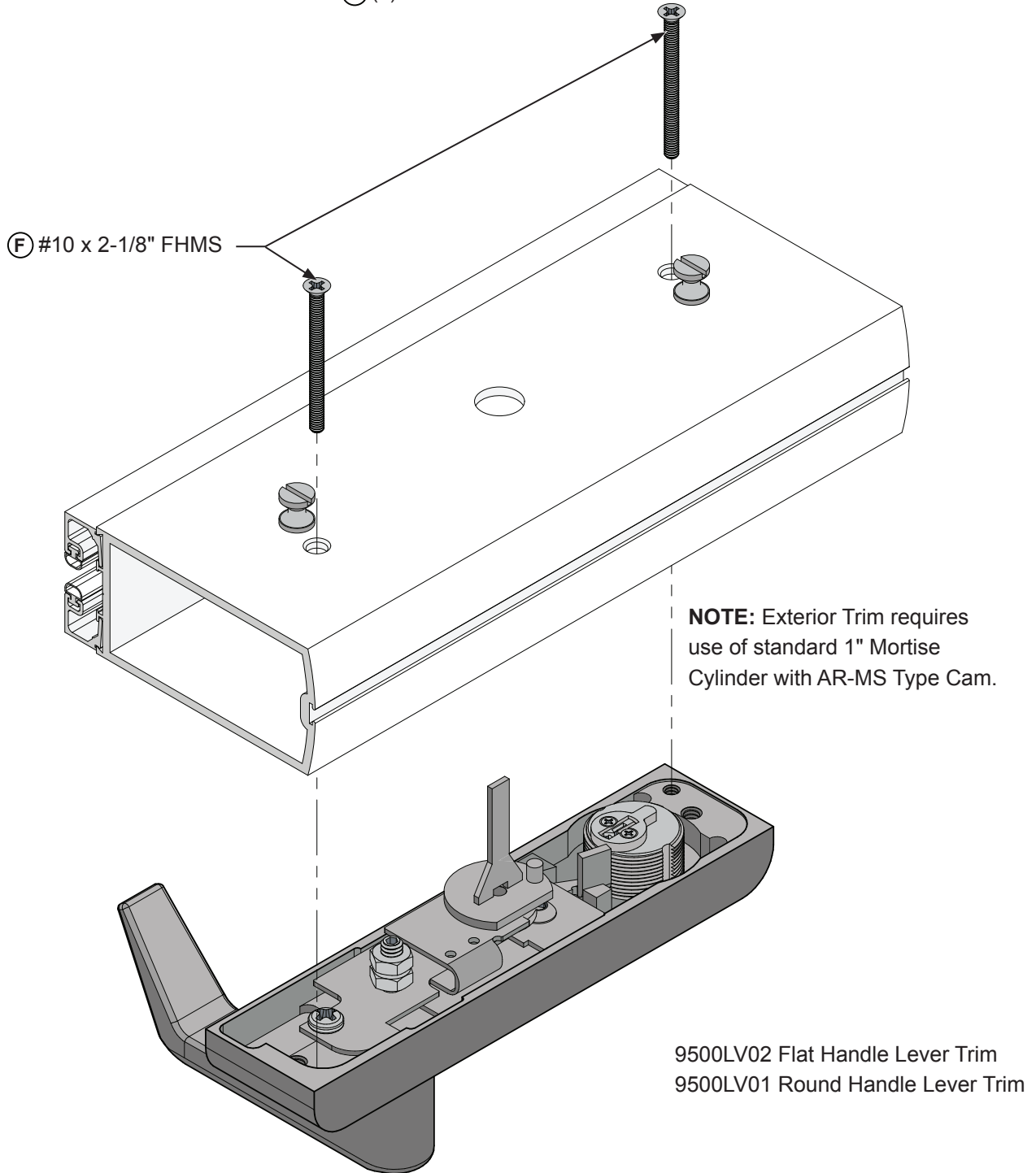


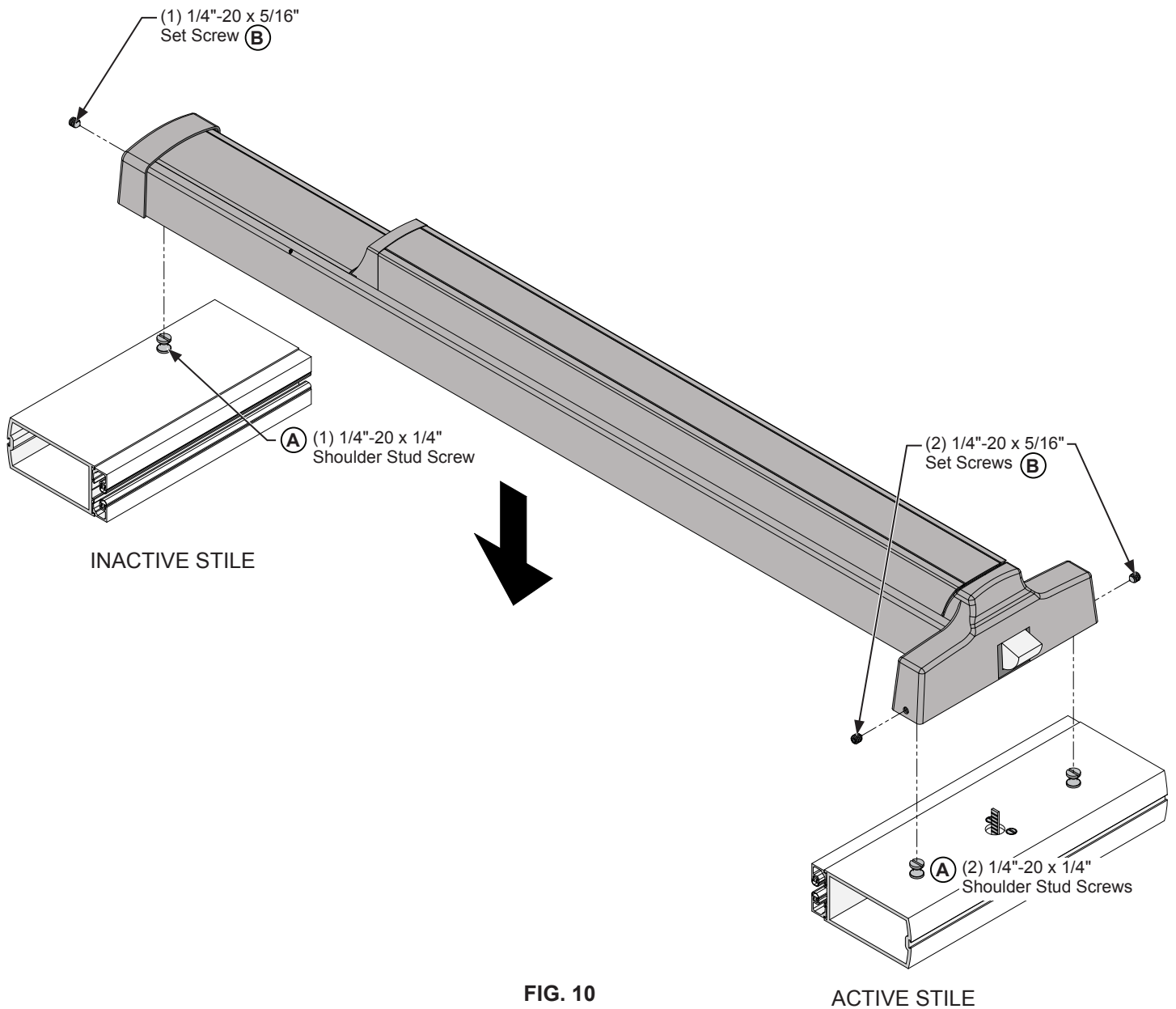
FIG. 9

NOT TO SCALE

DOOR HARDWARE INSTALLATION (CONTINUED)

INSTALLATION OF 2095 RIM PANIC EXIT DEVICE

1. Install the exit device on the door stiles.
2. Tighten the (B) (2) set screws and (B) (1) set screw on each side of the door stiles. (Fig. 10)



NOT TO SCALE

DOOR HARDWARE INSTALLATION (CONTINUED)

OPERATIONS CHECK AND DOGGING INSTRUCTIONS

OPERATIONS CHECK:

Depress the push bar to assure free movement of the latch.

DOGGING INSTRUCTIONS:

TO DOG Fully depress and hold the Touch Bar, push the Dogging Pin In and Release the Touch Bar. (Fig. 11)

TO UNDOG Push Dogging Pin In, Touch Bar will release.

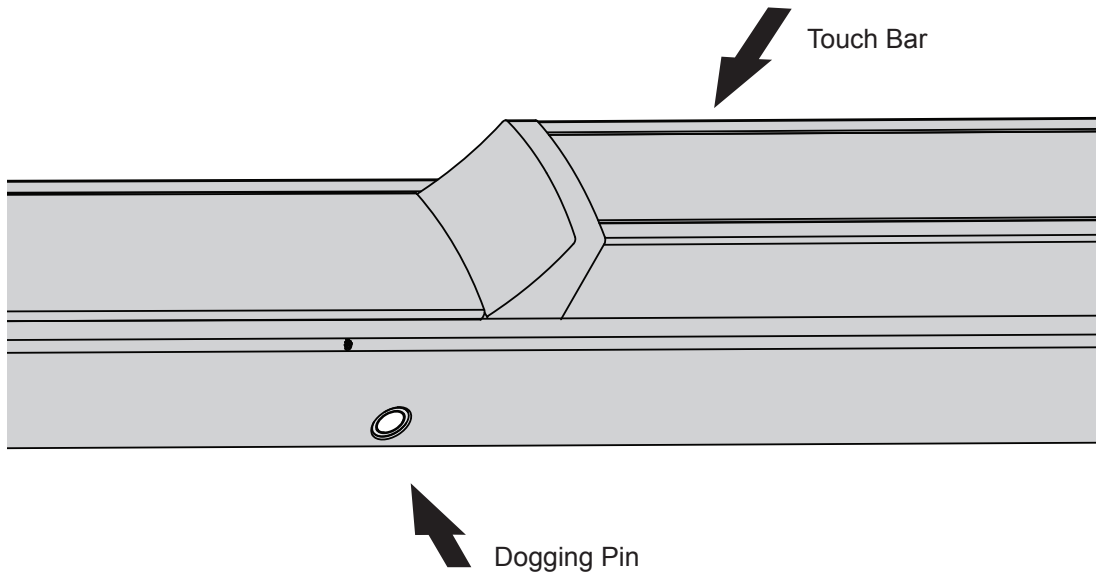


FIG. 11

NOT TO SCALE

FRAME PREPARATION

RE-ATTACH DOOR TO FRAME

1. Make sure that the panic exit device is in the dogged position. See page 12 for dogging instructions.
2. With the door in place and in the closed position, mark the center line locations on the door frame. **(Fig. 12)**
3. Finish the frame preparation using the layout drawing on page 14.

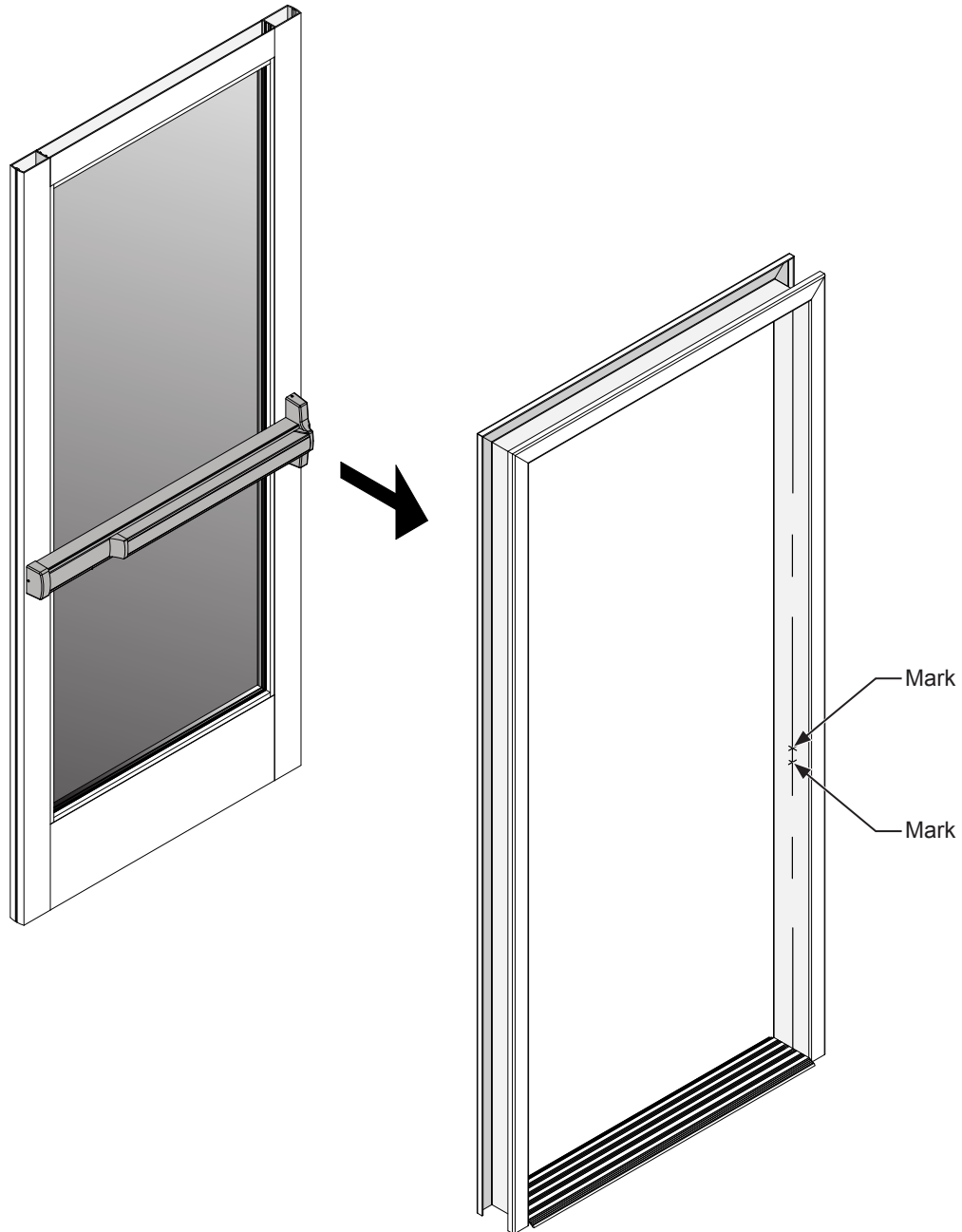


FIG. 12

NOT TO SCALE

FRAME PREPARATION (CONTINUED)

ATTACH THE STRIKE

Drill and tap for © (2) 10-32 x 5/8" Oval HD MS on the mark made in step 2 of the frame preparation on page 13. Attach the strike to the door jamb using © (2) 10-32 x 5/8" Oval HD MS. (Fig. 13)

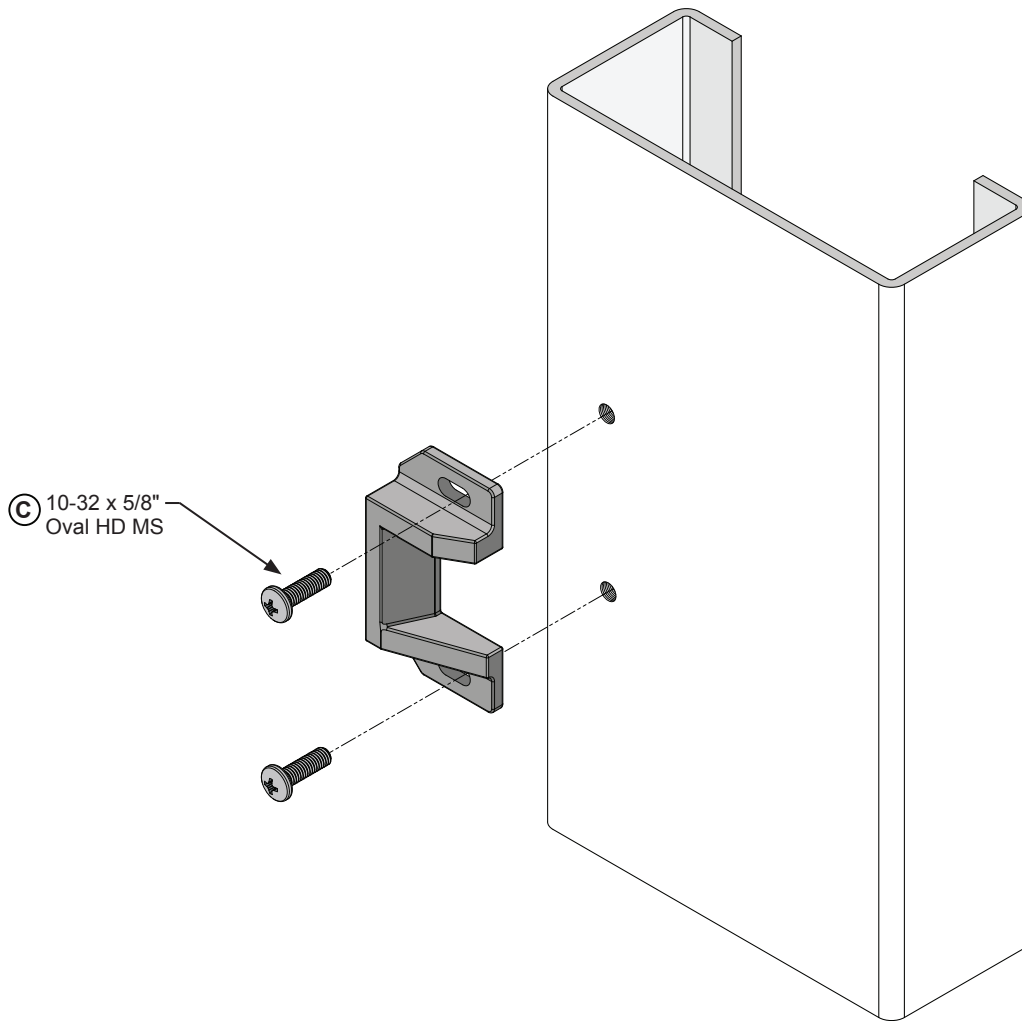
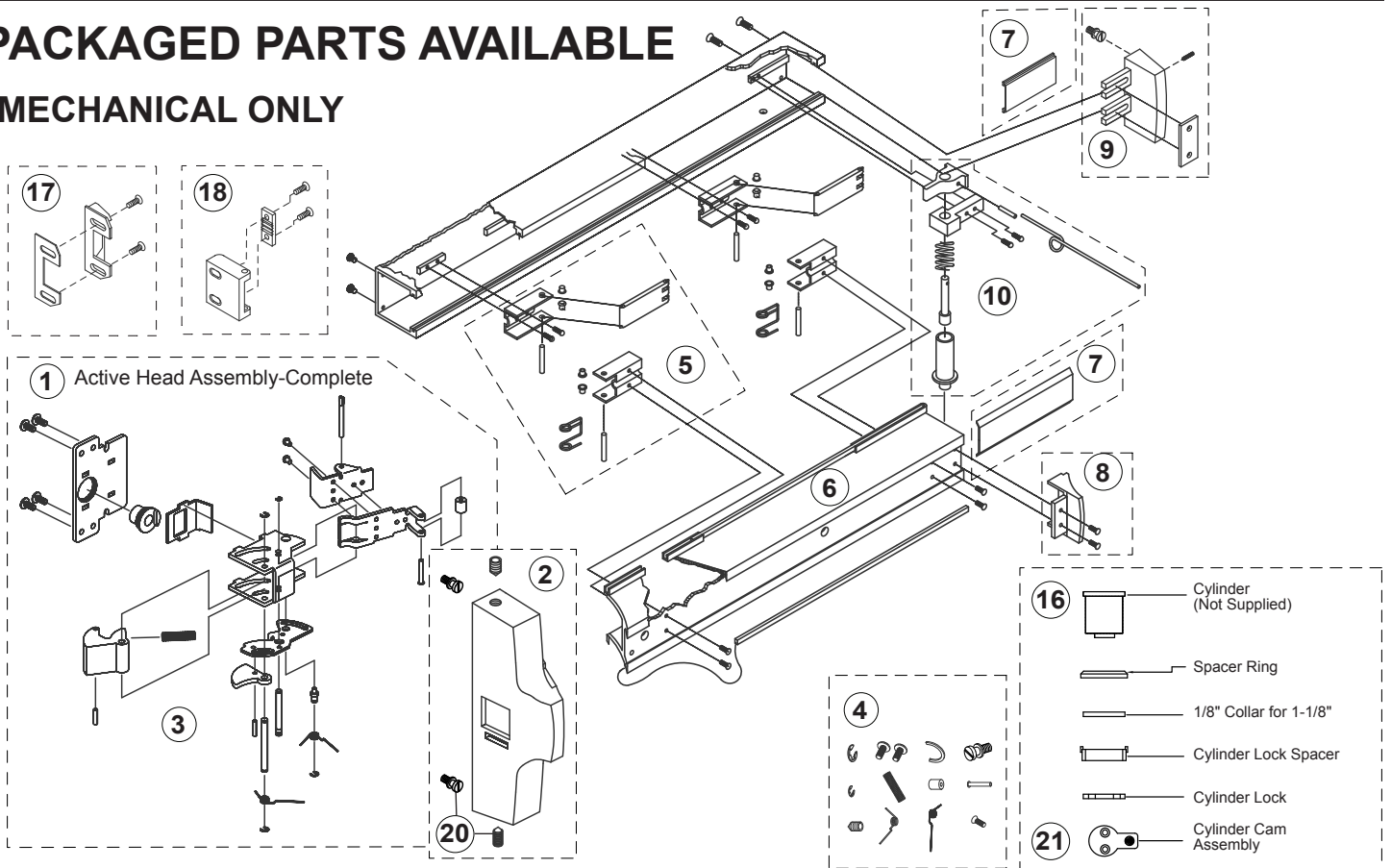


FIG. 13

NOT TO SCALE

PACKAGED PARTS AVAILABLE
MECHANICAL ONLY



Assembly No.	Part No.	Description
1	302622	Active Head Assembly-Complete
2	302627	Active Head Cover Package
3	302635	Active Head Base Plate Assembly
4	302610	Head Assembly Hardware Package
5	301064	Control Arm Hardware Package
6	302480PKG	Push-Pad Package
7	301063	Base Cover Plate Package
8	301265	Push-Pad End Cap Package
9	301266	Base End Cap Package
10	302467	LHRB-Dogging Assembly
Not Shown	302462	RHRB-Dogging Assembly
16	302671	Cylinder Dogging Hardware Package
17	302436628	"C" Type-Surface Mounted Strike
18	302501	"S" Type-Surface Mounted Strike
20	30SBPKG	Mounting Shoulder Bolt and Set Screw Package (12 Pkg.)
21	302572	Cylinder Dogging Cam