

# INSTALLATION INSTRUCTIONS

## CRL JACKSON 3186

### MID-PANEL CONCEALED VERTICAL ROD PANIC EXIT DEVICE



---

Phone: (800) 421-6144 • Fax: (866) 921-0531  
crlaurence.com • usalum.com • crl-arch.com

---

## ORDER OF ASSEMBLY AND INSTALLATION

|                                                             |         |
|-------------------------------------------------------------|---------|
| Tools Required .....                                        | 02      |
| Parts Identification .....                                  | 03 - 04 |
| Door Preparation .....                                      | 05 - 08 |
| Remove Door .....                                           | 05      |
| 3186 Bottom Guide and Upper Pullman Latch Preparation ..... | 06      |
| 3186 Infill Actuator Cut - Out .....                        | 07      |
| 3186 Optional Lock and Mounting Pad Preparation .....       | 08      |
| Door Hardware Installation .....                            | 09 - 11 |
| Insert Rod and Case .....                                   | 09      |
| Install Optional Mortise Cylinder .....                     | 10      |
| Mid Panel Installation .....                                | 11      |
| Dogging Instructions .....                                  | 12      |
| Push Bar Installation .....                                 | 13 - 14 |
| Frame Preparation .....                                     | 15 - 16 |
| Re - Attach Door to Frame .....                             | 15      |
| Attach Upper Strike and Bottom Strike .....                 | 16      |
| Door Hardware Adjustments .....                             | 17      |
| Packaged Parts Available .....                              | 18      |

---

## Tools Required

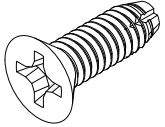
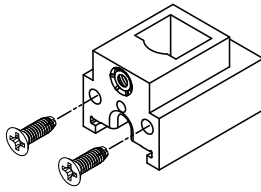
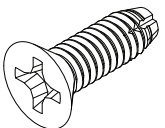
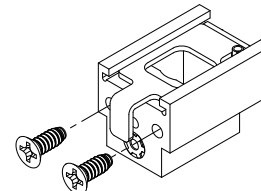
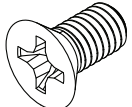
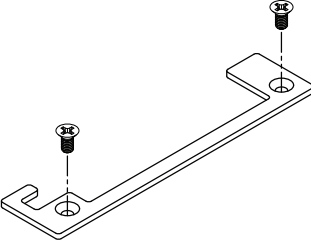
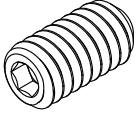
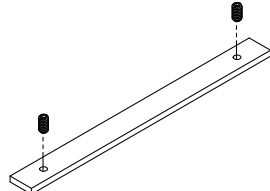
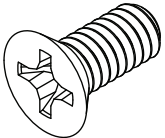
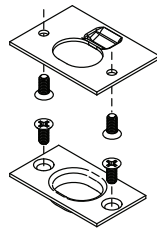
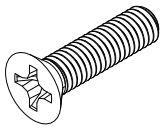
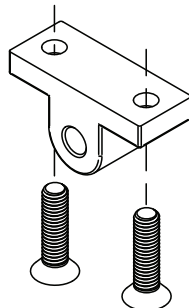
|                                                     |                                 |
|-----------------------------------------------------|---------------------------------|
| Drill bits: 1/8", 3/32", 1/2", 33/64", 1", 1-13/32" | Framing square/straight edge    |
| Tap: 10-32, 8-32                                    | Masking tape                    |
| Tape measure                                        | Center punch                    |
| Saw horses                                          | Flat File                       |
| Drill                                               | Round File                      |
| Phillips #2 screwdriver                             | Jigsaw with metal cutting blade |
| Standard screwdriver                                |                                 |

The rapidly changing technology within the architectural aluminum products industry demands that C.R. Laurence/U.S. Aluminum reserve the right to revise, discontinue, or change any product line, specification, or electronic media without prior written notice.

**NOTE:** Dimensions in parentheses ( ) are millimeters unless otherwise noted.

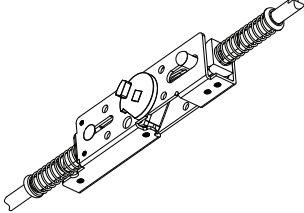
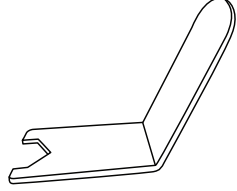
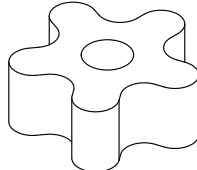
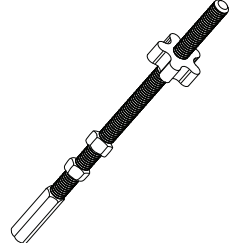

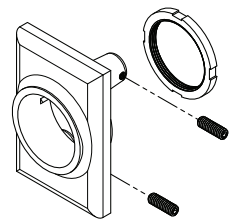
**CRL JACKSON PANIC / EXIT DEVICES - 3186 CONCEALED VERTICAL ROD**

**PARTS IDENTIFICATION**

| FASTENERS PROVIDED |      |                                                                                     |                                          |                                                                                      |                                         |
|--------------------|------|-------------------------------------------------------------------------------------|------------------------------------------|--------------------------------------------------------------------------------------|-----------------------------------------|
| CALL OUT           | QTY. | FASTENER                                                                            | FASTENER DESCRIPTION                     | PART                                                                                 | USED WITH PART NUMBER                   |
| (A)                | 2    |    | 8-32 x 1/2" Flat Head Self Tapping Screw |    | 30320<br>Bottom Bolt Guide Assembly     |
| (B)                | 2    |    | 8-32 x 1/2" Flat Head Self Tapping Screw |    | 30934<br>Top Bolt Guide Assembly        |
| (C)                | 2    |    | 10-32 x 3/8" Flat Head Machine Screw     |   | 30095/96<br>Locator Plate               |
| (D)                | 2    |  | 8-32 x 5/16" Set Screw                   |  | 30095/96<br>Lock Bar                    |
| (E)                | 4    |  | #10-32 x 3/8" FH Machine Screw           |  | 301084<br>Top and Bottom Strike Package |
| (F)                | 2    |  | #10-32 x 3/4" FH Machine Screw           |  | 30824<br>Trip Bracket Package           |

**NOTE:** any modifications to this product, other than those specified in this document may void the warranty as this product will no longer meet the UL safety rating requirements this product was tested and intended for.

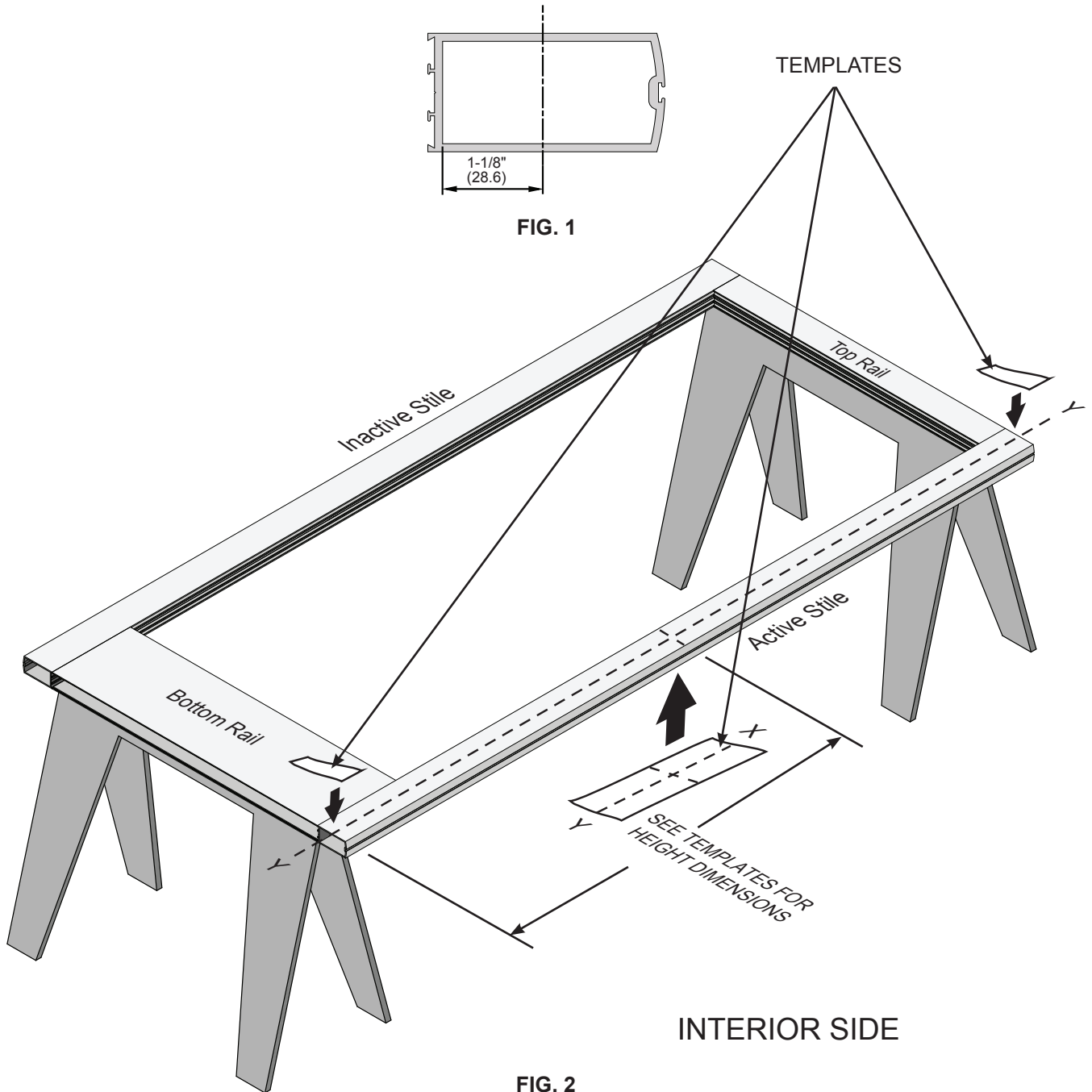
PARTS IDENTIFICATION

| PARTS LIST |                                                                                     |                                |                                           |
|------------|-------------------------------------------------------------------------------------|--------------------------------|-------------------------------------------|
| CALL OUT   | PART                                                                                | PART NO.                       | DESCRIPTION                               |
| Ⓒ          |    | 30077J (LHRB)<br>30080J (RHRB) | Rod and Case Assembly                     |
| Ⓓ          |    | 30PBAW                         | Bolt Adjustment Wrench                    |
| Ⓔ          |   | 301552PKG                      | Rod Silencers (12 Pkg.)                   |
| Ⓙ          |  | 301347<br>301348               | Optional 12" and 24"<br>Top Rod Extender  |
| Ⓚ          |  | DL2170                         | Optional 1" Single<br>Mortise Cylinder    |
| Ⓛ          |  | 30821B                         | Optional Mortise Cylinder<br>Mounting Pad |

# DOOR PREPARATION

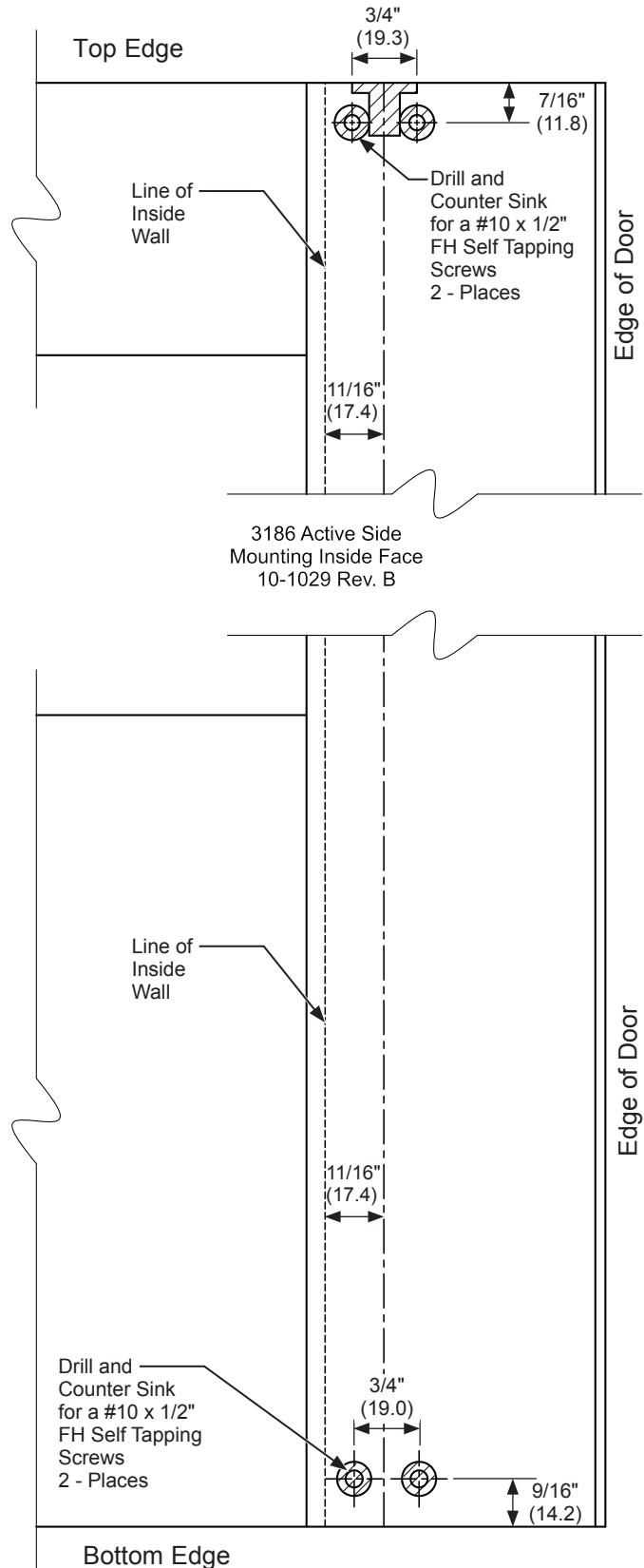
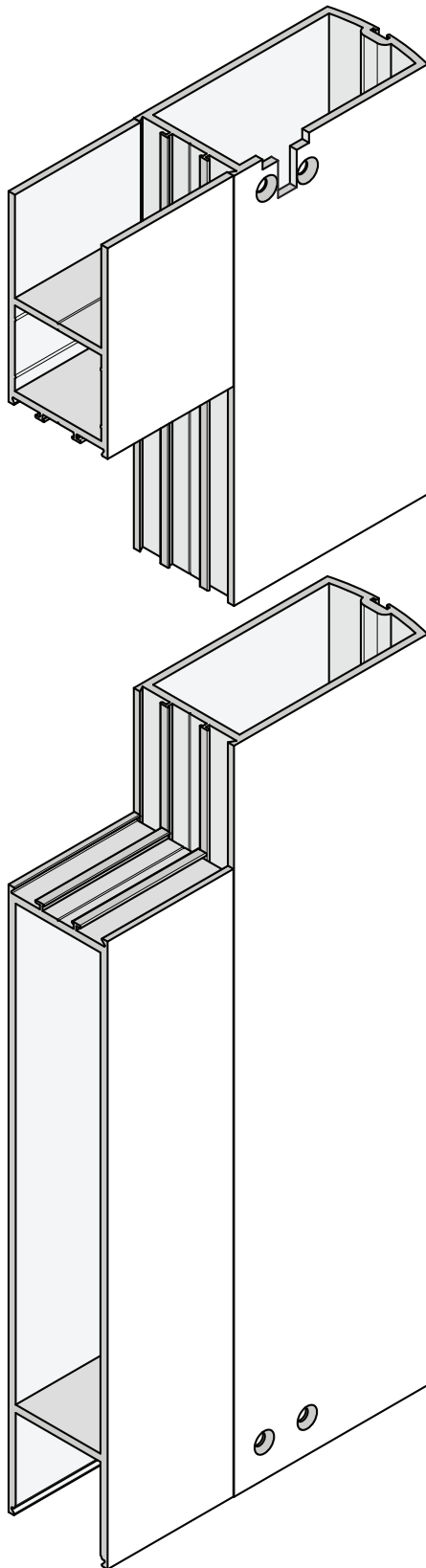
PREPARE THE DOOR PER ATTACHED LAYOUT DRAWING 10-1029

1. Place the door horizontally on the stands interior side up.
2. Mark the stile centerlines 1-1/8" (28.6) from the inside edge of the stile. **(Fig. 1)**
3. Mark the corresponding layouts on the stile using the vertical centerline at the specified height. **(Fig. 2)**
4. Attach corresponding templates. **(Fig. 2)**



NOT TO SCALE

# DOOR PREPARATION – BOTTOM GUIDE AND PULLMAN LATCH

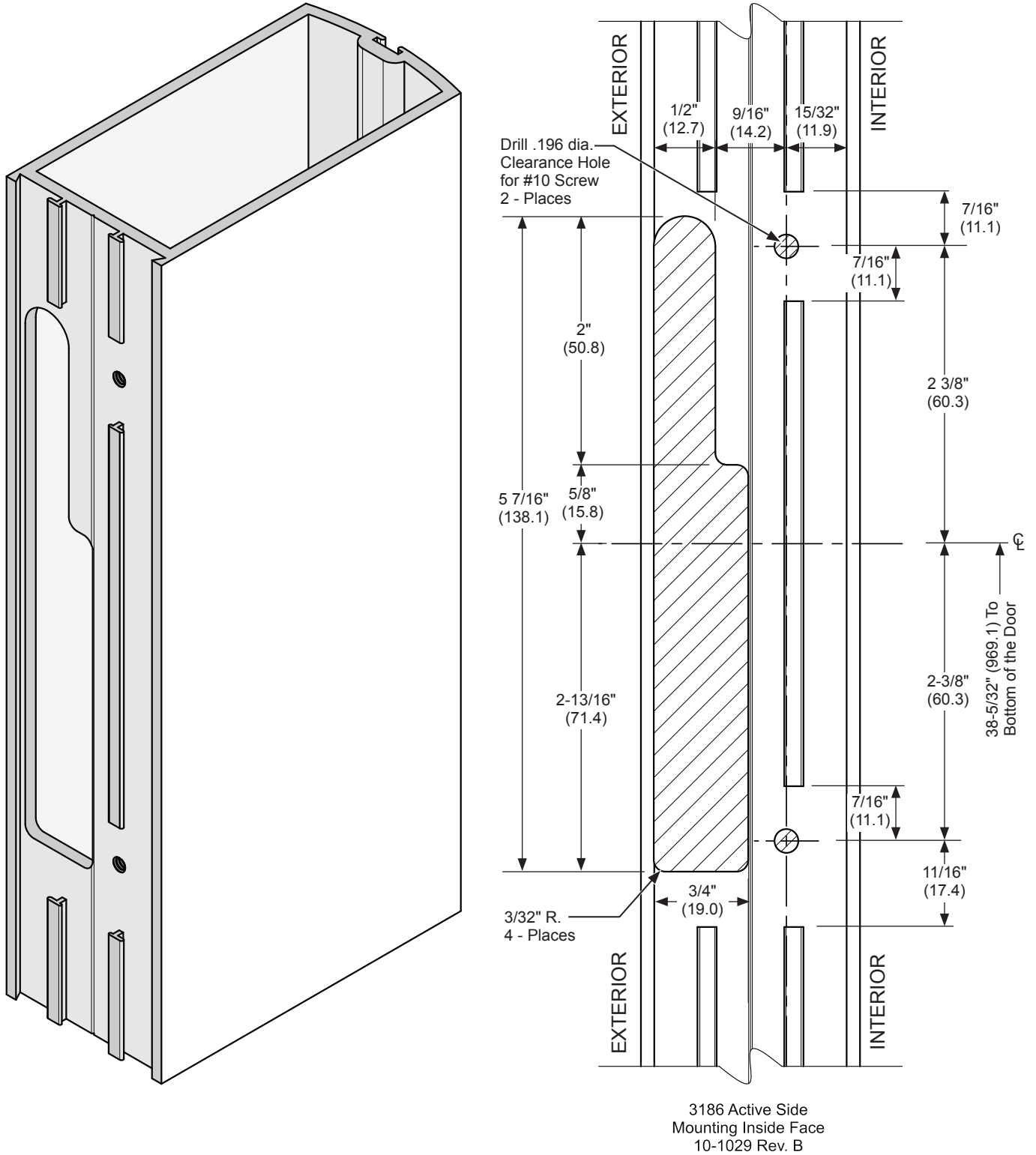


INTERIOR SIDE ON ACTIVE STILE

FIG. 3

NOT TO SCALE

DOOR PREPARATION – INFILL ACTUATOR CUT - OUT

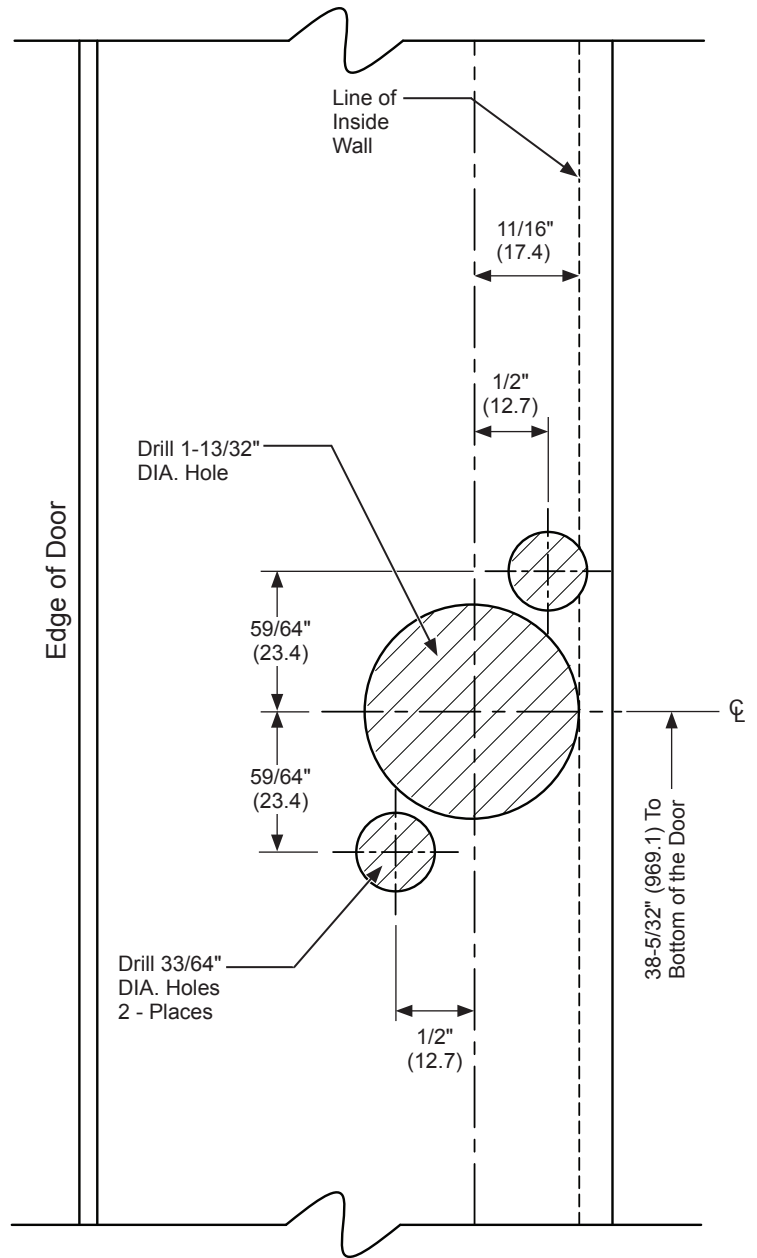
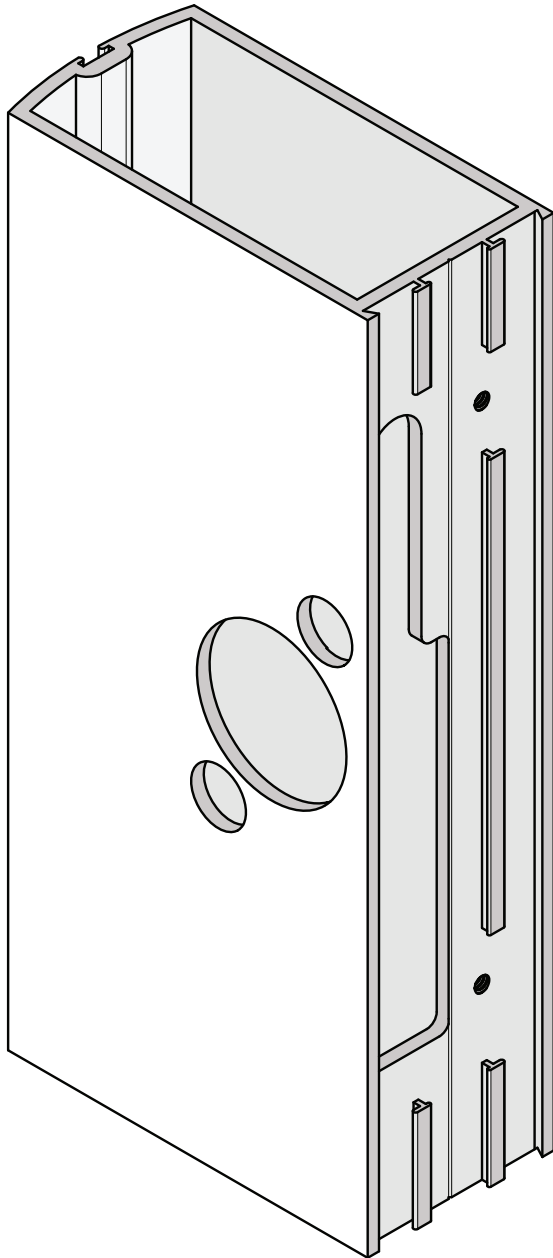


SECTION SIDE ON ACTIVE STILE

FIG. 4

NOT TO SCALE

# DOOR PREPARATION – OPTIONAL LOCK AND MOUNTING PAD



3186 Active Side  
Mounting Inside Face  
10-1029 Rev. B

## EXTERIOR SIDE ON ACTIVE STILE

FIG. 5

NOT TO SCALE



# DOOR HARDWARE INSTALLATION (CONTINUED)

## INSERT ROD AND CASE

1. Insert the panic device rod and case assembly into active stile (**Fig. 7**).
2. Align the rod case assembly with the locator plate and fasten with (2) 10-32 x 3/8" **C** flat head machine screws. (**Fig. 9**)
3. Adjust the bottom bolt, to extend 1/2" past the bottom stile.
4. Install the top bolt guide assembly using **B** (2) #10 x 1/2" FH self threading screws at the top of the active door stile. The (2) holes face the interior side.
5. Install the bottom bolt guide assembly using (2) **A** #10 x 1/2" Flat Head self threading screws at the bottom of the active door stile. The (2) holes face the interior side of stile.

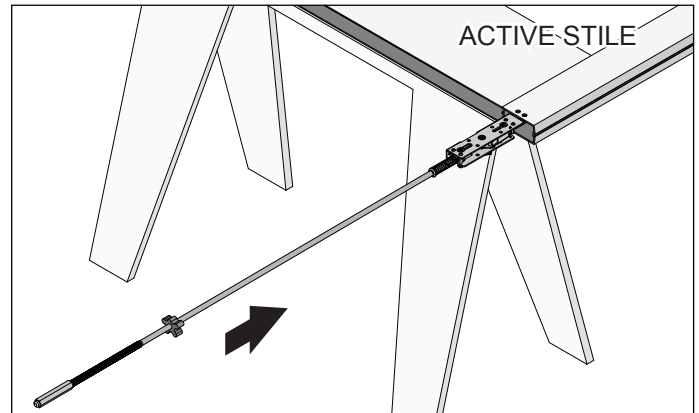


FIG. 7

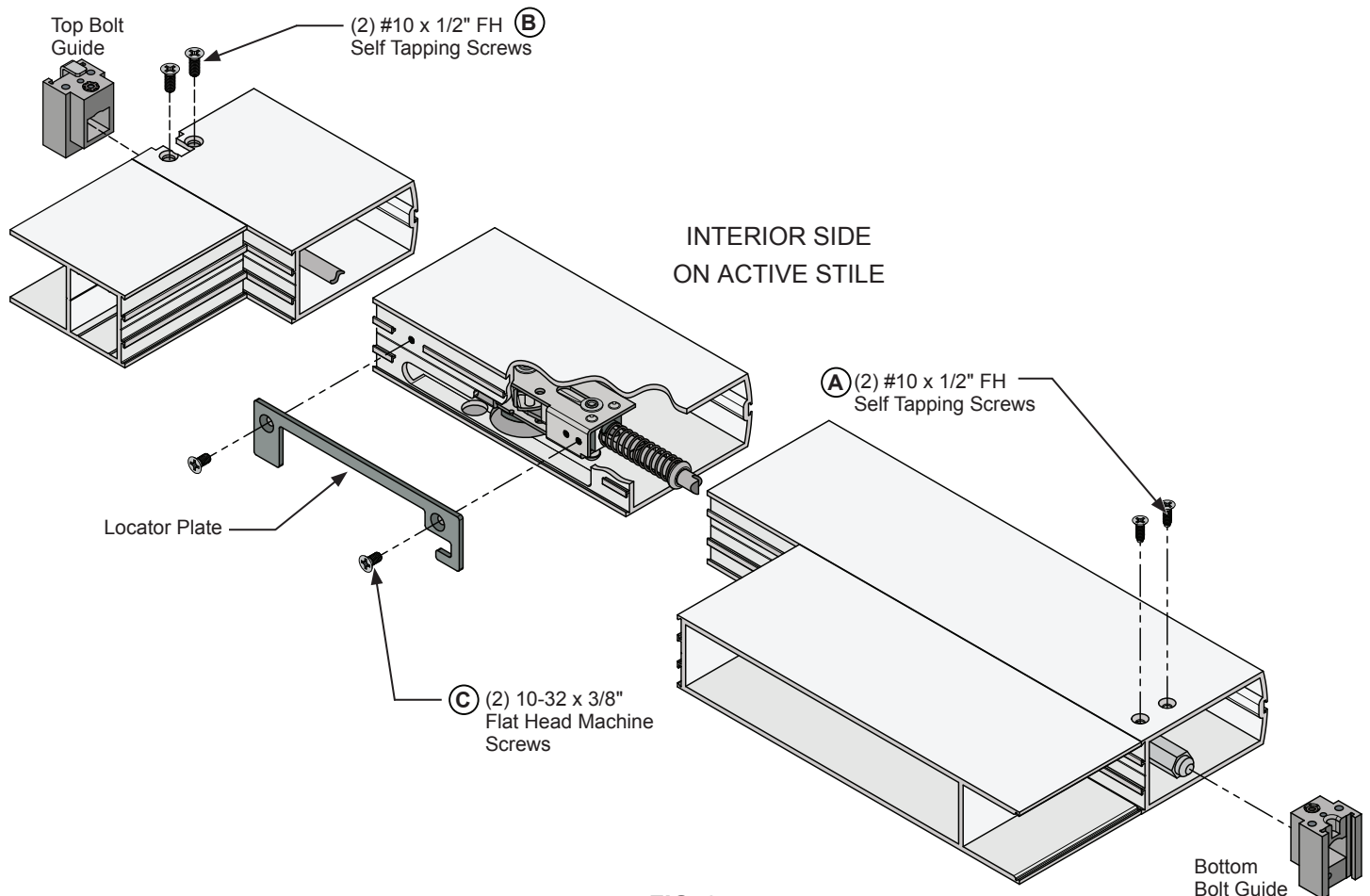


FIG. 9

NOT TO SCALE

## DOOR HARDWARE INSTALLATION (CONTINUED)

### INSTALL THE MORTISE CYLINDER AND MOUNTING PAD

1. Insert the Mortise Cylinder into the mounting pad and secure with the Cylinder Lock Ring Included. Slide in the mounting pad shim if necessary. **(Fig.10)**
2. Attach to the exterior of the Active Stile with **(D)** (2) 8-32 x 1/2" set screws. **(Fig.11)**

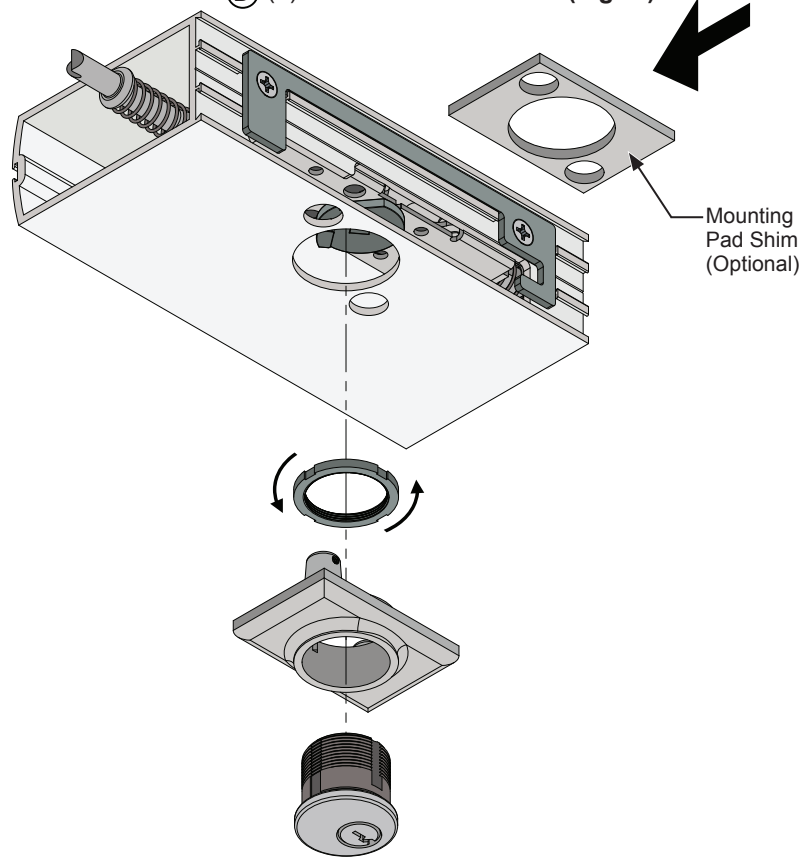


FIG. 10

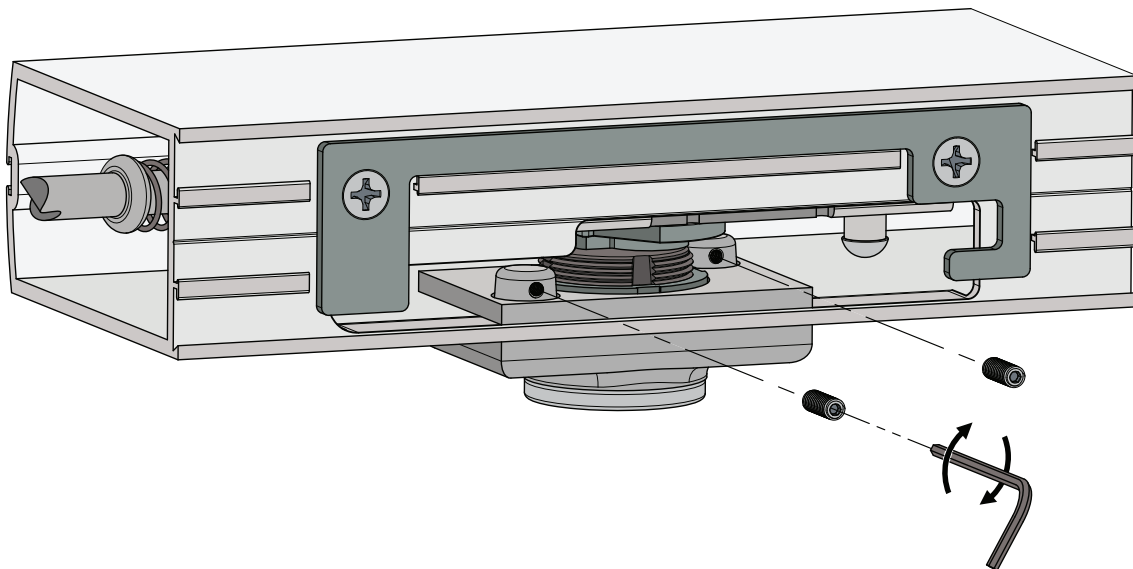


FIG. 11

NOT TO SCALE

## MID PANEL INSTALLATION

1. Install the Mid Panel. (Fig.12)
2. Attach the Mid Panel to the door Stiles with (4) angle brackets (supplied by others) and (16) 10-32 x 3/8" Flat Head Machine Screws (supplied by others). (Fig.13)

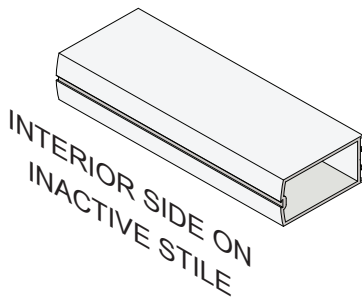
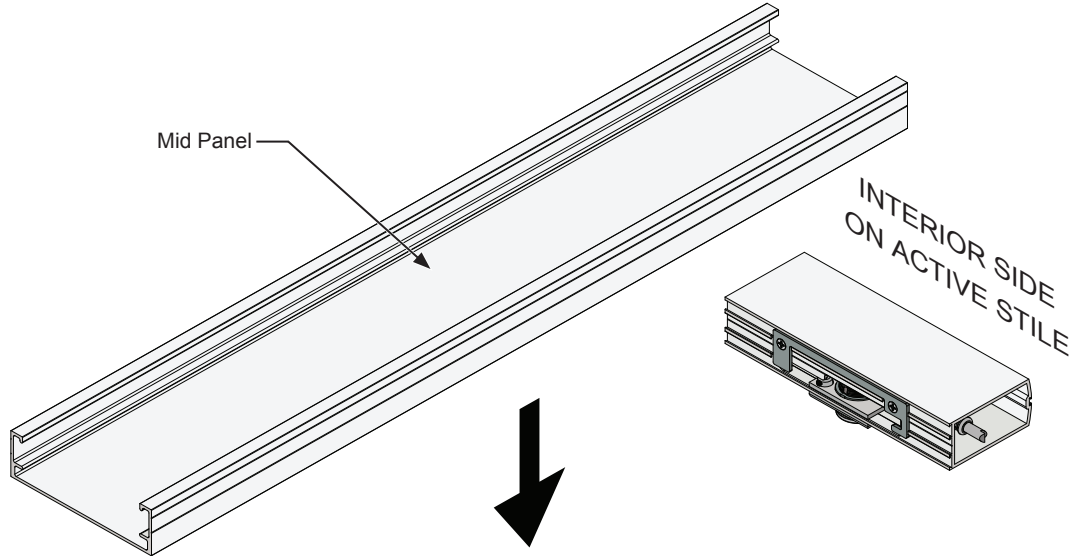


FIG. 12

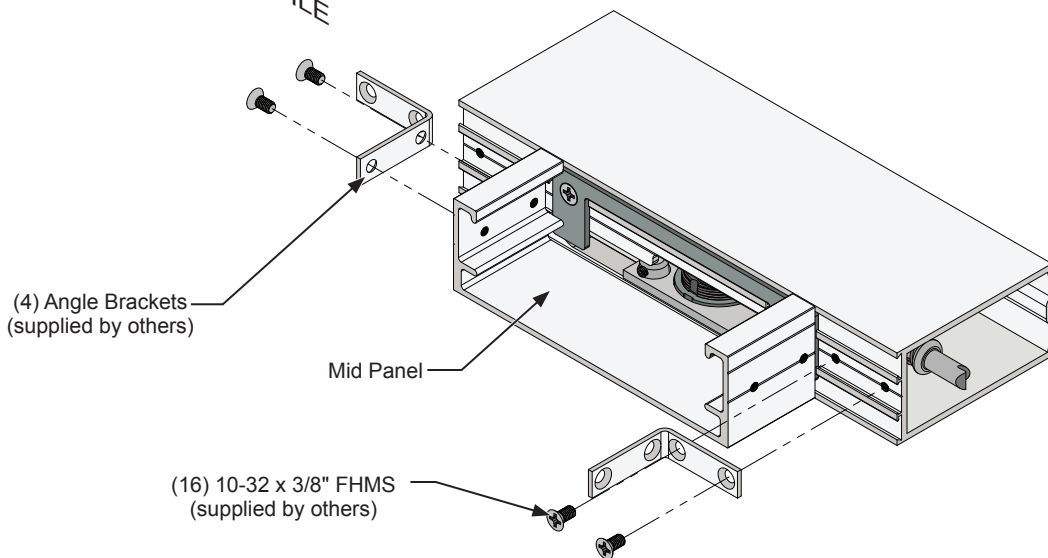


FIG. 13

NOT TO SCALE

# DOGGING INSTRUCTIONS

TO DOG: Insert 1/8" Hex Dogging key (Cat No. 302796) Press push bar, turn the key counter clockwise until it stops pull the key out.

TO UNDOG: Insert Hex Dogging key, turn clockwise until it stops, push bar will release. Pull key out.

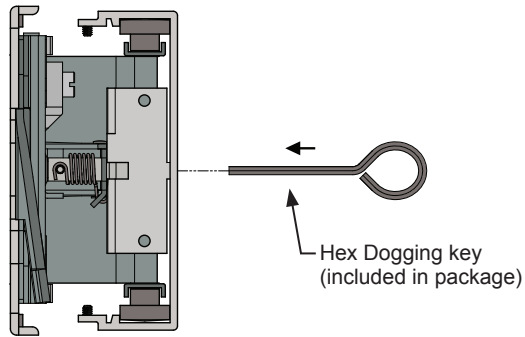


FIG. 14

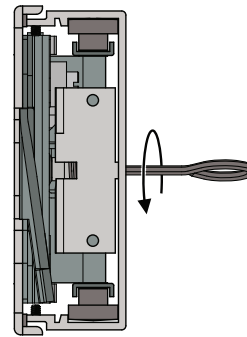


FIG. 15

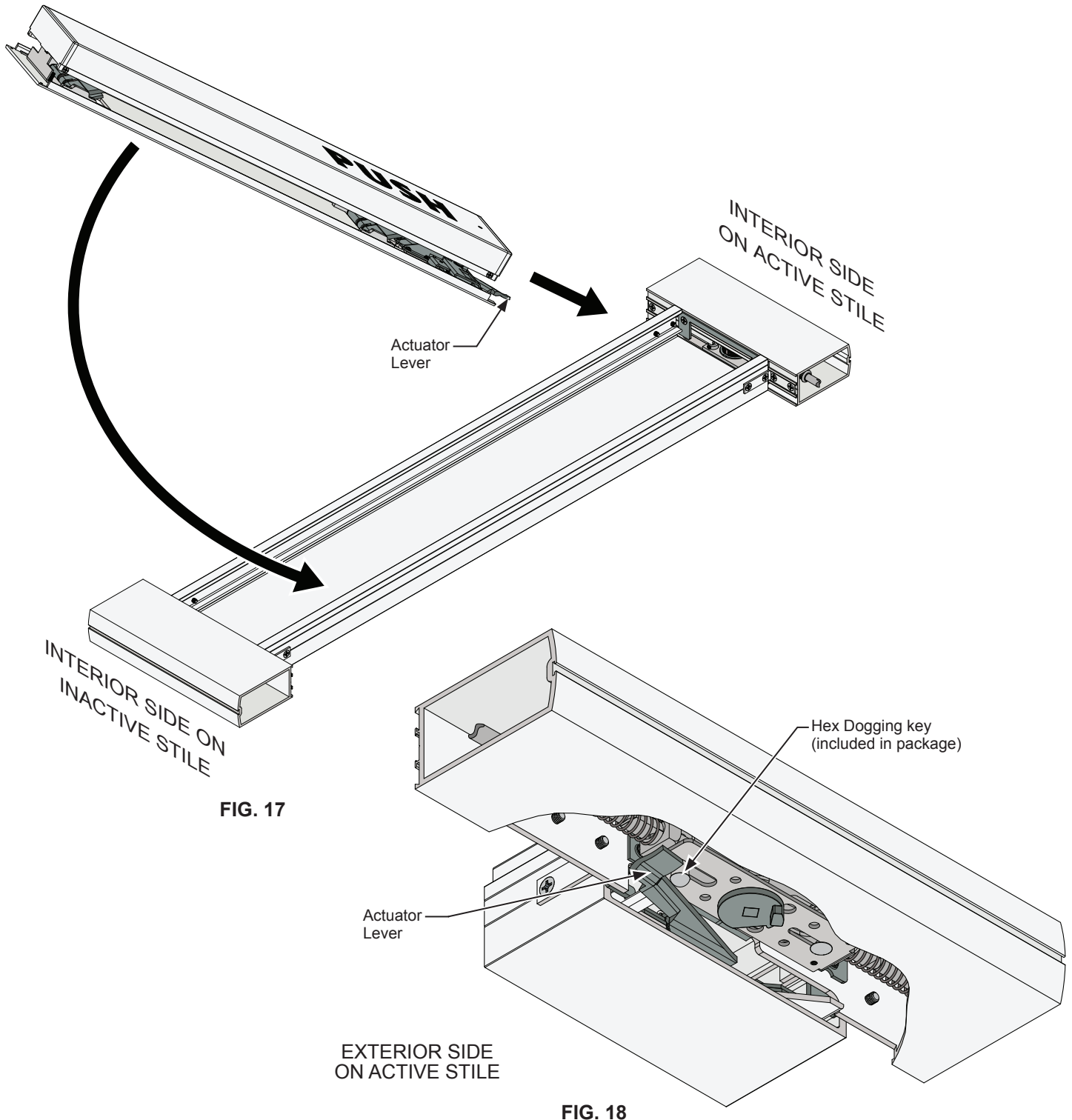


FIG. 16

NOT TO SCALE

## PUSH BAR INSTALLATION

1. Un-dog the push bar. Slide the push bar into the infill cut-out on the active door stile until the tab portion is fully secured against the active stile. (Fig. 17)
2. Make sure the actuator lever is positioned below the lift pin on the rod and case assembly. To achieve full engagement, slightly lift the push bar while sliding it into the final position. (Fig. 18)



NOT TO SCALE

## PUSH BAR INSTALLATION (CONTINUED)

1. Install the locking bar by sliding it behind the ribbing of the mid-rail until it stops against the inactive tab. **(Fig. 19)**
2. Firmly secure the locking bar with (2) **Ⓓ** 8-32 x 5/16" set screws. Install and snap in the filler cover. **(Fig. 20)**

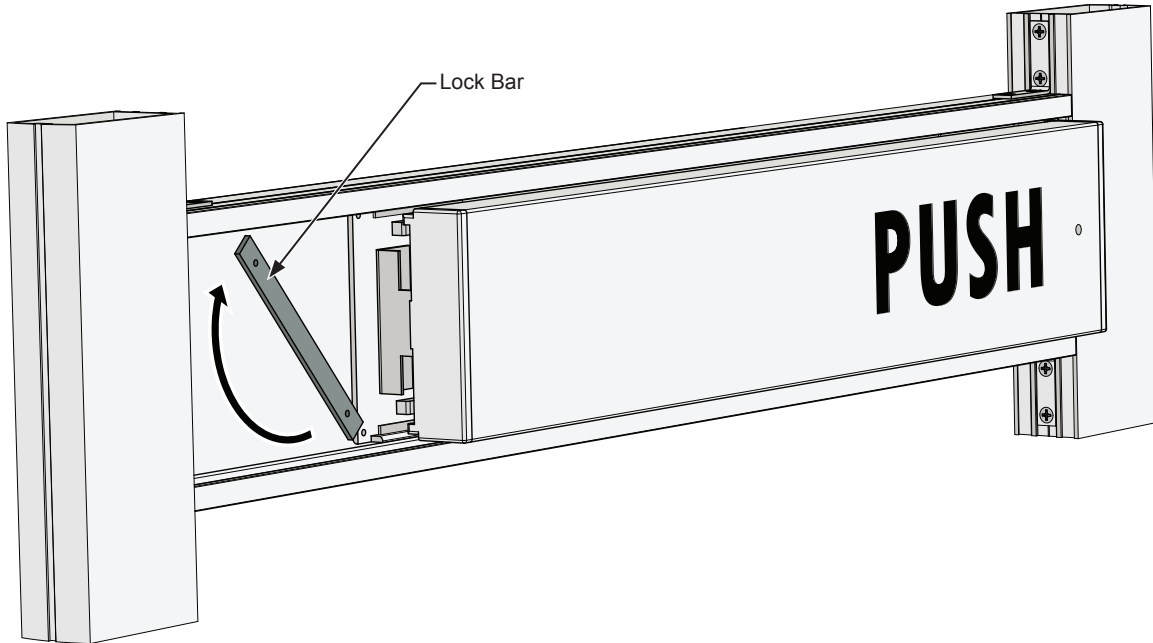


FIG. 19

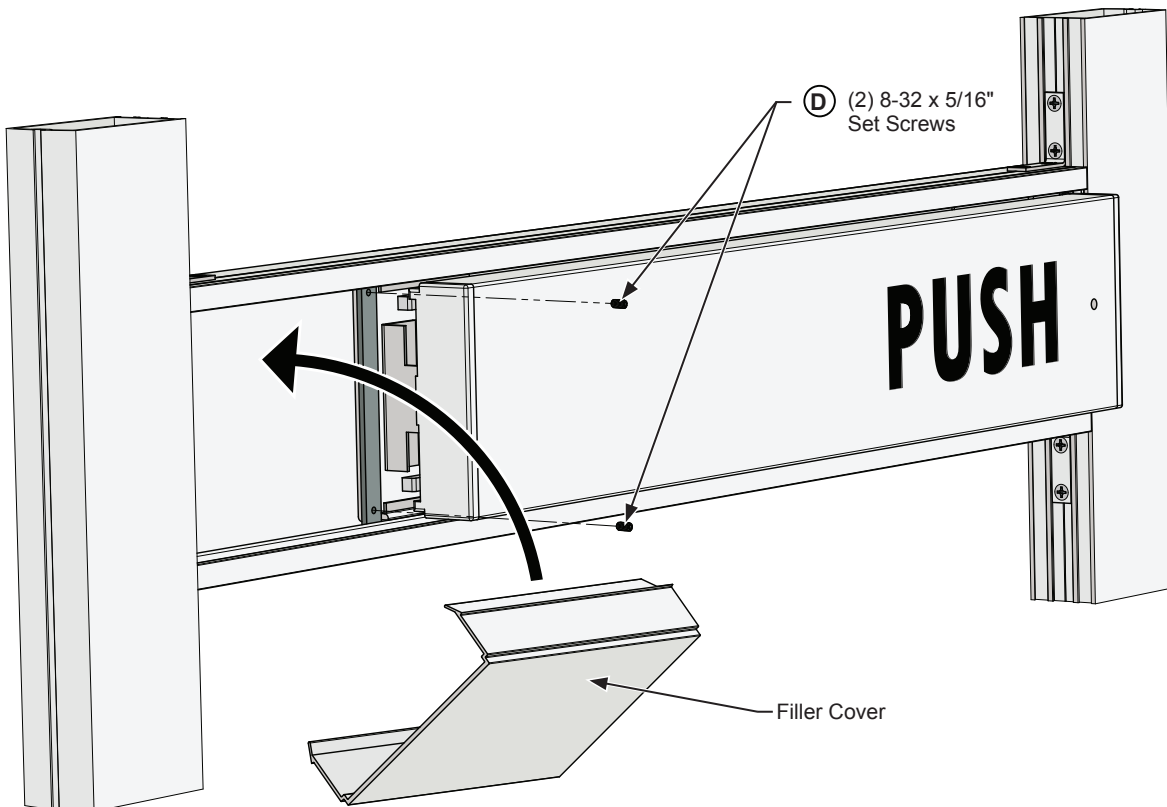


FIG. 20

NOT TO SCALE

## FRAME PREPARATION

### RE-ATTACH DOOR TO FRAME

1. Make sure that the panic exit device is in the dogged position. Both the upper and bottom latches must clear the frame. Re-attach the door to the frame.
2. With the door in place and in the closed position, mark the center line locations on the header and threshold of both the upper and bottom latches.
3. Finish the header and threshold preparation using the layout drawings on page 17.

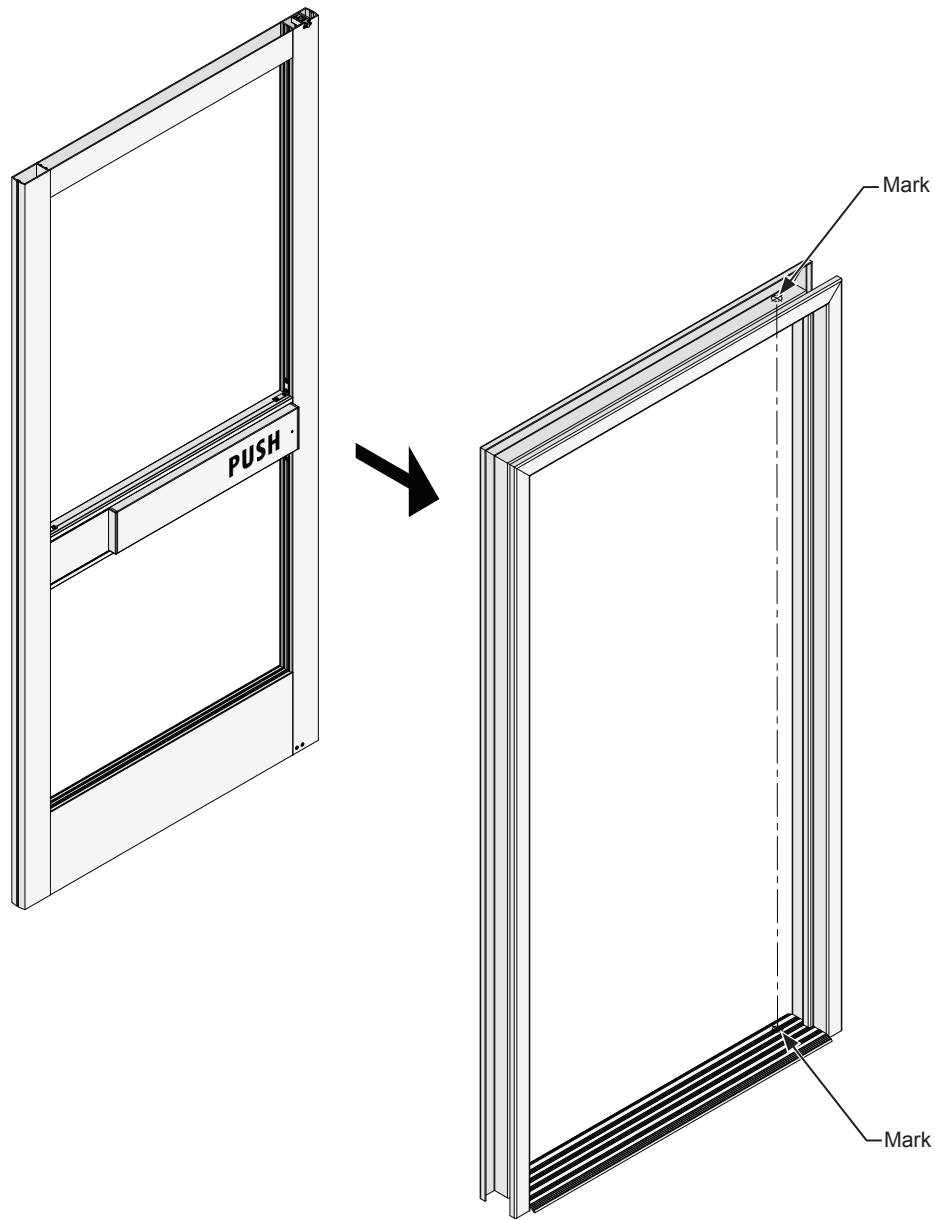


FIG. 21

NOT TO SCALE

## FRAME PREPARATION (CONTINUED)

### ATTACH UPPER STRIKE

Drill a 1" diameter hole and drill and tap for (2) (E) 8-32 x 1/2" FHMS on the mark made in step 2 of the frame preparation on page 16. Attach the upper strike to header using (2) (E) 8-32 x 1/2" FHMS. (Fig. 22)

### ATTACH BOTTOM STRIKE

Drill a 1" diameter hole and drill and tap for (2) (E) 8-32 x 1/2" FHMS on the mark made in step 2 of the frame preparation on page 16. Attach the bottom strike centering on the mark using (2) (E) 8-32 x 1/2" FHMS. (Fig. 23)

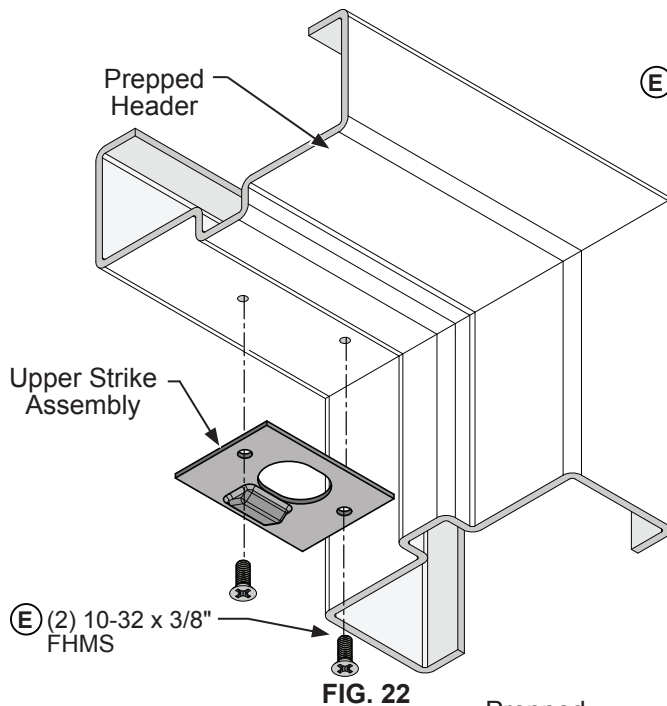


FIG. 22

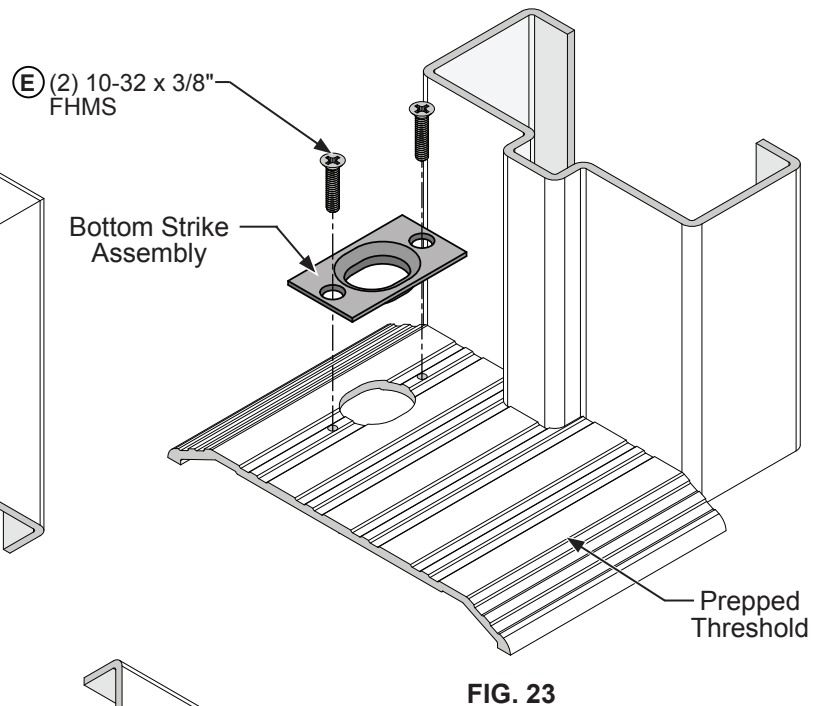


FIG. 23

**NOTE:** Upper Strike Assembly must be used for proper operation of panic device.

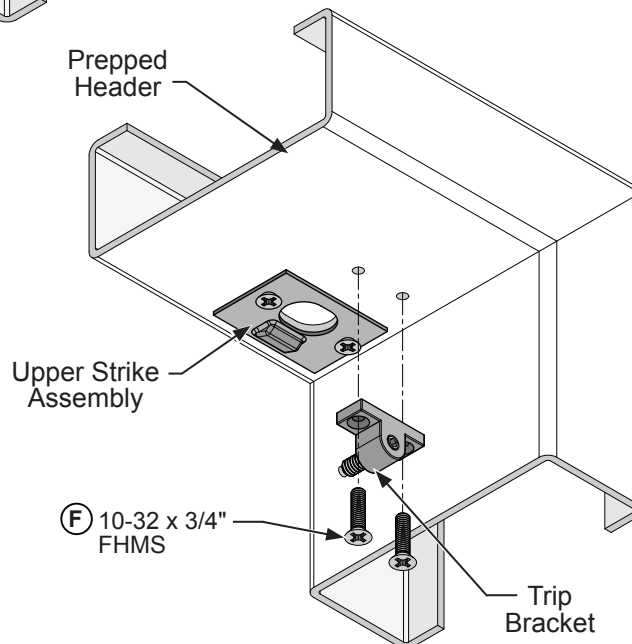


FIG. 24

NOT TO SCALE



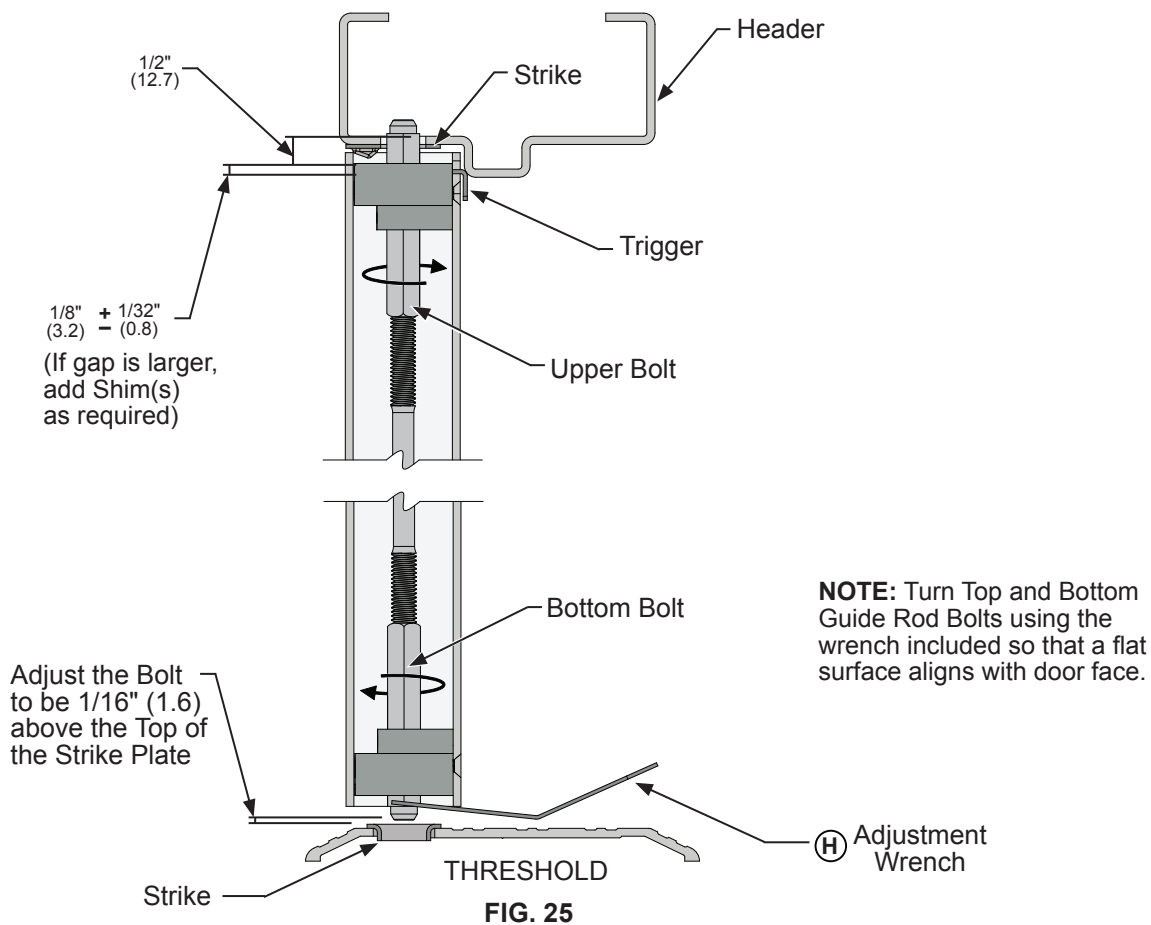
## DOOR HARDWARE ADJUSTMENTS

### UPPER BOLT:

1. The door must be in the closed position and the push bar must be in the un-dogged position to complete the following adjustments.
2. Depress the push bar, The bottom and upper rods will retract. With the rods in this position adjust the bottom bolt using the adjustment wrench (H) included. Adjust the upper bolt 1/16" to 1/8" (1.6 to 3.2) gap from the header. When the panic is in the released position the upper rod will extend 1/2" (12.7) into the header as shown in (Fig. 25).

### BOTTOM BOLT:

1. The door must be in the closed position and the push bar must be in the un-dogged position to complete the following adjustments.
2. Depress the push bar, The bottom and upper rods will retract. With the rods in this position adjust the bottom bolt using the adjustment wrench (H) included as shown in (Fig. 25).



### MANUAL CHECK:

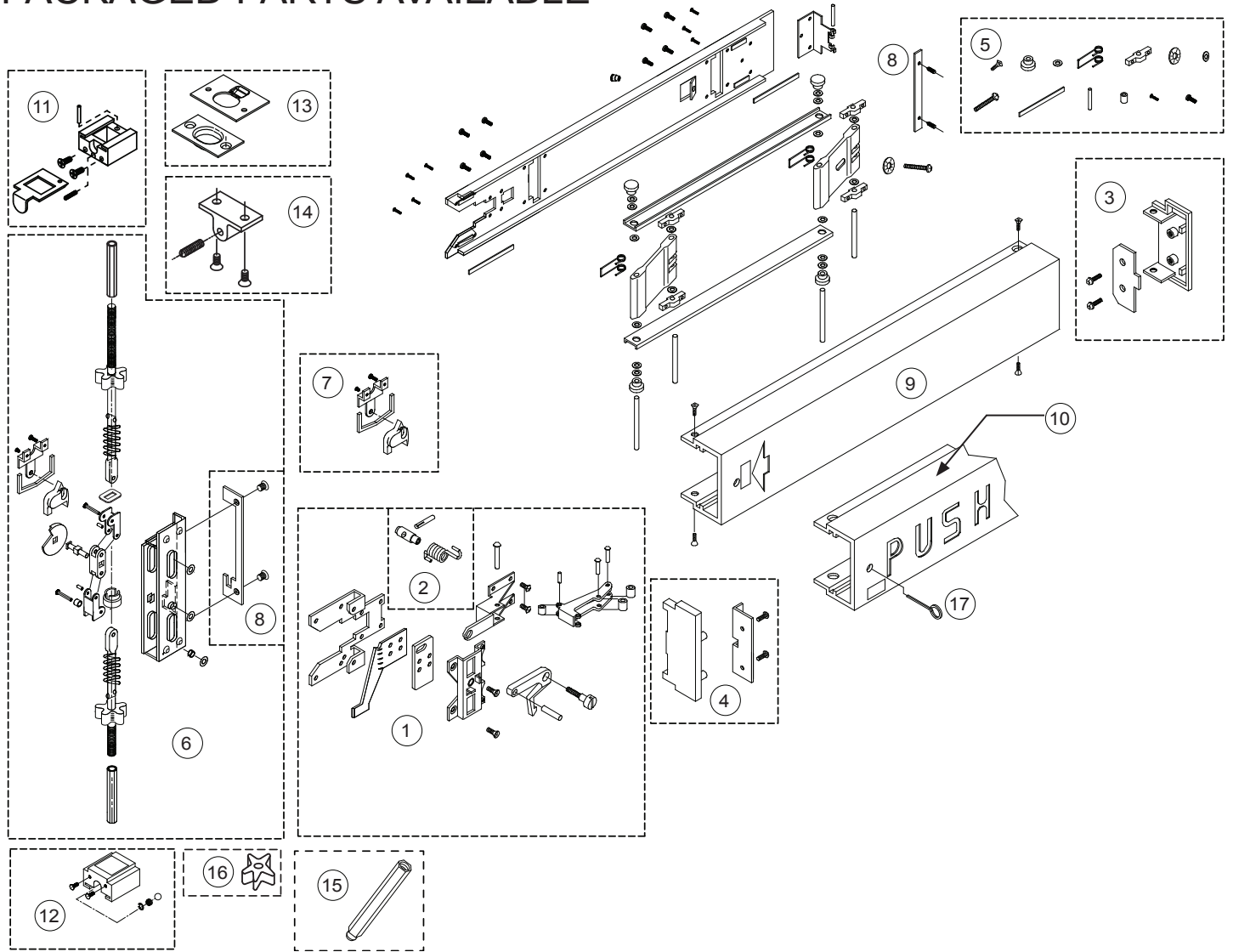
Release the dogging mechanism. The rods will then extend into the locked position.

### OPERATIONS CHECK:

Depress the push bar. The bottom bolt should retract to the bottom edge of the door stile. The upper bolt will return to the open position.

**\*\*Important:** If the upper bolt returns to the open position with the push bar being partially depressed, or if the upper bolt does not go to the open position when the push bar is fully depressed repeat the dogging procedure and the adjustment steps. The upper and lower bolts might need to be adjusted again (Fig. 25).

PACKAGED PARTS AVAILABLE



| Assem. No. | Part No. | Description                        | Assem. No. | Part No.  | Description                      |
|------------|----------|------------------------------------|------------|-----------|----------------------------------|
| 1          | 30093    | LHRB-Actuator Head Assembly        | 10         | 300041L   | LHRB-Push-Pad-"Push" (Optional)  |
| Not Shown  | 30094    | RHRB-Actuator Head Assembly        | Not Shown  | 300041R   | RHRB-Push-Pad-"Push" (Optional)  |
| 2          | 30092    | Dogging Assembly                   | 11         | 30934     | Top Bolt Guide Assembly          |
| 3          | 30086    | Push-Pad Inactive End Cap Assembly | 12         | 30320     | Bottom Bolt Guide Assembly       |
| 4          | 30089    | Push-Pad Active End Cap Assembly   | 13         | 301084    | Strike Package Top and Bottom    |
| 5          | 30085    | Body Hardware Package              | 14         | 30824     | Trip Bracket Package             |
| 6          | 30077J   | LHRB-Rod and Case Assembly-7/0     | 15         | 30763P    | Top or Bottom Rod Bolt           |
| Not Shown  | 30080J   | RHRB-Rod and Case Assembly-7/0     | 16         | 301552PKG | Rod Silencers (12 Pkg.)          |
| 7          | 30090    | Rod and Case Hardware Package      | 17         | 302796    | Dogging Hex Key Package (2 Pkg.) |
| 8          | 30095    | LHRB-Mounting Bracket Set          | Not Shown  | 301347    | Top Rod Extension-12"            |
| Not Shown  | 30096    | RHRB-Mounting Bracket Set          | Not Shown  | 301348    | Top Rod Extension-24"            |
| 9          | 30023    | Push-Pad-Plain-Non-Handed          | Not Shown  | 30PBAW    | Bolt Adjustment Wrench           |