

# INSTALLATION INSTRUCTIONS

## CRL JACKSON 3185 MID-PANEL CONCEALED VERTICAL ROD PANIC EXIT DEVICE



---

Phone: (800) 421-6144 • Fax: (866) 921-0531  
crlaurence.com • usalum.com • crl-arch.com

---

## ORDER OF ASSEMBLY AND INSTALLATION

Tools Required .....	02
Parts Identification .....	03 - 04
Door Preparation .....	05 - 08
Remove Door.....	05
3185 Bottom Guide and Upper Pullman Latch Preparation.....	06
3185 Infill Actuator Cut - Out .....	07
3185 Optional Lock and Mounting Pad Preparation.....	08
Door Hardware Installation.....	09 - 11
Insert Rod and Case .....	09
Install Optional Mortise Cylinder.....	10
Mid Panel Installation .....	11
Dogging Instructions .....	12
Push Bar Installation.....	13 - 14
Frame Preparation.....	15 - 16
Re - Attach Door to Frame .....	15
Attach Upper Strike and Bottom Strike .....	16
Door Hardware Adjustments .....	17
Packaged Parts Available.....	18

---

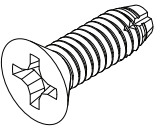
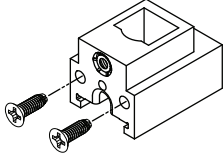
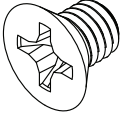
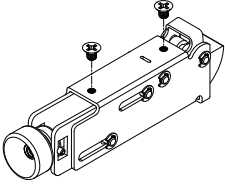
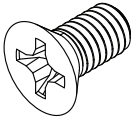
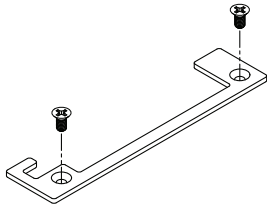
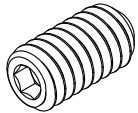
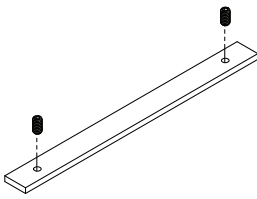
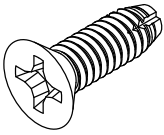
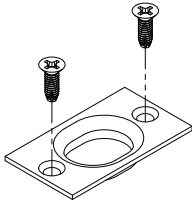
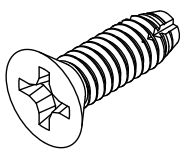
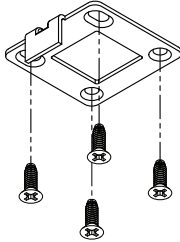
## Tools Required

Drill bits: 1/8", 3/32", 1/2", 33/64", 1", 1-13/32"	Framing square/straight edge
Tap: 10-32, 8-32	Masking tape
Tape measure	Center punch
Saw horses	Flat File
Drill	Round File
Phillips #2 screwdriver	Jigsaw with metal cutting blade
Standard screwdriver	

The rapidly changing technology within the architectural aluminum products industry demands that C.R. Laurence/U.S. Aluminum reserve the right to revise, discontinue, or change any product line, specification, or electronic media without prior written notice.

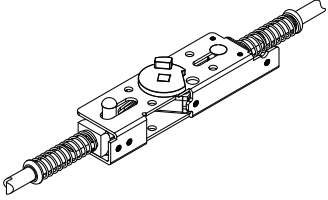
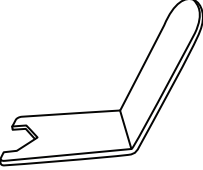
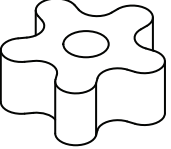
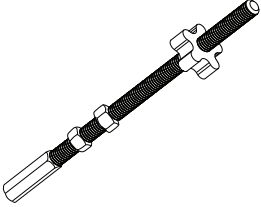

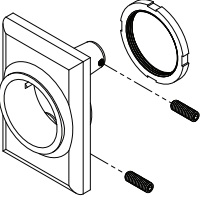
**NOTE:** Dimensions in parentheses ( ) are millimeters unless otherwise noted.

PARTS IDENTIFICATION

FASTENERS PROVIDED					
CALL OUT	QTY.	FASTENER	FASTENER DESCRIPTION	PART	USED WITH PART NUMBER
(A)	2		8-32 x 1/2" Flat Head Self Tapping Screw		30320 Bottom Bolt Guide Assembly
(B)	2		10-32 x 1/4" Flat Head Machine Screw		302775 Upper Pullman Latch
(C)	2		10-32 x 3/8" Flat Head Machine Screw		30095/96 Locator Plate
(D)	2		8-32 x 5/16" Set Screw		30095/96 Lock Bar
(E)	2		8-32 x 1/2" Flat Head Machine Screw		301345 Bottom Strike Plate
(F)	4		8-32 x 1/2" Flat Head Machine Screw		301345 Upper Strike Plate

**NOTE:** any modifications to this product, other than those specified in this document may void the warranty as this product will no longer meet the UL safety rating requirements this product was tested and intended for.

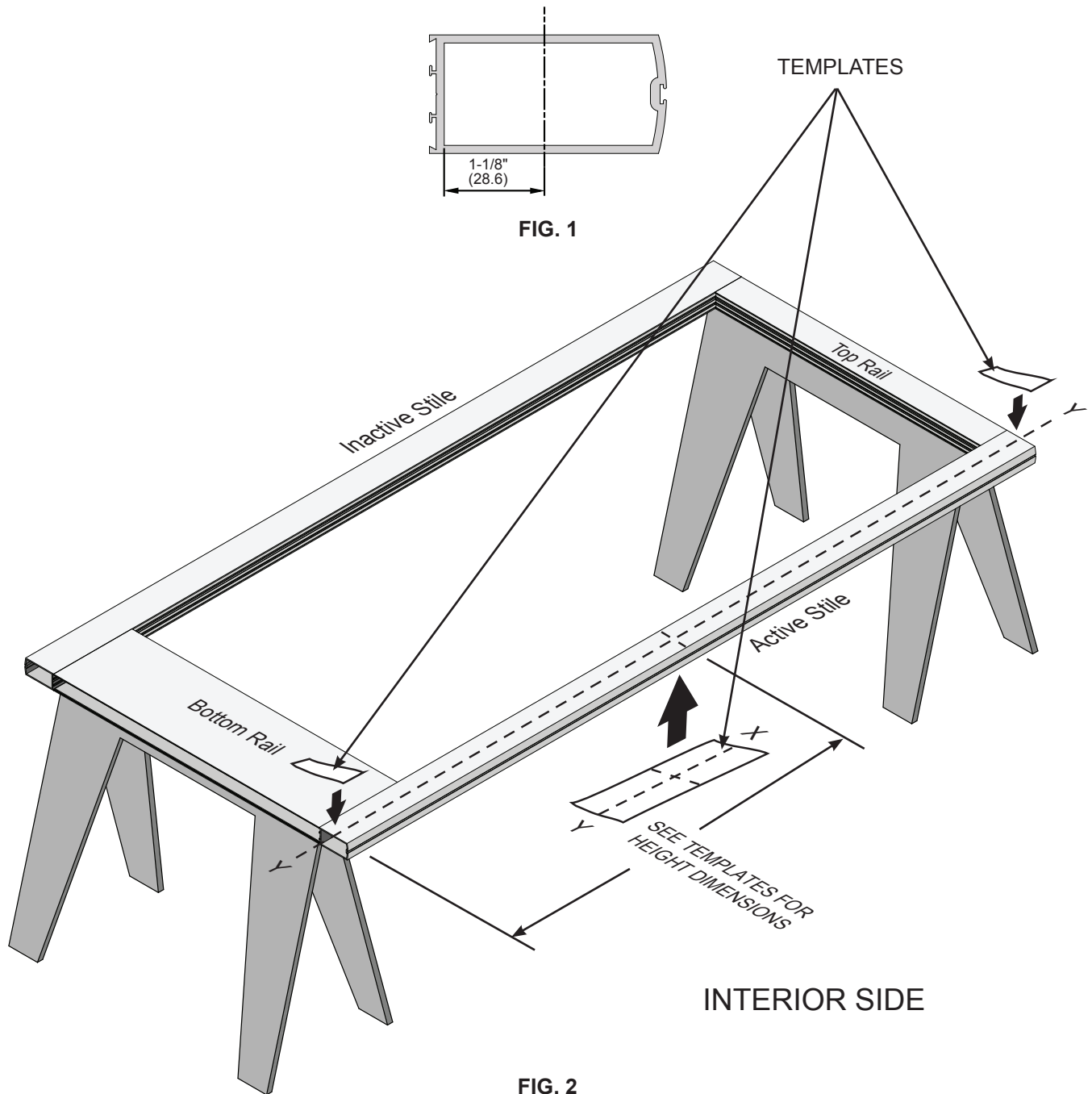
PARTS IDENTIFICATION

PARTS LIST			
CALL OUT	PART	PART NO.	DESCRIPTION
Ⓒ		302831J-LHRB 302827J-RHRB	Rod and Case Assembly
Ⓓ		30PBAW	Bolt Adjustment Wrench
Ⓔ		301552PKG	Rod Silencers (12 Pkg.)
Ⓙ		301347 301348	Optional 12" and 24" Top Rod Extender
Ⓚ		DL2170	Optional 1" Single Mortise Cylinder
Ⓛ		30821B	Optional Mortise Cylinder Mounting Pad

## DOOR PREPARATION

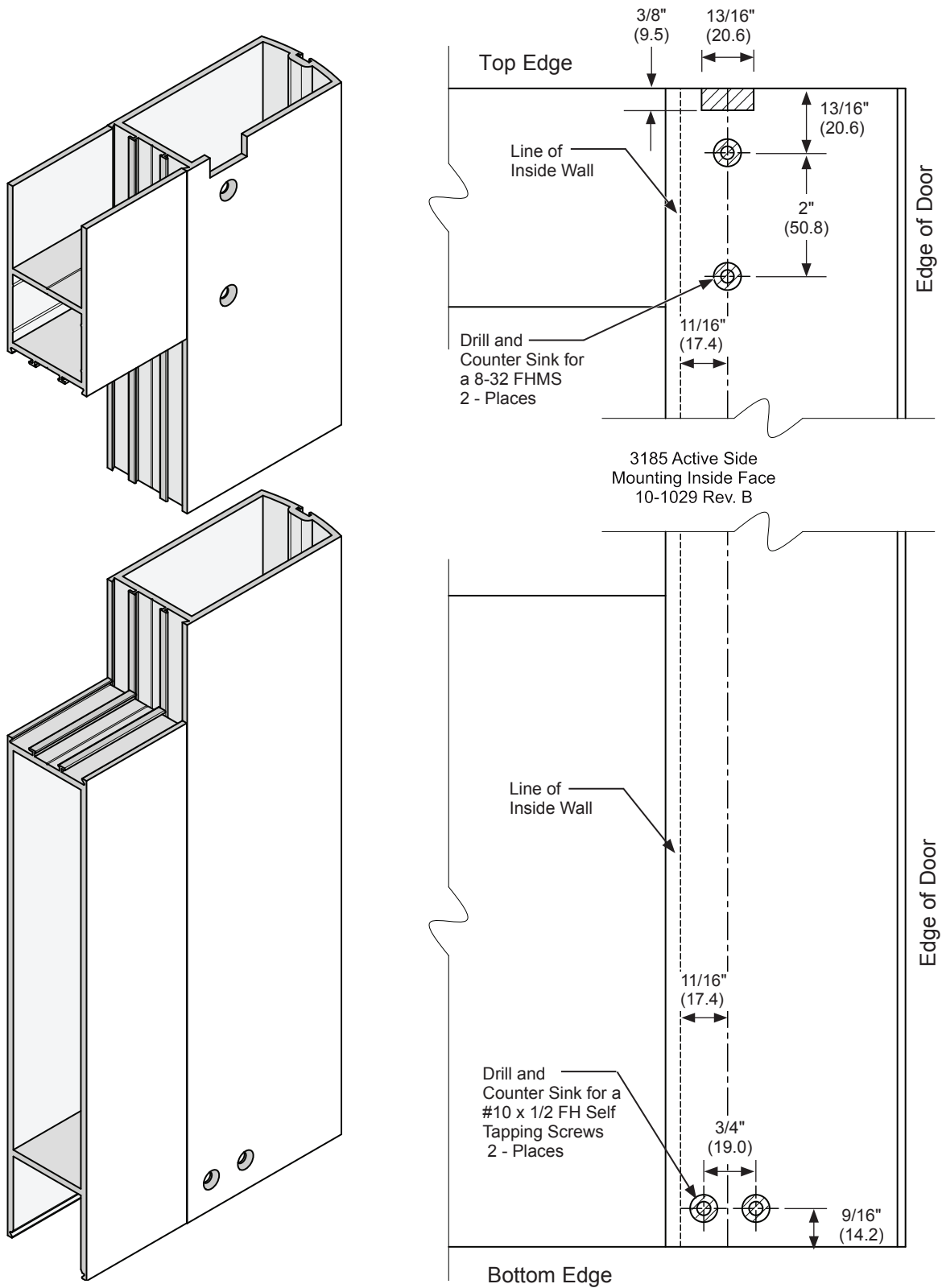
### PREPARE THE DOOR PER ATTACHED LAYOUT DRAWING 10-1029

1. Place the door horizontally on the stands interior side up.
2. Mark the stile centerlines 1-1/8" (28.6) from the inside edge of the stile. (**Fig. 1**)
3. Mark the corresponding layouts on the stile using the vertical centerline at the specified height. (**Fig. 2**)
4. Attach corresponding templates. (**Fig. 2**)



NOT TO SCALE

DOOR PREPARATION – BOTTOM GUIDE AND PULLMAN LATCH

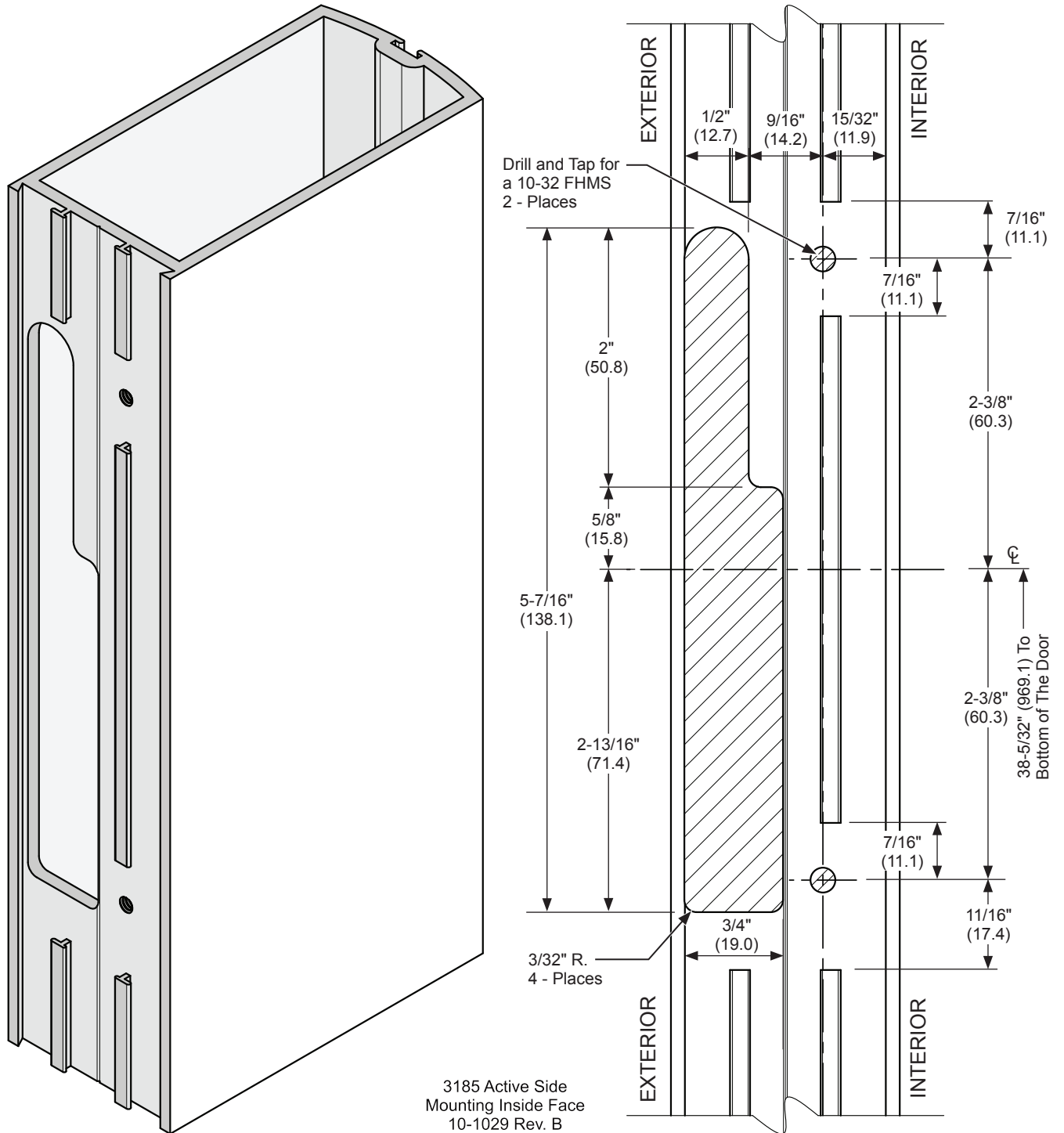


INTERIOR SIDE ON ACTIVE STILE

FIG. 3

NOT TO SCALE

DOOR PREPARATION – INFILL ACTUATOR CUT - OUT

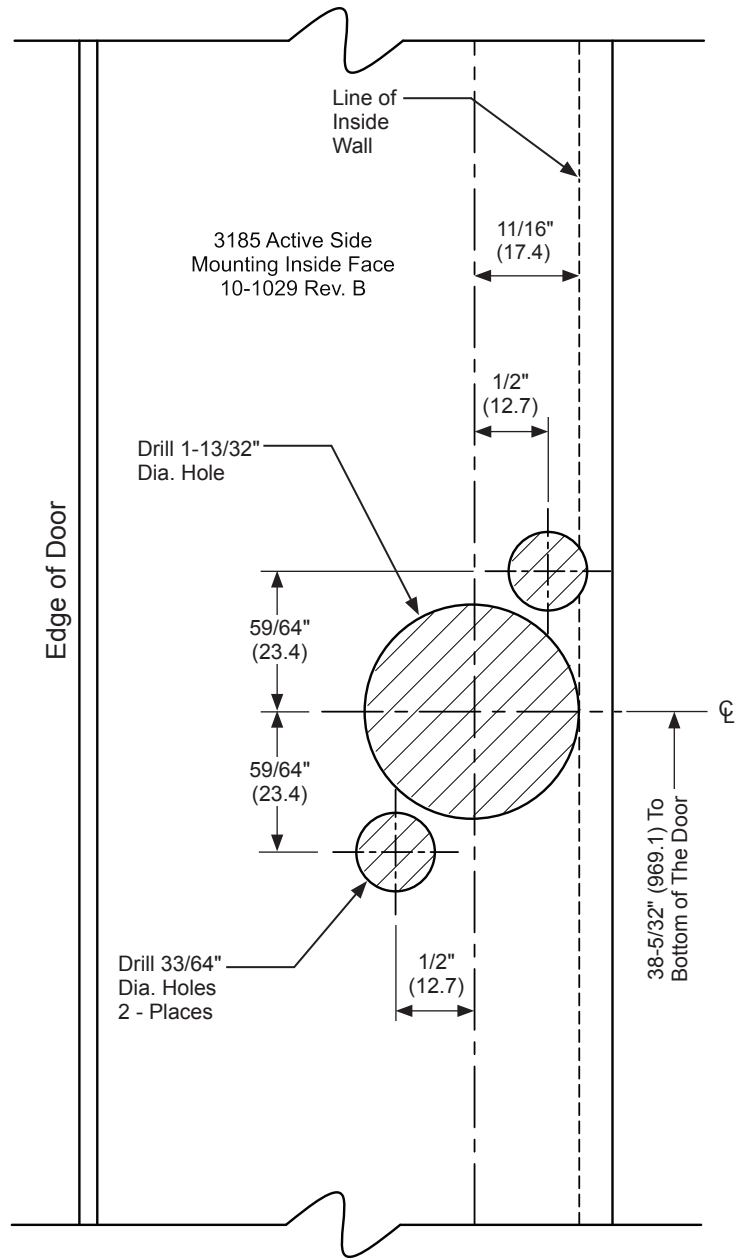
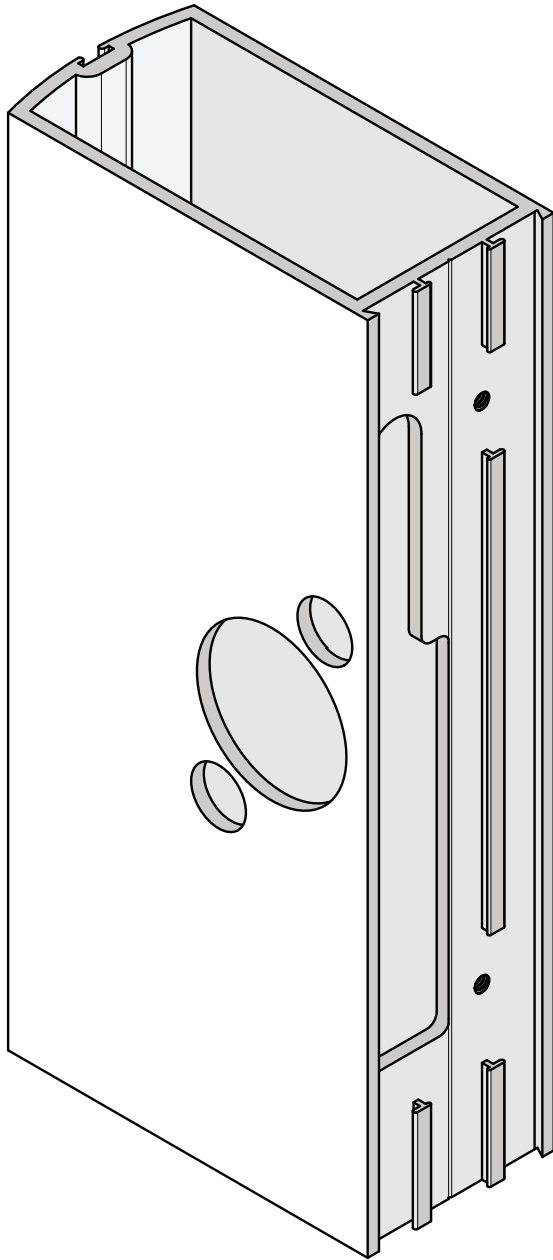


SECTION SIDE ON ACTIVE STILE

FIG. 4

NOT TO SCALE

DOOR PREPARATION – OPTIONAL LOCK AND MOUNTING PAD



EXTERIOR SIDE ON ACTIVE STILE

FIG. 5

NOT TO SCALE



# DOOR HARDWARE INSTALLATION (CONTINUED)

## INSERT ROD AND CASE

1. Insert the panic device rod and case assembly into active stile. **(Fig. 7)**
2. Align the rod case assembly with the locator plate and fasten with (2) 10-32 x 3/8" **(C)** flat head machine screws. **(Fig. 9)**
3. Adjust the bottom bolt, to extend 1/2" past the bottom stile.
4. Install the top latch assembly with the nylon spacer by rotating the latch assembly on to the rod turning it clock wise until the slot indicator aligns with the upper counter sunk hole on the door stile. **(Fig. 8)**
4. Remove the nylon spacer then depress the trigger release, the Pullman Latch will shift vertically approximately 1/2". The attachment holes will align with the countersunk holes on the door stile. Fasten the latch with (2) **(B)** 10-32 x 1/4" FHMS
5. Install the bottom bolt guide assembly using (2) **(A)** #10 x 1/2" flat head self threading screws at the bottom of the active door stile. The (2) holes face the interior side of stile.

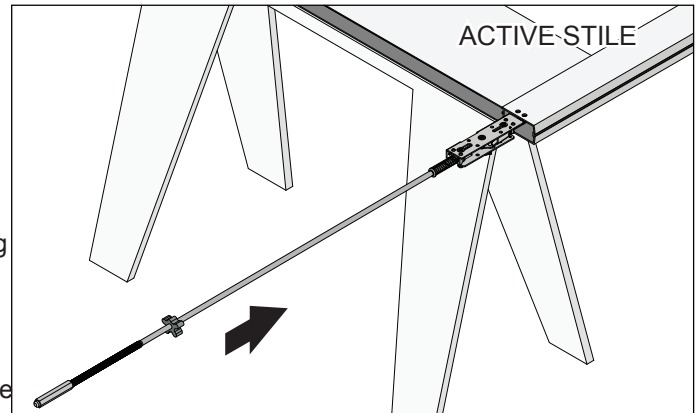


FIG. 7

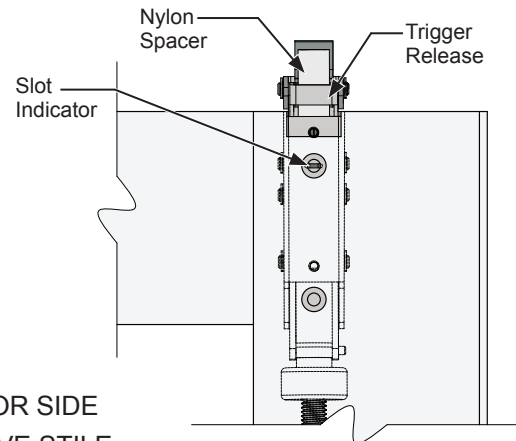


FIG. 8

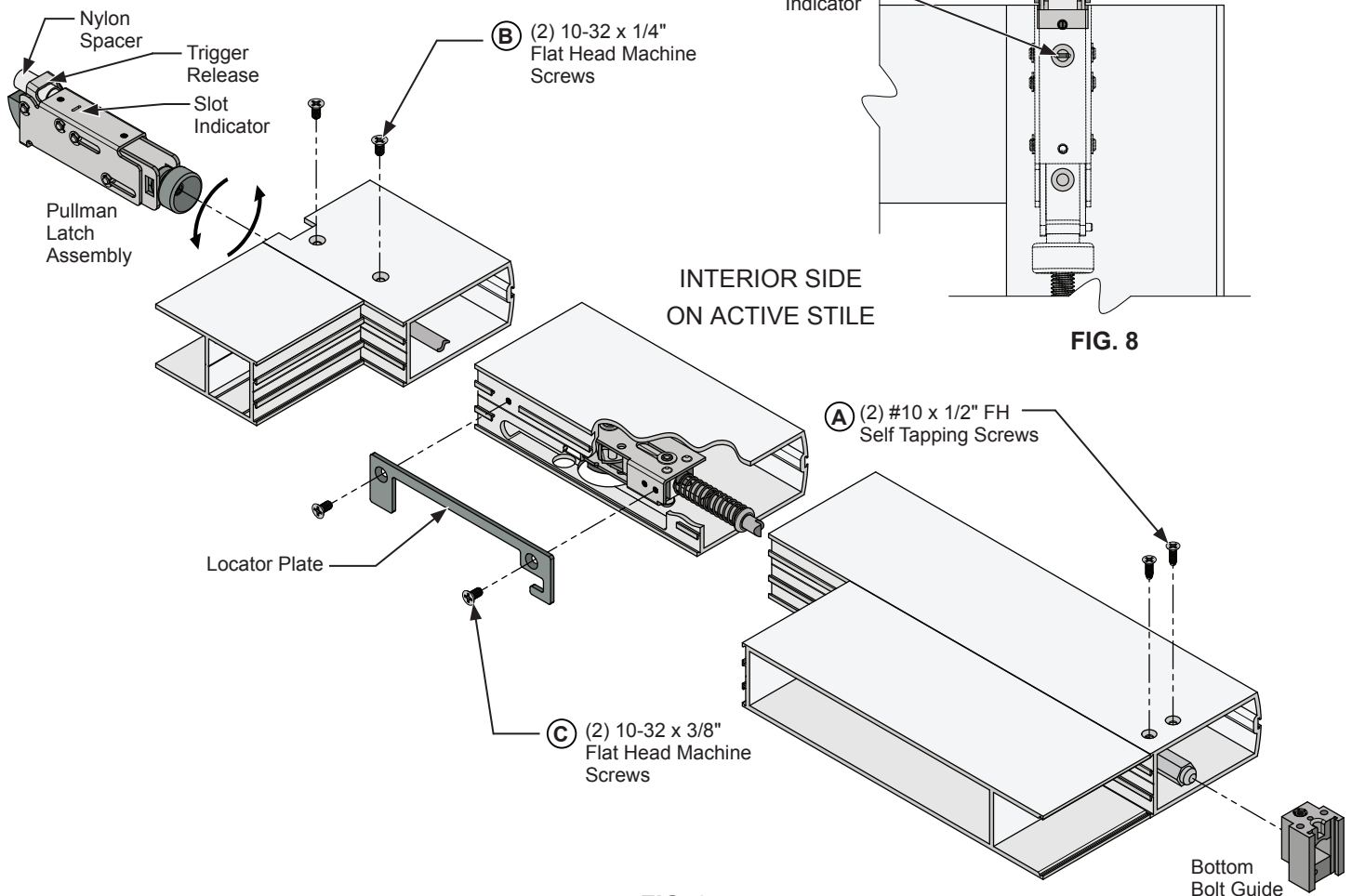


FIG. 9

NOT TO SCALE

## DOOR HARDWARE INSTALLATION (CONTINUED)

### INSTALL THE MORTISE CYLINDER AND MOUNTING PAD

1. Insert the Mortise Cylinder into the mounting pad and secure with the Cylinder Lock Ring Included. Slide in the mounting pad shim if necessary. **(Fig. 10)**
2. Attach to the exterior of the Active Stile with **(D)** (2) 8-32 x 1/2" set screws. **(Fig. 11)**

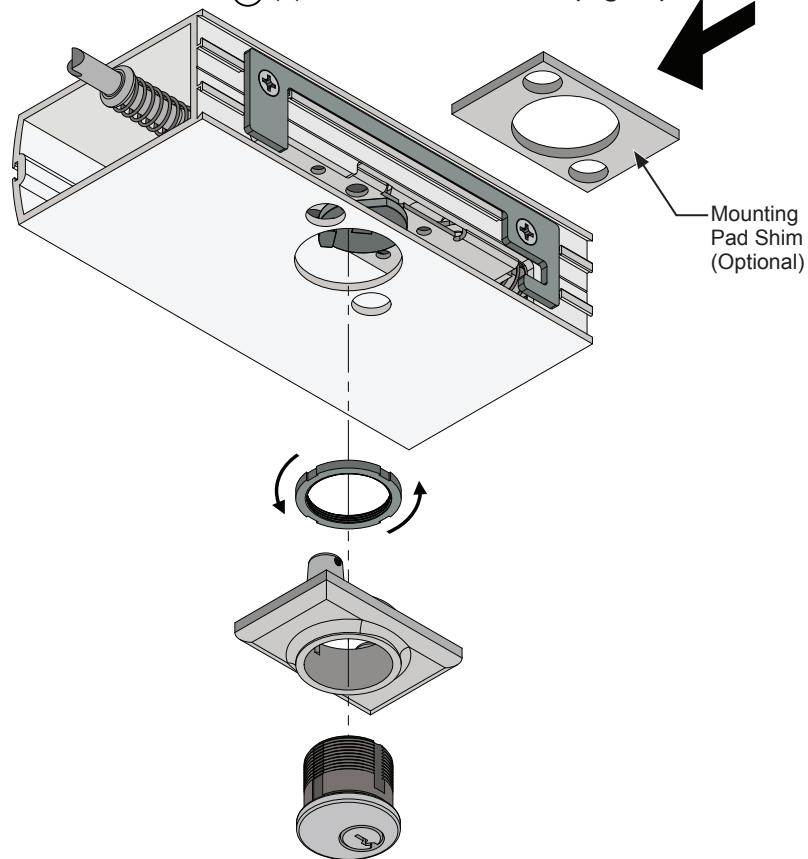


FIG. 10

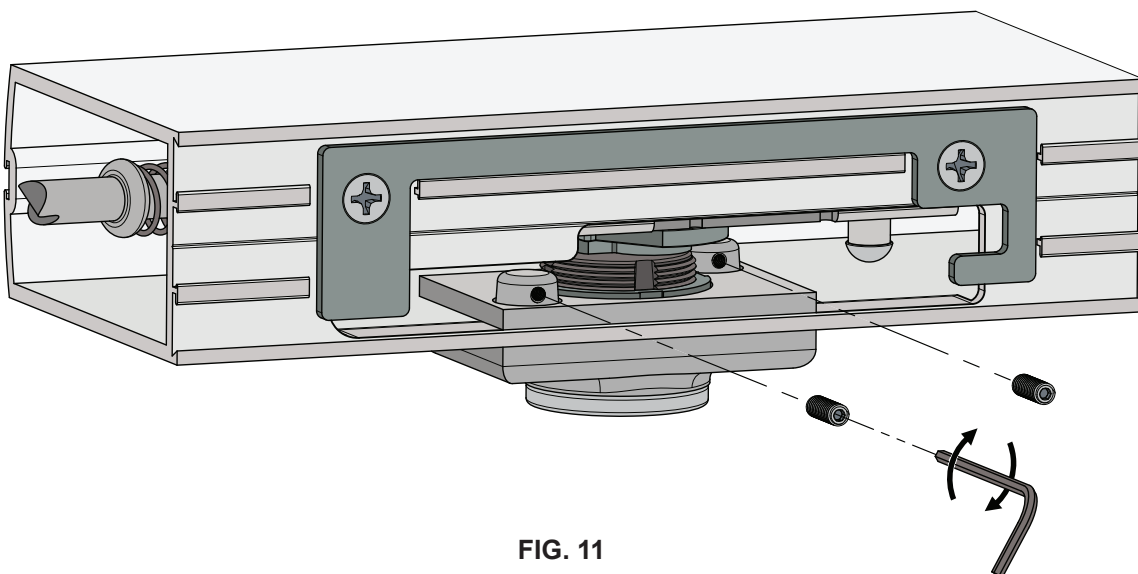


FIG. 11

NOT TO SCALE

## MID PANEL INSTALLATION

1. Install the Mid Panel. (Fig. 12)
2. Attach the Mid Panel to the door Stiles with (4) angle brackets (supplied by others) and (16) 10-32 x 3/8" Flat Head Machine Screws (supplied by others). (Fig. 13)

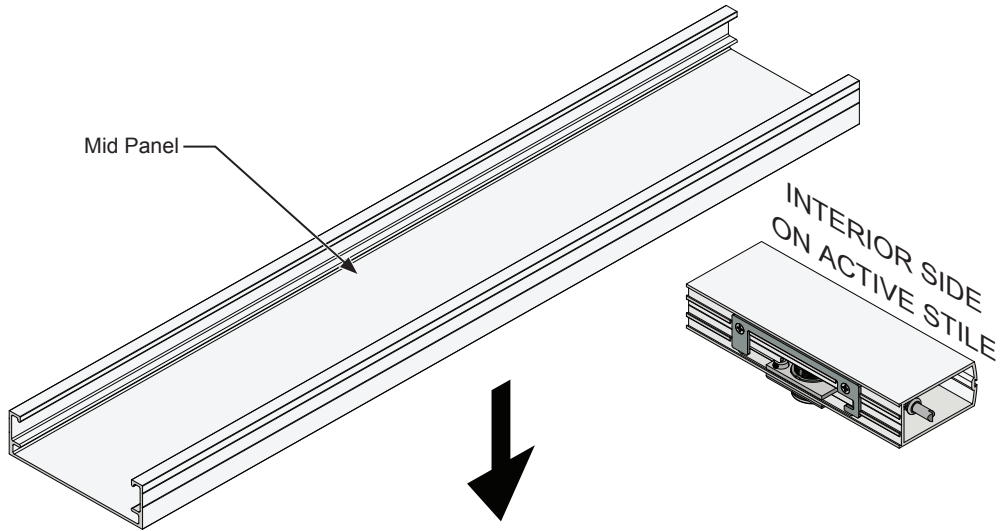


FIG. 12

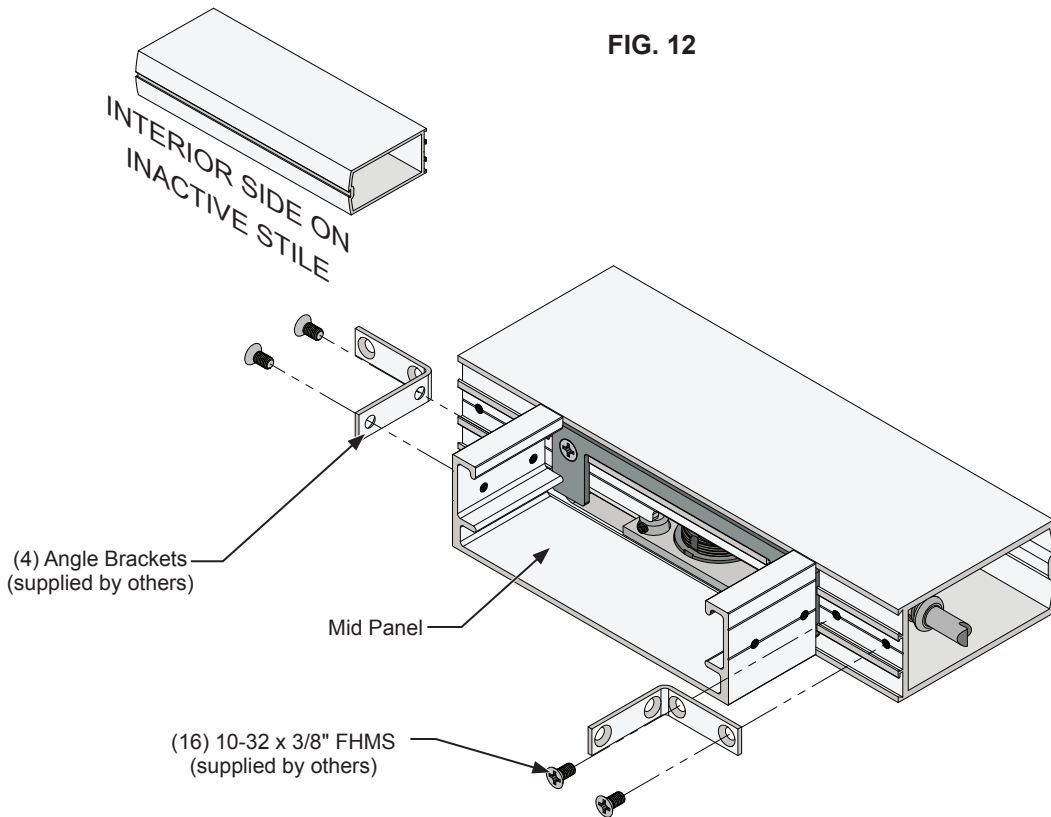


FIG. 13

NOT TO SCALE

# DOGGING INSTRUCTIONS

TO DOG: Insert 1/8" Hex Dogging key (Cat No. 302796) Press push bar, turn the key counter clockwise until it stops, pull the key out.

TO UNDOG: Insert Hex Dogging key, turn clockwise until it stops, push bar will release. Pull key out.

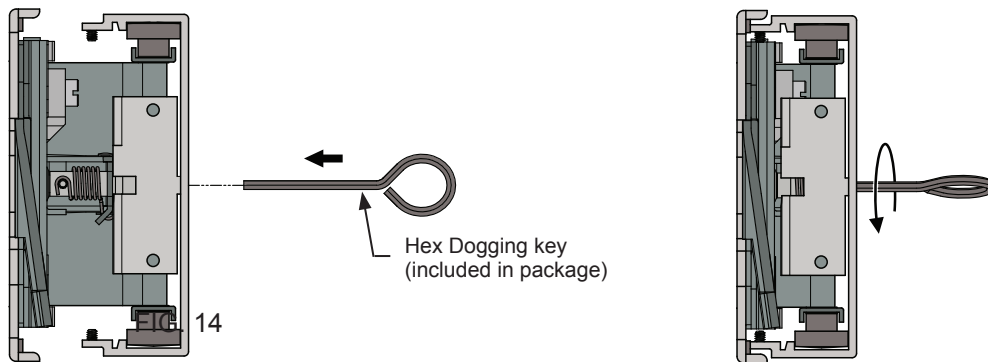


FIG. 15



FIG. 16

NOT TO SCALE

# PUSH BAR INSTALLATION

1. Un-dog the push bar. Slide the push bar into the infill cut-out on the active door stile until the tab portion is fully secured against the active stile. (Fig. 17)
2. Make sure the actuator lever is positioned below the lift pin on the rod and case assembly. To achieve full engagement, slightly lift the push bar while sliding it into the final position. (Fig. 18)

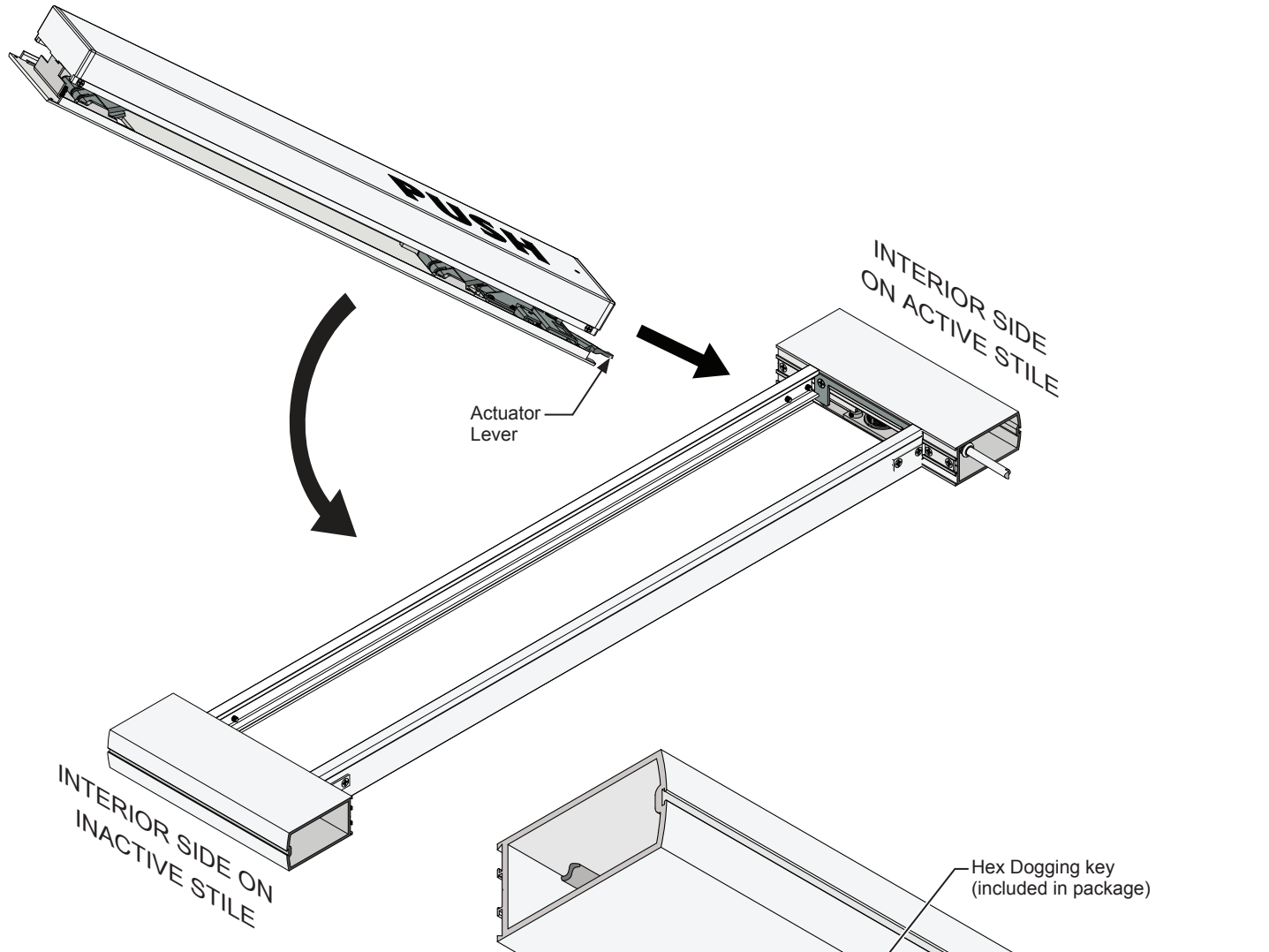


FIG. 17

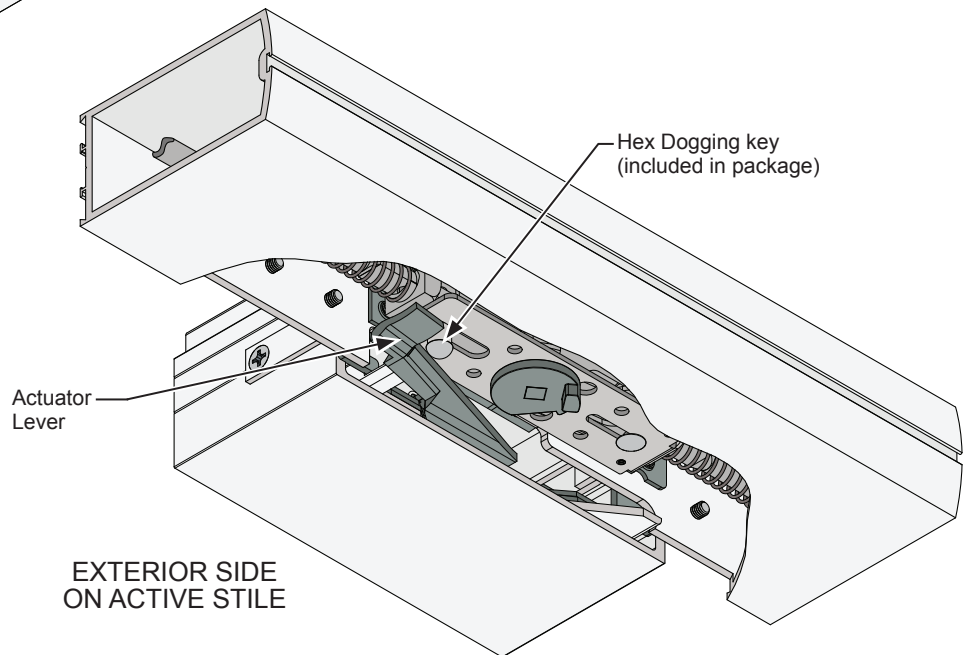


FIG. 18

NOT TO SCALE

## PUSH BAR INSTALLATION (CONTINUED)

1. Install the locking bar by sliding it behind the ribbing of the mid-rail until it stops against the inactive tab. **(Fig. 19)**
2. Firmly secure the locking bar with (2) **Ⓓ** 8-32 x 5/16" set screws. Install and snap in the filler cover. **(Fig. 20)**

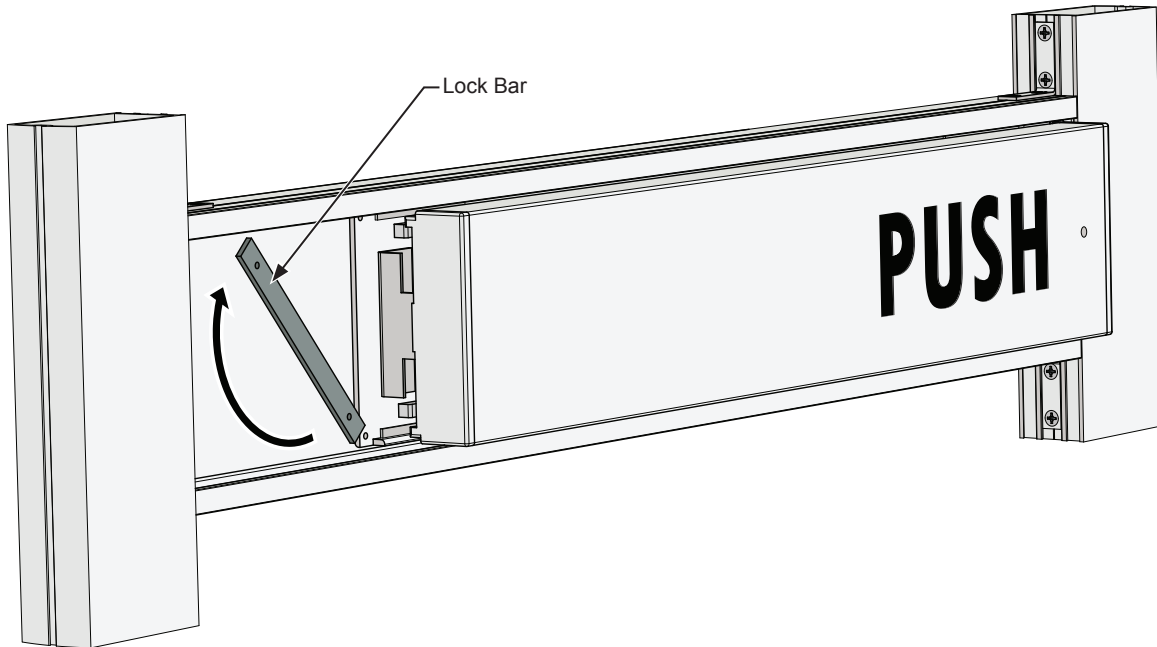


FIG. 19

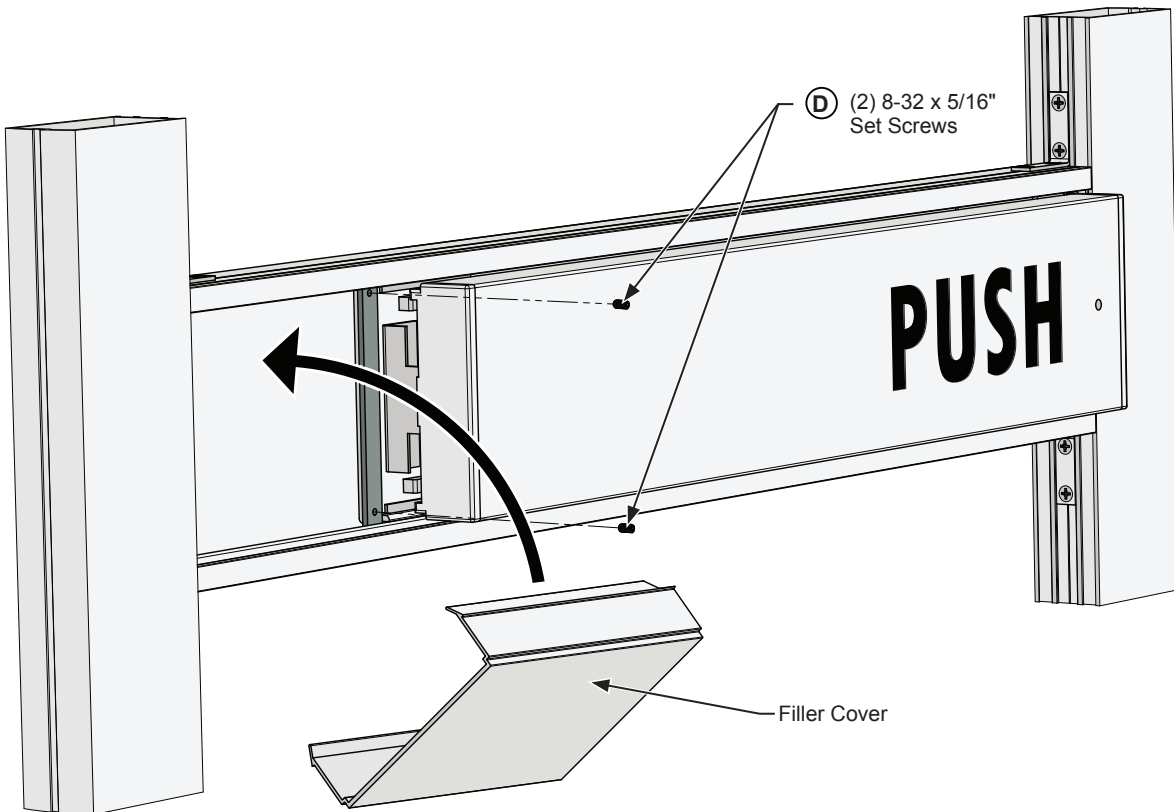


FIG. 20

NOT TO SCALE

## FRAME PREPARATION

### RE-ATTACH DOOR TO FRAME

1. Make sure that the panic exit device is in the dogged position. Both the upper and bottom latches must clear the frame. Re-attach the door to the frame.
2. With the door in place and in the closed position, mark the center line locations on the header and threshold of both the upper and bottom latches.
3. Finish the header and threshold preparation using the layout drawings on page 17.

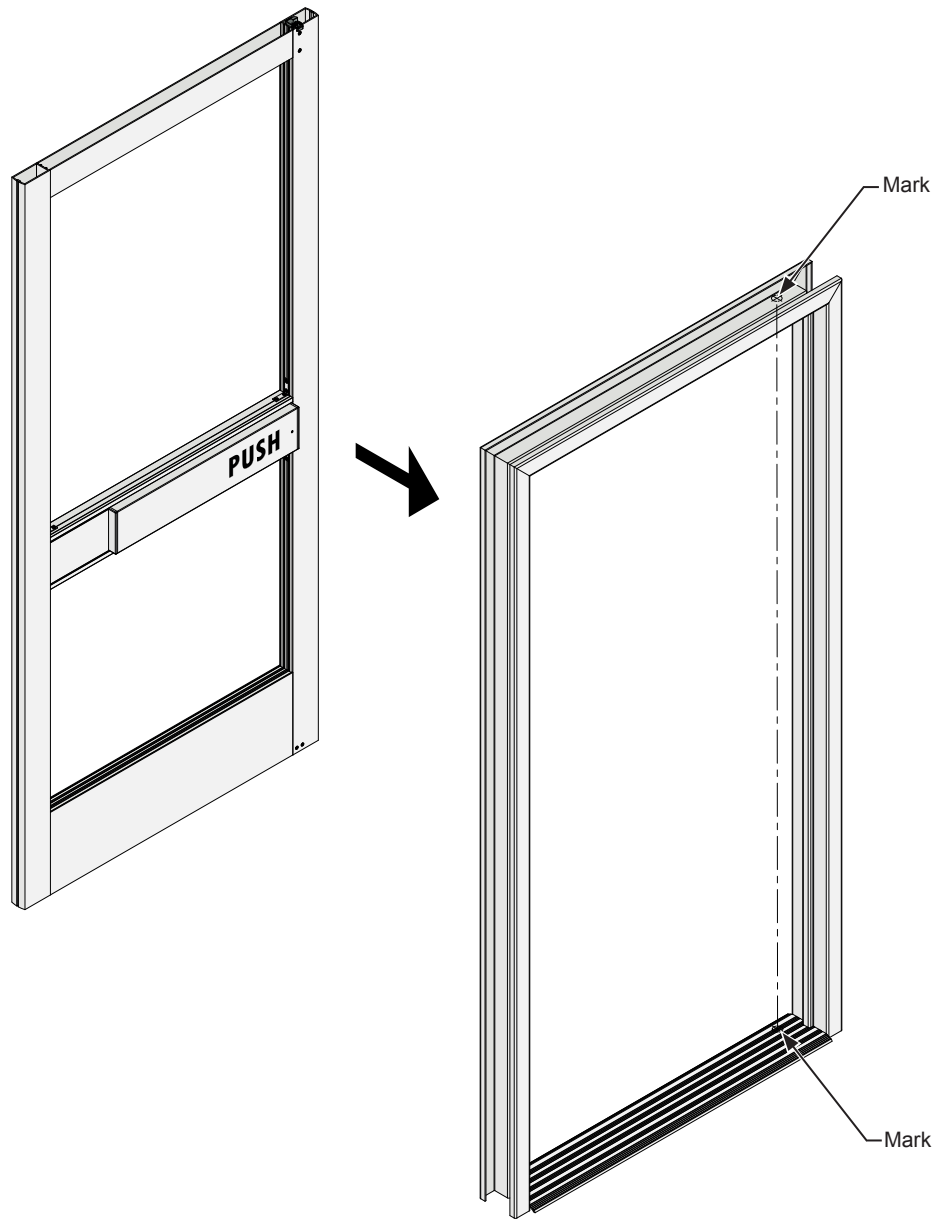


FIG. 21

NOT TO SCALE

## FRAME PREPARATION (CONTINUED)

### ATTACH UPPER STRIKE

Drill a 1" diameter hole and drill and tap for (2) (F) 8-32 x 1/2" FHMS on the mark made in step 2 of the frame preparation on page 16. Attach the upper strike to header using (2) (F) 8-32 x 1/2" FHMS. (Fig. 22)

### ATTACH BOTTOM STRIKE

Drill a 1" diameter hole and drill and tap for (2) (E) 8-32 x 1/2" FHMS on the mark made in step 2 of the frame preparation on page 16. Attach the bottom strike centering on the mark using (2) (E) 8-32 x 1/2" FHMS. (Fig. 23)

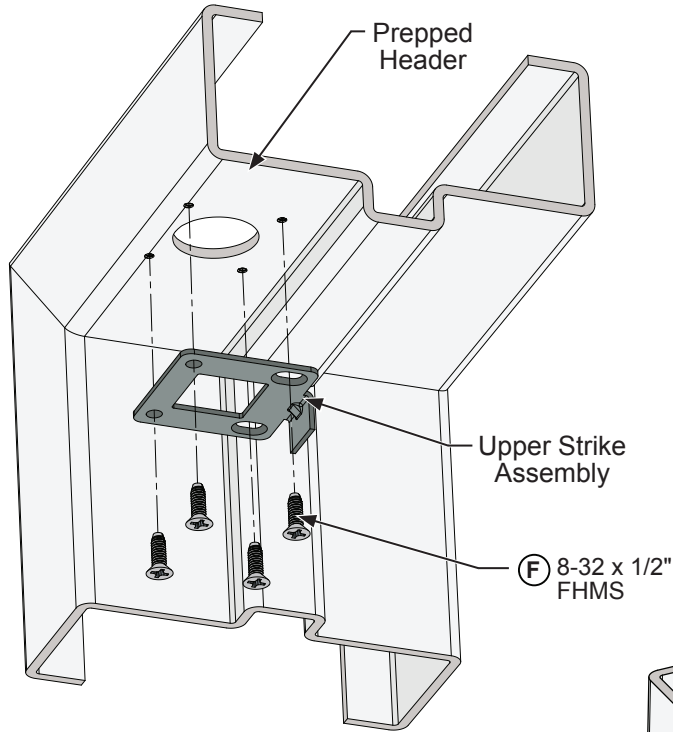


FIG. 22

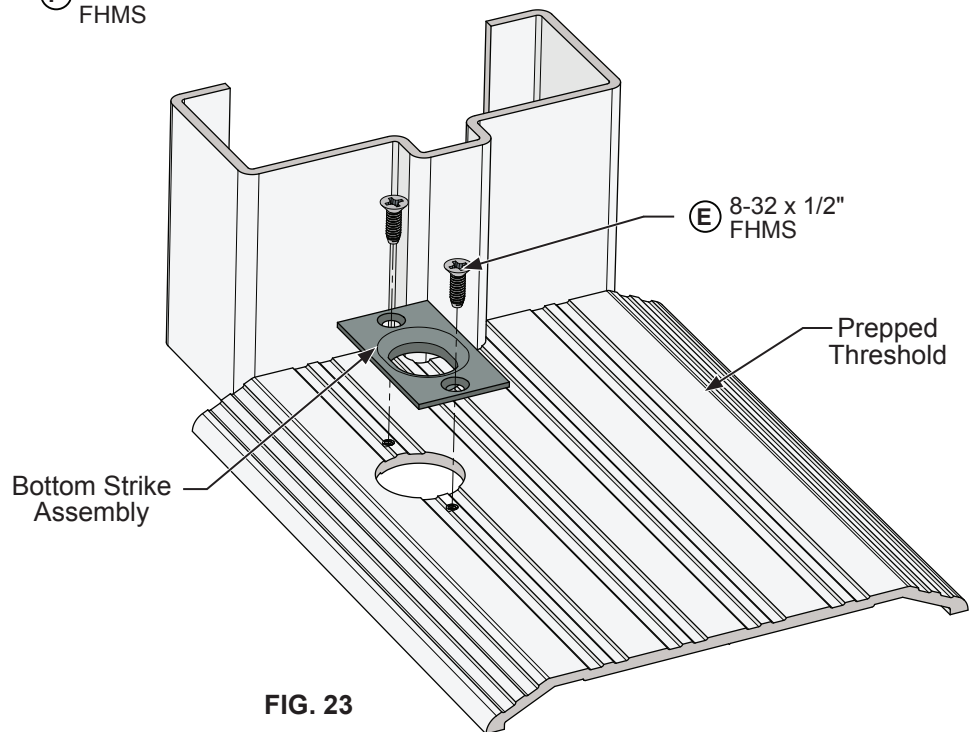


FIG. 23

NOT TO SCALE



## DOOR HARDWARE ADJUSTMENTS

### UPPER LATCH:

1. The door must be in the open position and the push bar must be in the dogged position to complete the following adjustments.
2. Remove the (2) **(B)**10-32 x 1/4" flat head machine screws at the top of the active door stile. Rotate the upper latch one rotation clock wise or counter clock wise then pull the latch upwards to the open position. **(Fig. 24)** Insert the nylon spacer. Once the slot indicator aligns with the upper counter sunk hole on the door stile. **(Fig. 25)** Remove the nylon spacer and depress the trigger release. The latch will shift vertically 1/2". Re-attach and secure the latch case with the (2) **(B)**10-32 x 1/4" flat head machine screws.

### BOTTOM BOLT:

1. The door must be in the closed position and the push bar must be in the un-dogged position to complete the following adjustments. **(Fig. 26)**
2. Depress the push bar, The bottom rod will retract and the latch will move to the unlocked position. **(Fig. 24)** With the latch in this position adjust the bottom bolt using the adjustment wrench **(H)** included. **(Fig. 27)**

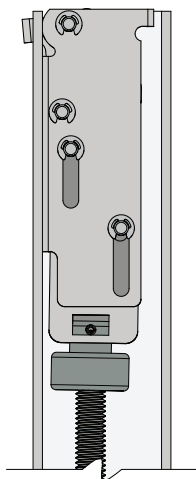


FIG. 24

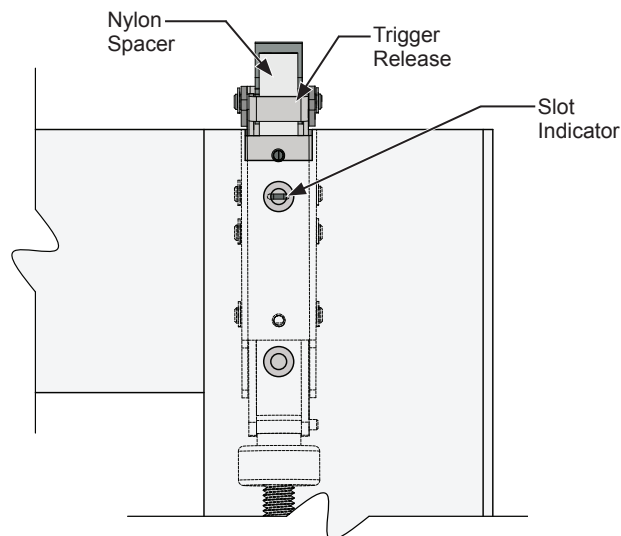


FIG. 25

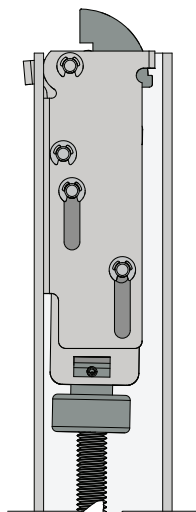


FIG. 26

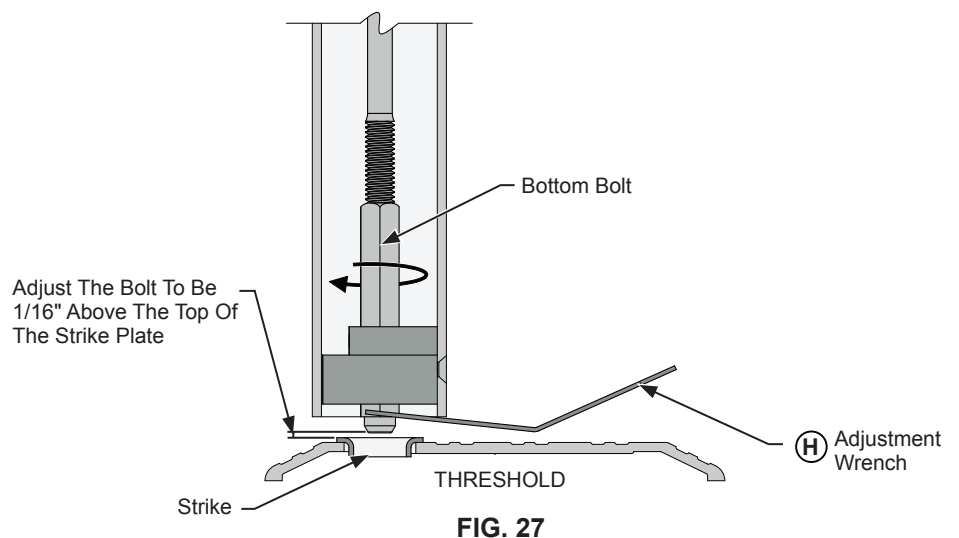
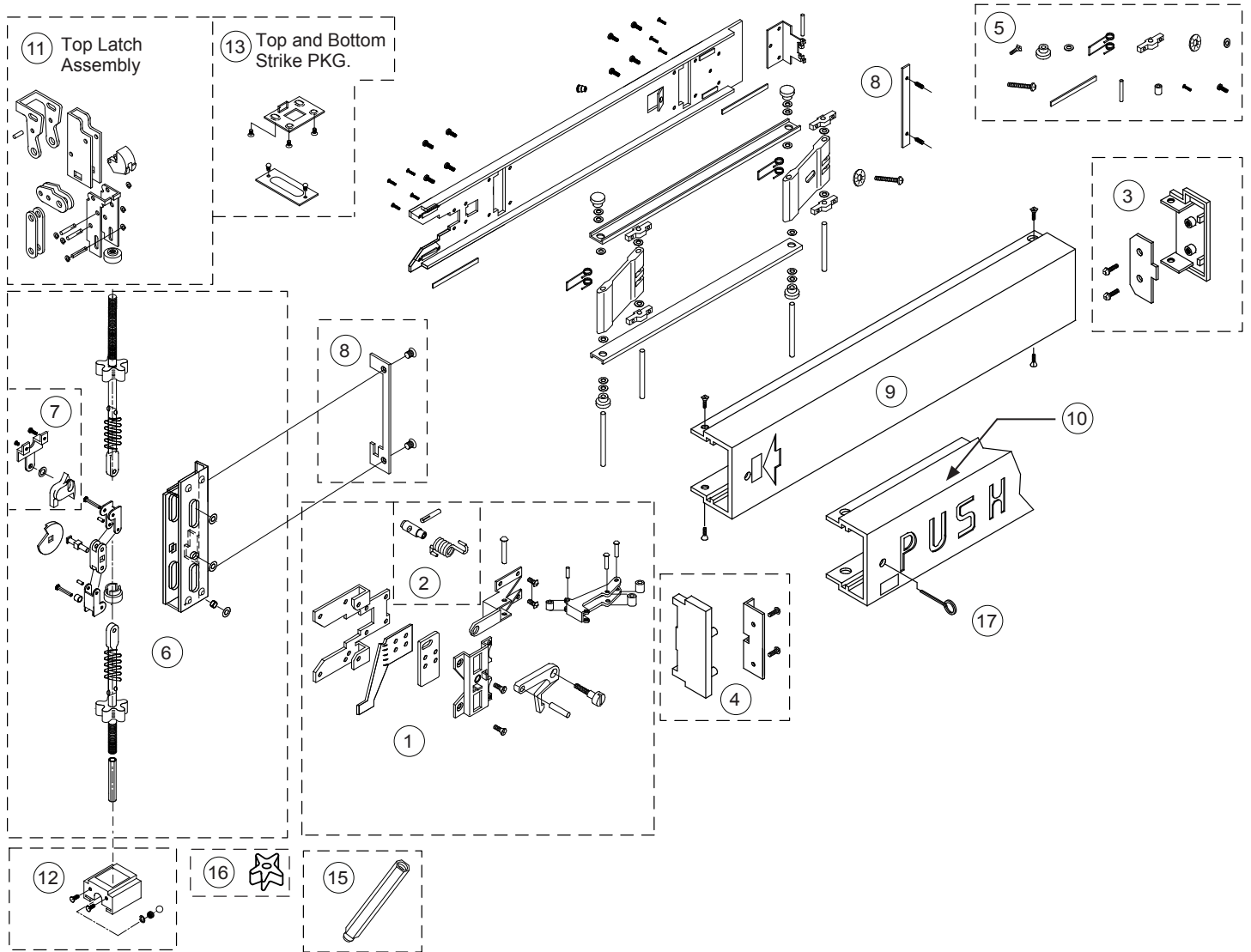


FIG. 27

NOT TO SCALE

PACKAGED PARTS AVAILABLE



Assem. No.	Part No.	Description	Assem. No.	Part No.	Description
1	30093	LHRB-Actuator Head Assembly	10	300041L	LHRB-Push-Pad-"Push" (Optional)
Not Shown	30094	RHRB-Actuator Head Assembly	Not Shown	300041R	RHRB-Push-Pad-"Push" (Optional)
2	30092	Dogging Assembly	11	302775	3185 Top Latch Assembly
3	30086	Push-Pad Inactive End Cap Assembly	12	30320	Bottom Bolt Guide Assembly
4	30088	Push-Pad Active End Cap Assembly	13	301345	Strike Package-Top and Bottom
5	30084	Body Hardware Package	15	30763P	Standard Bottom Bolt
6	302831J	LHRB-Rod and Case Assembly-7/0	16	301552PKG	Rod Silencers (12 Pkg.)
Not Shown	302827J	RHRB-Rod and Case Assembly-7/0	17	302796	Dogging Hex Key Package
7	30090	Rod and Case Hardware Package	Not Shown	30PBAW	Bolt Adjustment Wrench
8	30095	LHRB-Mounting Bracket Set	Not Shown	301347	Top Rod Extension-12"
Not Shown	30096	RHRB-Mounting Bracket Set	Not Shown	301348	Top Rod Extension-24"
9	30023	Push-Pad-Plain-Non-Handed			