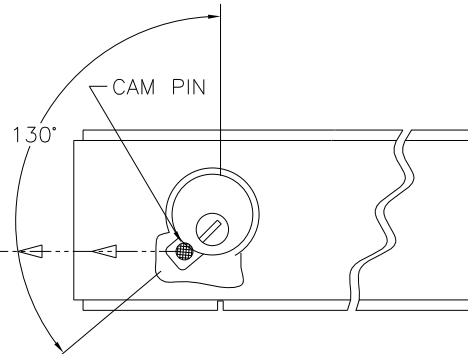
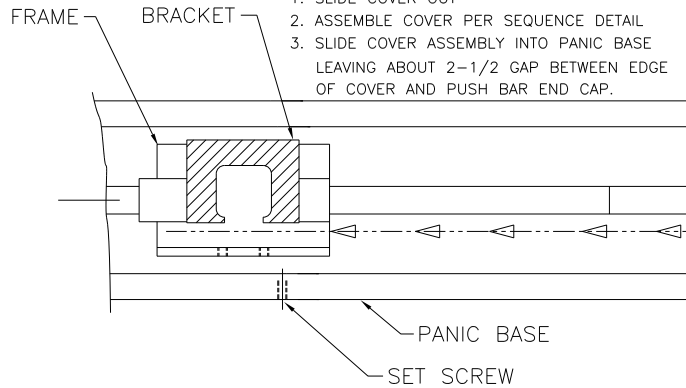
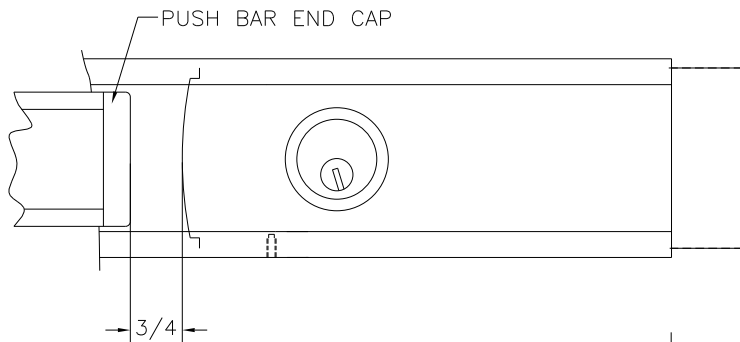


COVER ASS'Y INSTALLATION

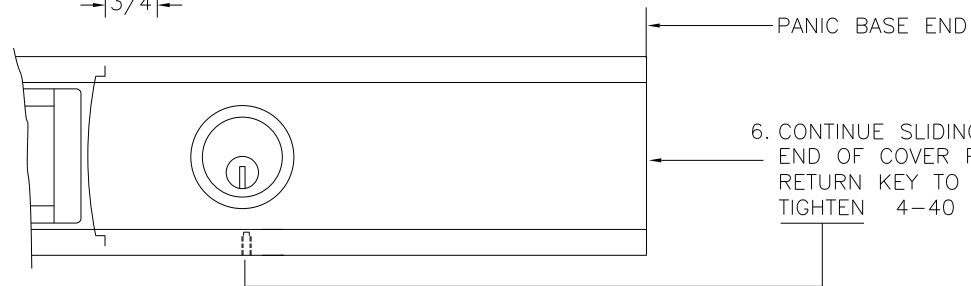
1. SLIDE COVER OUT
2. ASSEMBLE COVER PER SEQUENCE DETAIL
3. SLIDE COVER ASSEMBLY INTO PANIC BASE LEAVING ABOUT 2-1/2" GAP BETWEEN EDGE OF COVER AND PUSH BAR END CAP.



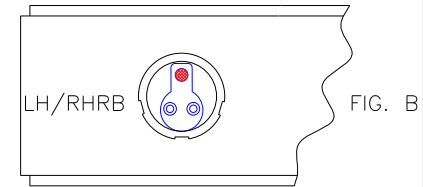
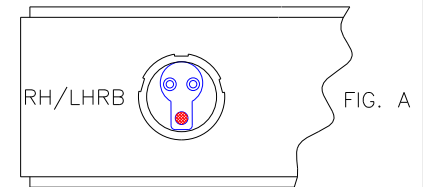
4. INSERT KEY INTO CYLINDER & TURN COUNTERCLOCKWISE APPROX. 130° UNTIL PIN LOCATION ALLOWS COVER PLATE INSERTION BETWEEN FRAME AND BRACKET.



5. SLIDE COVER PLATE ASS'Y TO APPROX. 3/4" FROM PUSH BAR END CAP, TURN KEY CLOCKWISE UNTIL IT STOPS.

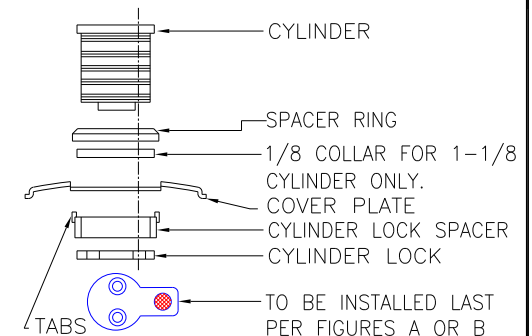


6. CONTINUE SLIDING COVER PLATE ALONG PANIC BASE UNTIL END OF COVER PLATE BECOMES FLUSH WITH PANIC BASE END, RETURN KEY TO VERTICAL POSITION AND REMOVE. TIGHTEN 4-40 SET SCREW AGAINST COVER PLATE.



COVER/CYLINDER ASSEMBLY SEQUENCE DETAIL.

1. REMOVE VENDOR SUPPLIED CYLINDER CAM.
2. INSTALL PROVIDED JACKSON CAM ASS'Y, MAINTAIN ORIGINAL DIRECTION AND LOCATION.
3. SLIDE SPACER RING ONTO CYLINDER BODY.
4. SLIDE CYLINDER AND SPACER ONTO COVER PLATE PER FIG."A" FOR RH/LHRB OR FIG."B" FOR LH/RHRB
5. SLIDE CYLINDER LOCK SPACER ASSURING THAT TABS ARE POSITIONED INTO NOTCHES ON COVER PLATE.
6. COMPLETE ASSEMBLY BY FIRMLY ATTACHING THREADED CYL. LOCK.



TO REMOVE COVER (PANIC MUST BE IN THE UN-DOGGED POS.)

1. UN-SCREW OR BACK-OFF, 4-40 SET SCREW.
2. INSERT KEY, ROTATE CCW ABOUT 10° THEN SLIDE COVER OUT APPROX. 3/4."
3. TURN KEY COUNTERCLOCKWISE UNTIL IT STOPS AND CONTINUE SLIDING COVER ALONG PANIC BASE.

DIMENSIONAL TOLERANCES UNLESS OTHERWISE SPECIFIED		APPROVALS	DATE
DECIMAL DIMENSIONS .XX ± .010	CHECKED		
DECIMAL DIMENSIONS .XXX ± .005	DRAWN	R.M.	5/27/98
ANGULAR ± ° FRACTIONAL ± 1/64	MATERIAL	SCALE	NONE

FILE NO.	FINISH
NEXT ASSY.	HEAT TREAT
QTY. USED 1	

CYLINDER DOGGING RE-KEY INSTRUCTIONS
2085C/2086C/2095C

SHEET 1 OF 1 SHEETS	REV.
DWG. NO. 10-911	A



MOUNTING INSTRUCTIONS:

1. PREPARE DOOR, HEADER AND THRESHOLD PER DWG. 10-950-2 OPPOSITE SIDE OF THIS PG. AND TEMPLATE 10-992
2. INSTALL ROD & CASE ASS'Y WITH TOP LATCH CASE INTO ACTIVE STILE. SECURE ROD & CASE ASS'Y WITH 2 EA. 1/4-20 SHOULDER BOLTS. NOTE: DO NOT SECURE TOP LATCH CASE TO STILE AT THIS TIME.
3. INSTALL BOTTOM STRIKE PLATE ON THRESHOLD WITH 2 EA. #8x3/4(19) SELF TAPPING SCREWS.
4. INSTALL 1 EA. 1/4-20 SHOULDER BOLT ON INACTIVE STILE. (IF LOCK CYL. IS NOT BEING USED SKIP NOTE #5.)
5. INSERT LOCK CYLINDER INTO LOCK MTG. PAD AND SECURE WITH LOCK RING. POSITION LOCK CYLINDER MTG. PAD ON OUTSIDE (LOCKSIDE) OF ACTIVE STILE & SECURE WITH 2 EA. 8-32x1-15/16(49) FHMS. IF TRIM IS BEING USED FOLLOW INSTRUCTION GUIDE 10-990 WITH TRIM.
6. UN-DOG PANIC DEVICE PER INSTRUCTIONS ON ACTIVE PAD
7. PLACE ACTUATOR LINK ONTO LEVER PINS (REF. DETAIL "A").
8. BEING SURE THERE IS A POSITIVE ENGAGEMENT OVER EA. END OF GROOV-PIN.
INSTALL PANIC DEVICE ON STILES ASSURING ACTUATOR LINK ENGAGES ACTUATOR PIN AS SHOWN PER DETAIL "A". TIGHTEN (2) SET SCREWS ON ACTIVE PAD (1) EA. ON INACTIVE PAD.

ADJUSTMENTS:

1. **TOP LATCH:**
PANIC MUST BE IN THE DOGGED POS. TO COMPLETE THE FOLLOWING ADJUSTMENTS.
2. POSITION TOP LATCH INTO THE OPEN POS. PER DETAIL "B" & ROTATE TOP LATCH CASE UNTIL MTG. HOLES ON LATCH CASE ARE OFF-CENTER TO C'SUNK HOLES ON ACTIVE STILE AS SHOWN PER DETAIL "D". SECURE CASE WITH (2) EA. 10-32x1/4(6) FHMS.

BOTTOM BOLT ADJUSTMENT:

1. WITH PANIC UN-DOGGED FULL DEPRESS TOUCH BAR, BOTTOM ROD WILL RETRACT & LATCH WILL ROTATE TO THE UNLOCKED POS. PER DETAIL "B". WITH LATCH IN THIS POS. ADJUST BOTTOM BOLT PER DETAIL "Z".
2. INSTALL BOLT GUIDE & SECURE WITH (2) EA. #10 SELF TAPPING SCREWS.

MANUAL CHECK:

UN-DOG PANIC DEVICE, MANUALLY POSITION TOP LATCH TO THE LOCKED OR CAPTURED POS. PER DETAIL "B-1"(BOTTOM BOLT WILL THEN EXTEND.)

OPERATIONS CHECK:

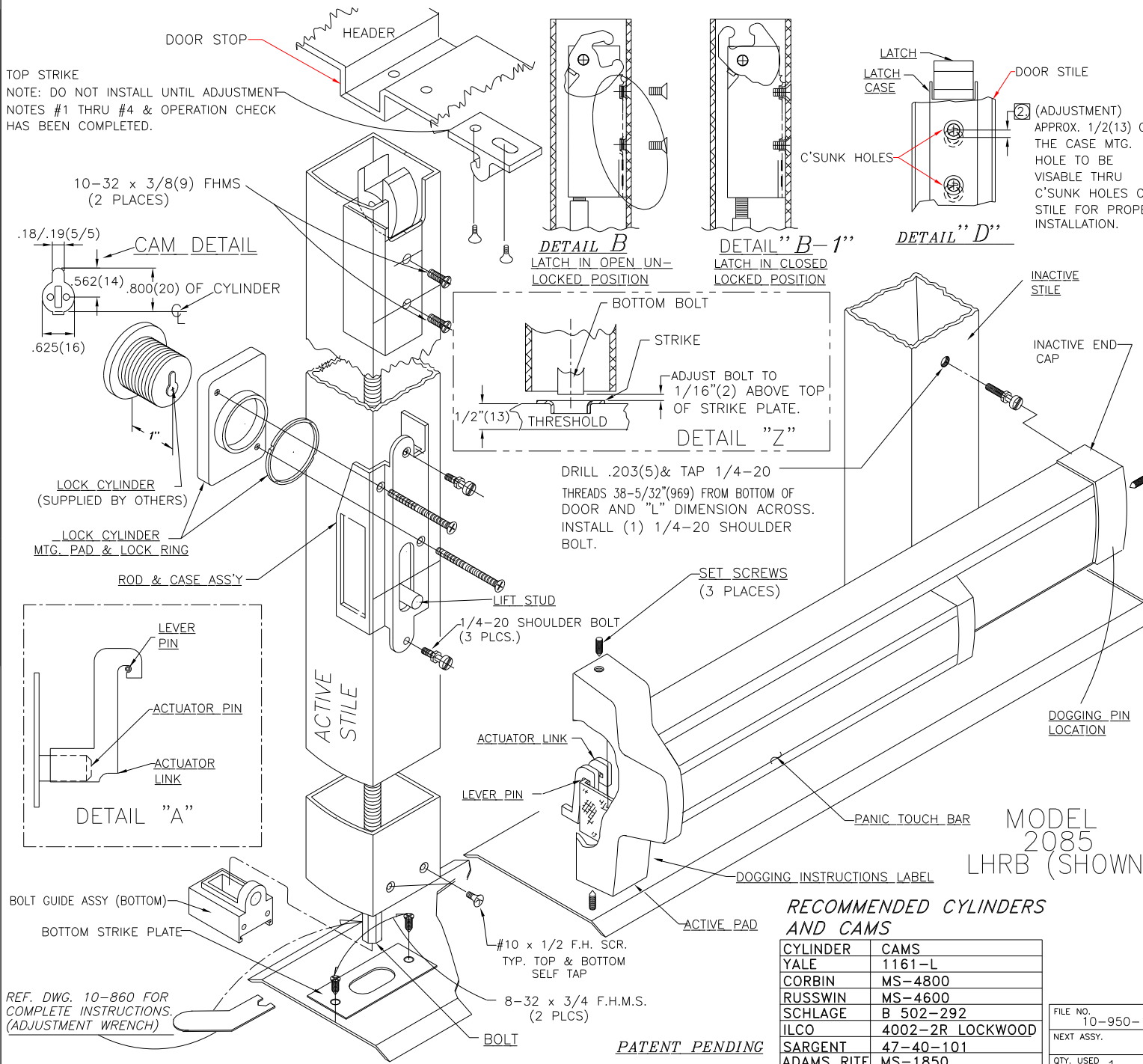
DEPRESS PANIC TOUCH BAR FULLY, BOTTOM BOLT SHOULD RETRACT TO BTM. EDGE OF DOOR STILE, TOP LATCH WILL WIND UP IN THE OPEN POSITION (DETAIL "B").

**** IMPORTANT:** IF TOP LATCH POSITIONS ITSELF TO THE OPEN POS. WITH TOUCH BAR ONLY BEING PARTIALLY DEPRESSED, OR IF TOP LATCH DOES NOT GO TO THE OPEN POS. WHEN TOUCH BAR IS FULLY DEPRESSED, REDOG PANIC & REPEAT STEPS 1 THRU 3 IF TOP LATCH IS RE-ADJUSTED BTM. BOLT MUST BE RE-ADJUSTED PER DETAIL "Z" AS WELL.

2. WHEN SYTEM WORKS PROPERLY, INSTALL TOP STRIKE WITH OVAL C'SUNK HOLES TOWARDS DOOR STOP.

DOGGING INSTRUCTIONS:

1. TO DOG: DEPRESS TOUCH BAR, PUSH DOGGING UP UNTIL IT STOPS. TO UN-DOG: PUSH DOGGING PIN UP, THE RELEASE.



RECOMMENDED CYLINDERS AND CAMS

CYLINDER	CAMS
YALE	1161-L
CORBIN	MS-4800
RUSSWIN	MS-4600
SCHLAGE	B 502-292
ILCO	4002-2R LOCKWOOD
SARGENT	47-40-101
ADAMS RITE	MS-1850

FILE NO.	10-950-1
NEXT ASSY.	
QTY. USED	1

MATERIAL	NONE
FINISH	NONE
HEAT TREAT	

C 06/06/00 ADD NOTE FOR OUTSIDE TRIM		ECN1384	RM
B 12/14/99 REF. SHT 2 OF 2		ECN1327	RM
DIMENSIONAL TOLERANCES UNLESS OTHERWISE SPECIFIED	APPROVALS	DATE	
DECIMAL DIMENSIONS .XX ± .010	CHECKED		
DECIMAL DIMENSIONS .XXX ± .005	DRAWN	RM	5/10/97
ANGULAR ± ° FRACTIONAL ± 1/64	SCALE	NONE	
INSTALLATION GUIDE		SHEET 1 OF 2 SHEETS	
2085 PANIC DEVICE & 1900 TOP LATCH		DWG. NO.	REV.
		10-950-1	C

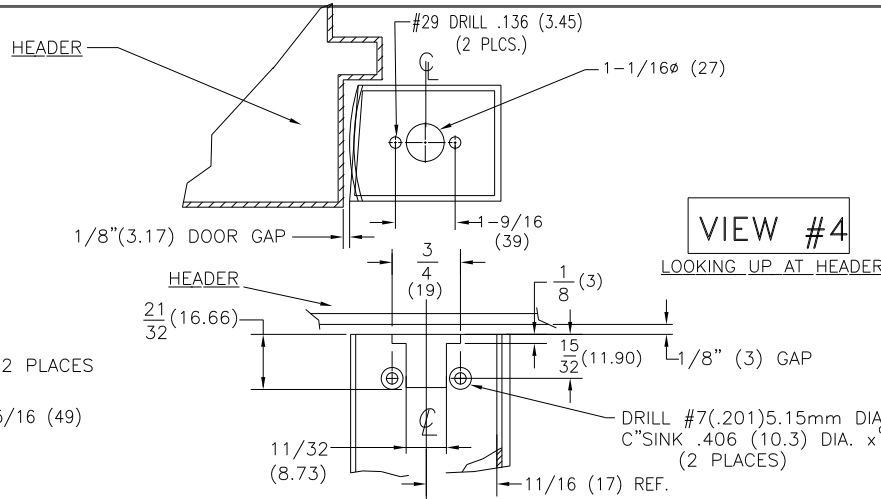
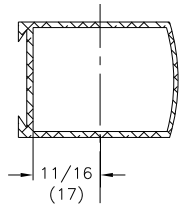


ROUTING INSTRUCTIONS:

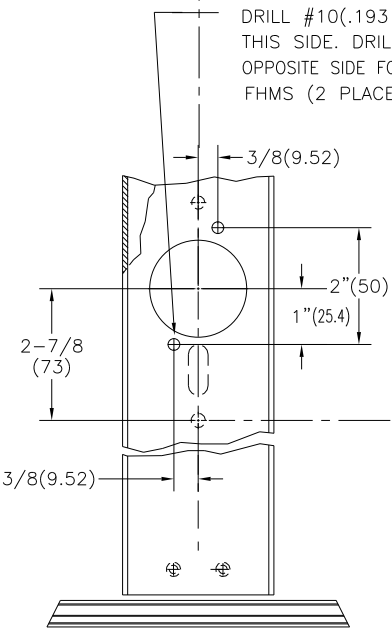
1. PREPARE INSIDE FACE (PANIC SIDE) OF ACTIVE STILE PER VIEW #1 & TEMPLATE 10-474.
2. PREPARE INSIDE FACE (PANIC SIDE) OF HINGE STILE PER VIEW #2 & TABLE "A".
3. PREPARE THRESHOLD PER VIEW #3.
4. PREPARE HEADER PER VIEW #4.
5. IF LOCK CYLINDER IS BEING USED SEE DWG. 10-476 TEMPLATE (WITH MTG. PAD).
6. IF OUTSIDE TRIM IS BEING USED, SEE DWG. 10-987 TEMPLATE (WITH TRIM.)
7. FOR MOUNTING AND ADJUSTMENTS OF THE 2086 SEE OPPOSITE SIDE THIS PAGE. (DWG. 10-952 SHEET 1 OF 2)

△ C

△ B



VIEW #4
LOOKING UP AT HEADER

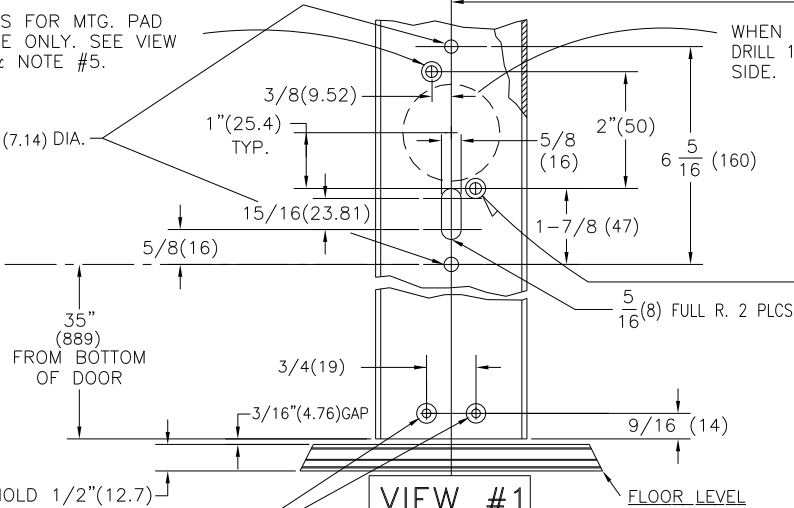


VIEW #5

OUTSIDE (LOCK SIDE) OF ACTIVE DOOR STILE SHOWING PREP. WHEN USING #86 LOCK CYLINDER MOUNTING PAD.

5. HOLES FOR MTG. PAD USAGE ONLY. SEE VIEW #5 & NOTE #5.

DRILL 9/32 (7.14) DIA.



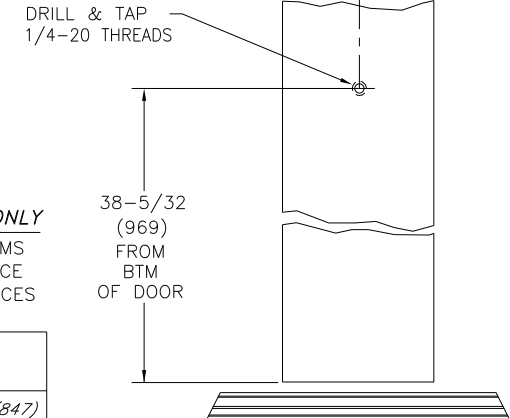
VIEW #1

DRILL & C'SINK FOR 10-32x1/2(12.7) SELF-TAP SCR. (2 PLCS.)

WHEN USING 86 LOCK ONLY DRILL 1-13/32 (35) DIA. OPPOSITE SIDE.

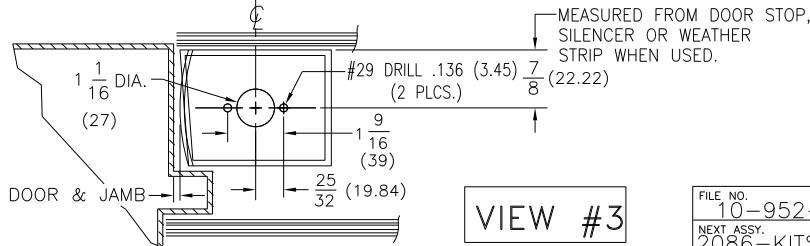
WHEN USING (86 LOCK) ONLY DRILL & C'SINK FOR #8 FHMS FRONT SIDE. DRILL CLEARANCE FROM OPPOSITE SIDE 2 PLACES

DOOR OPENING	" "	" "
36" (914)	33-13/32" (847)	
42" (1066)	39-13/32" (1001)	
48" (1219)	45-13/32" (1153)	



VIEW #2

HINGE SIDE VERTICAL STILE PANIC SIDE



VIEW #3

LOOKING DOWN ON THRESHOLD

MEASURED FROM DOOR STOP, SILENCER OR WEATHER STRIP WHEN USED.

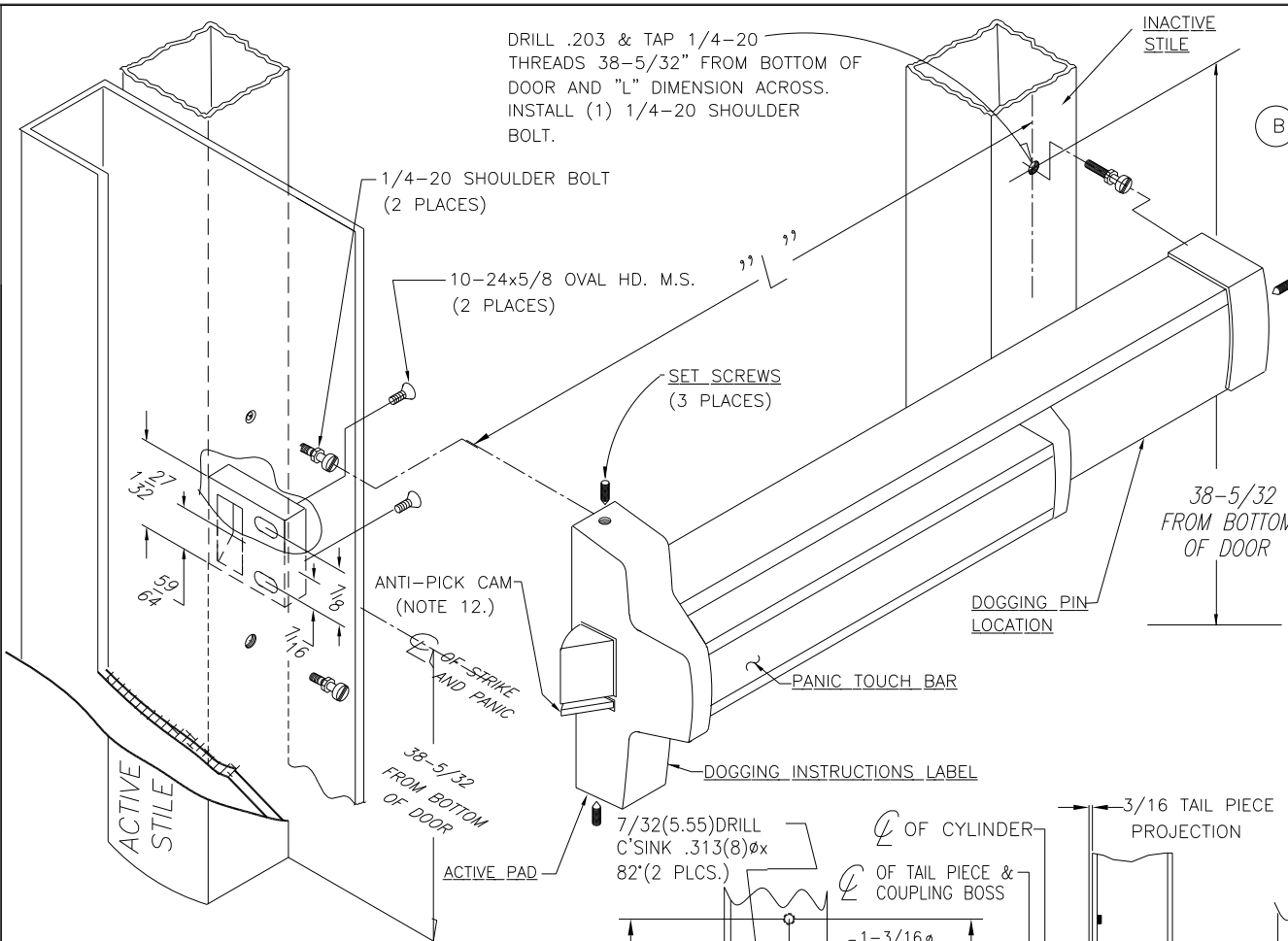
C 06/10/00 ADD NOTES FOR OUTSIDE TRIM ECN1384 RM
B 12/16/99 REDUCE "L" DIM BY .332 ECN1326 RM

DIMENSIONAL TOLERANCES UNLESS OTHERWISE SPECIFIED		APPROVALS		DATE
DECIMAL DIMENSIONS .XX ± .010	CHECKED	APPROVED		
DECIMAL DIMENSIONS .XXX ± .005				
ANGULAR ± ° FRACTIONAL ± 1/64				
MATERIAL	SCALE	RM	7/17/99	
	NONE			

FILE NO. 10-952-2
NEXT ASSY. 2086-KITS
QTY. USED

FINISH	ROUTING INSTRUCTIONS	SHEET 2 OF 2 SHEETS
HEAT TREAT	2086 CVR PANIC DEVICE	DWG. NO. 10-952
		REV. C

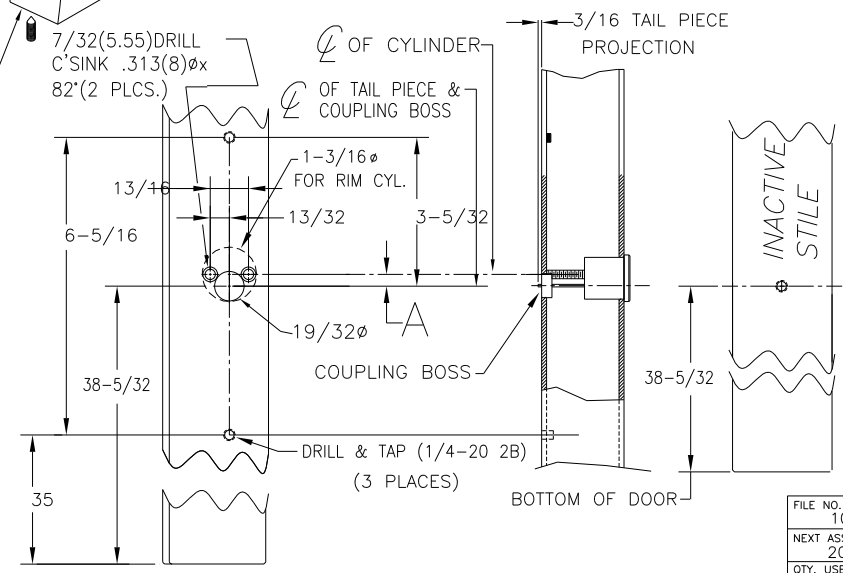
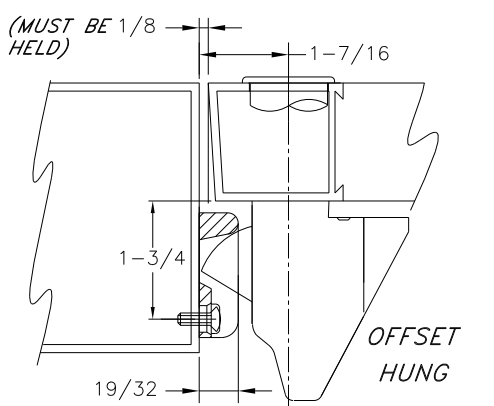




MOUNTING INSTRUCTIONS:

1. PREPARE LOCK STILE PER TEMPLATE NO. 10-916 DRILL CYLINDER MOUNTING HOLES IF REQUIRED.
2. IF OUTSIDE TRIM IS BEING USED, FOLLOW DRILL TEMPLATE 10-997.
3. LOCATE CENTERLINE OF CYLINDER ON EXTERIOR OF DOOR AND DRILL IF REQUIRED.
4. TRIM TAIL PIECE TO FIT (3/16" PROJECTION FROM INSIDE FACE OF DOOR.)
5. MOUNT CYLINDER AND SECURE WITH MOUNTING SCREWS (SUPPLIED BY LOCK MFRG.)
6. TO LOCATE MOUNTING HOLE ON INACTIVE STILE DRILL & TAP 1/4-20 THDS. 38-5/32 FROM BTM. OF DOOR AND "L" DIM FROM ACTIVE STILE, AND INSTALL SHOULDER BOLT. TO INSTALL ACTIVE PAD INSTALL TWO SHOULDER BOLTS ON STILE.
7. MOUNT EXIT DEVICE AND TIGHTEN (3) 1/4-20 SOC. SET SCR'S. (2) ON ACTIVE PAD (1) ON INACTIVE END OF PANIC DEVICE.
8. TO INSTALL STRIKE LOCATE 10-24 TAPS ON ACTIVE STILE (2 PLACES).
9. MOUNT AND SECURE STRIKE.
10. CHECK OPERATION TO ASSURE THAT ALL PARTS INCLUDING CYLINDER IF BEING USED ARE FUNCTIONING PROPERLY.
11. DOGGING INSTRUCTIONS
 TO DOG: :FULLY DEPRESS TOUCH BAR, PUSH DOGGING PIN, THEN RELEASE.
 TO UNDOG PUSH DOGGING PIN UP, BAR WILL RELEASE.
12. WHEN ANTI-PICK CAM IS DEPRESSED BY STRIKE (BY HAVING DOOR CLOSED) LATCH WILL NOT RETRACT.

MODEL
2095 "S" STRIKE
LHRB (SHOWN)



FUNCTIONAL CYLINDERS	A	DOOR OPENING	"L"
ILCO LOCKWOOD YALE CORBIN SCHLAGE RUSSWIN WELCH KEIL	1/4" (6.35)	36" (914)	33-13/32" (848)
		42" (1066)	39-13/32" (1001)
		48" (1219)	45-13/32" (1153)
SARGENT	3/8" (9.53)		

C 11/18/00 ADD NOTES FOR OUTSIDE TRIM ECN1439 RM
 B 12/13/99 REDUCE "L" DIM BY 11/32 ECN1326 RM

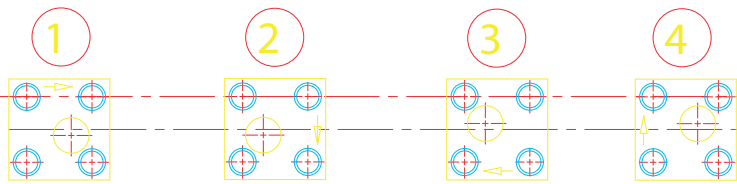
DIMENSIONAL TOLERANCES UNLESS OTHERWISE SPECIFIED	APPROVED	DATE
DECIMAL DIMENSIONS .XX ± .010	CHECKED	
DECIMAL DIMENSIONS .XXX ± .005	DRAWN	RM 8/17/99
ANGULAR ± ° FRACTIONAL ± 1/64	SCALE	NONE

FILE NO. 10-953 MATERIAL NONE
 NEXT ASSY. 2095-KITS FINISH NONE
 QTY. USED 1 HEAT TREAT

INSTALLATION GUIDE
 2095 RIM DEVICE x "S" STRIKE

SHEET 1 OF 1 SHEETS
 DWG. NO. 10-953
 REV. C

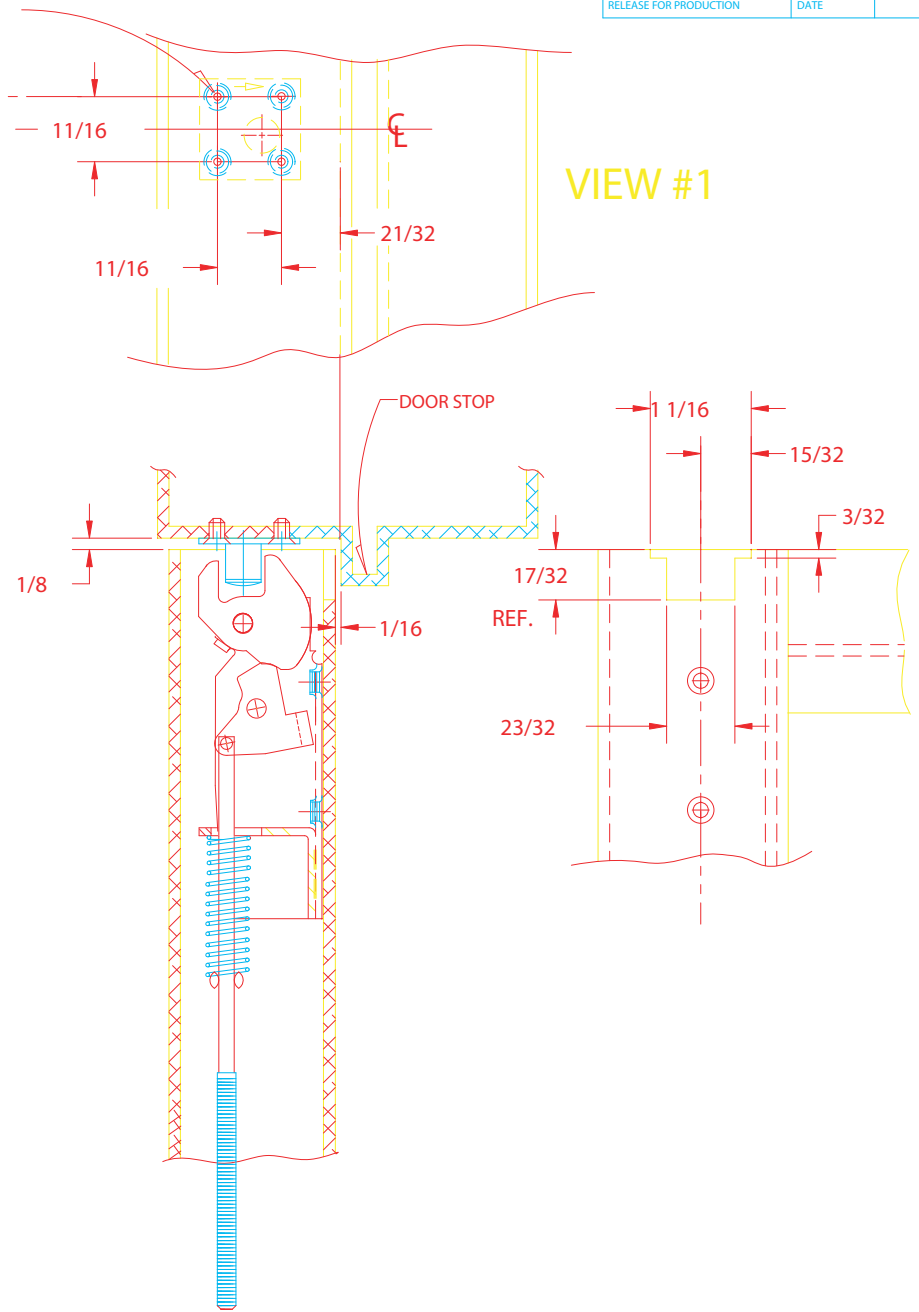
JACKSON CORPORATION
 3447 UNION PACIFIC AVE.
 LOS ANGELES, CALIF. 90023



- 1 ARROW POINTING TOWARDS DOOR STOP.
- 2 DISTANCE 1/8 GREATER
- 3 DISTANCE 1/16 GREATER
- 4 DISTANCE 1/16 LESS

DRILL & TAP FOR 8-32 FHMS (UND) (4 PLACES)

OF-TOP LATCH



ROUTING AND INSTALLATION INSTRUCTIONS

1. PREPARE HEADER PER VIEW #1
2. POSITION STRIKE WITH ARROW AS SHOWN IN VIEW #1 AS A STARTING POINT.
3. ROTATE STRIKE TO INCREASE OR DECREASE GAP PER VIEWS 2, 3, OR 4
4. NOTE: 1/8 MAX. CLEARANCE BETWEEN DOOR AND HEADER MUST BE MAINTAINED IF GREATER, SHIM STRIKE TO MAINTAIN GAP.

DIMENSIONAL TOLERANCES UNLESS OTHERWISE SPECIFIED		APPROVALS	DATE
DECIMAL DIMENSIONS XX .010	+	APPROVED	
DECIMAL DIMENSIONS XXX .005	+	CHECKED	
ANGULAR ± °	FRACTIONAL ± 1/64	DRAWN	R.M. 8/12/96

FILE NO.	864
NEXT ASSY.	
QTY. USED	1

MATERIAL	
FINISH	
HEAT TREAT	

SCALE	NONE
INSTALLATION INSTR.	AJUSTABLE STRIKE (2185/3185)

jackson CORPORATION

3447 UNION PACIFIC AVE.
LOS ANGELES, CALIF. 90023

SHEET OR SHEETS	1
DWG. NO.	10-864
REV.	A