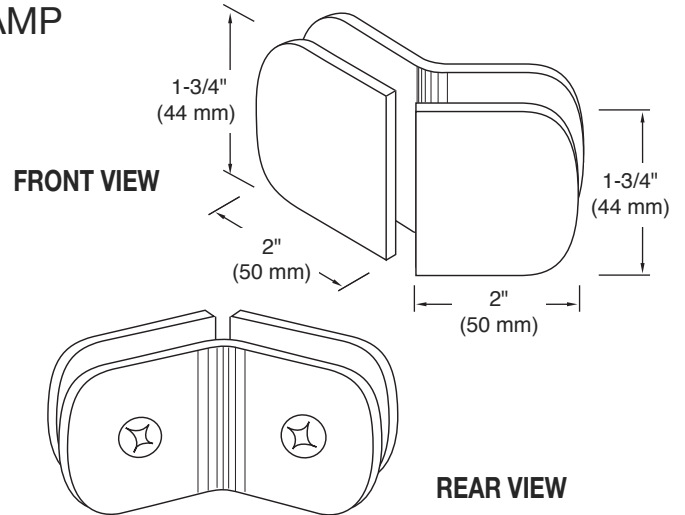
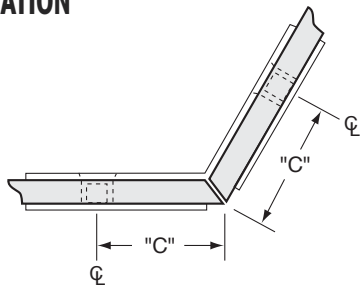


# HORIZON®

## C-R135 GLASS CLAMP

### TYPICAL INSTALLATION

**Important:** Project measurements from the outside of the mitered glass.



### Glass Thickness

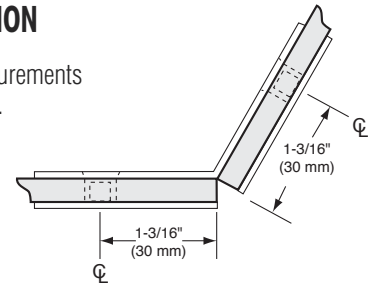
### "C" Measurement

1/4" (6 mm)	1-5/16 (33 mm)
5/16" (8 mm)	1-3/8 (35 mm)
3/8" (10 mm)	1-3/8 (35 mm)
1/2" (12 mm)	1-7/16 (36 mm)

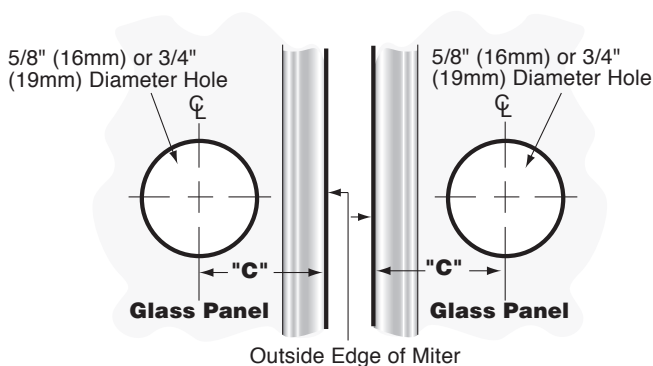
\*From outside edge of miter

### TYPICAL INSTALLATION

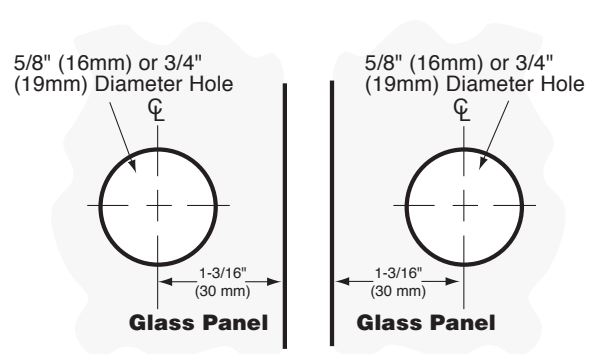
**Important:** Project measurements from the edge of the glass.



### TEMPLATE OPTION FOR 22-1/2° MITERED GLASS



### TEMPLATE OPTION FOR SQUARE CUT GLASS



**NOTE:** Drawings not to scale.

**US HORIZON**

[ushorizon.com](http://ushorizon.com)

28577 Industry Drive, Valencia, CA 91355

Toll Free Phone: (877) 728-3874

Phone: (661) 775-1675

Toll Free Fax: (888) 440-9567

Fax: (661) 775-1676