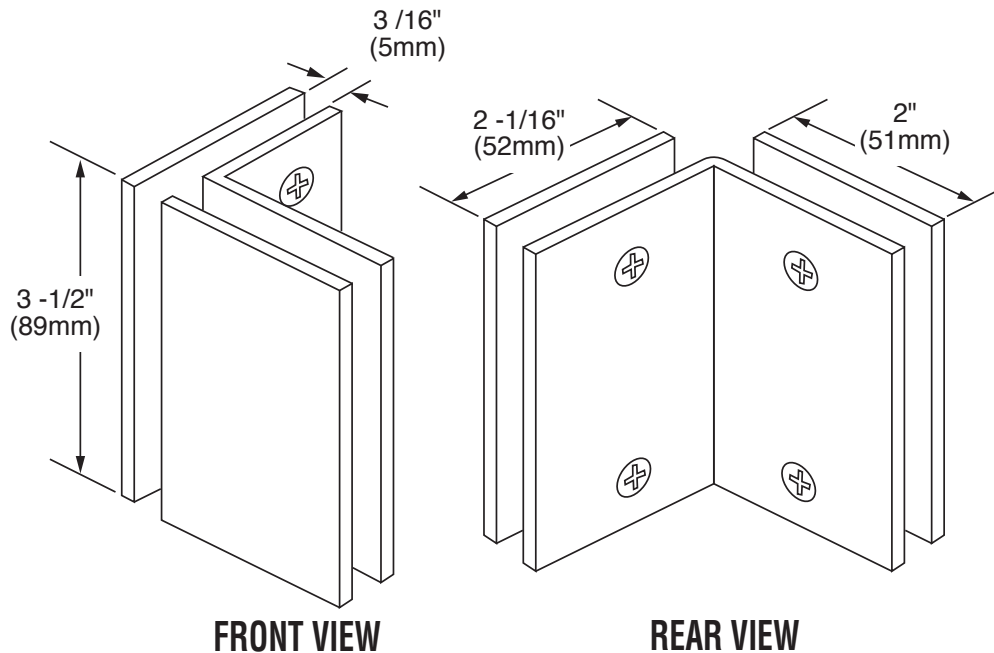


HORIZON®

DESIGNER SERIES GLASS CLAMP C-90GTG



Specifications:

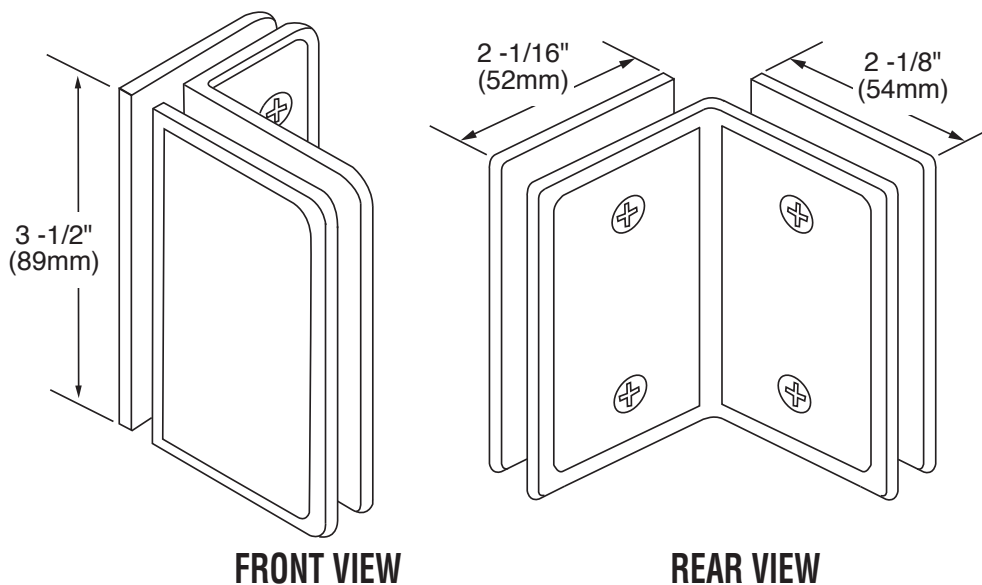
Material: Solid Brass

Glass Thickness: 3/8" (10mm) to
1/2" (12mm)

Hole Size Required: 3/4" (19mm)

Includes: Mounting screws
and gaskets

PREMIER SERIES GLASS CLAMP C-P90GTG



Specifications:

Material: Solid Brass

Glass Thickness: 3/8" (10mm) to
1/2" (12mm)

Hole Size Required: 3/4" (19mm)

Includes: Mounting screws
and gaskets

Note: Drawings not to scale.

US HORIZON

ushorizon.com

28577 Industry Drive, Valencia, CA 91355

Toll Free Phone: (877) 728-3874

Toll Free Fax: (888) 440-9567

Phone: (661) 775-1675

Fax: (661) 775-1676