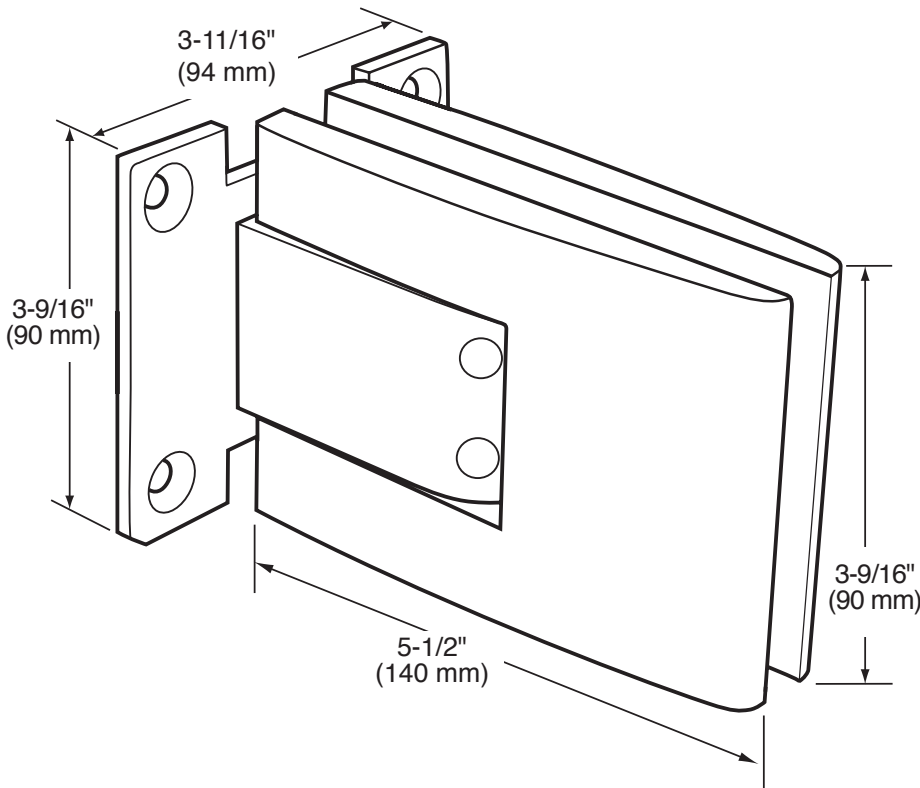


HORIZON®

AUGUST SERIES HINGE H-ATGTW



Important Information:

This August Hinge is spring-loaded and designed to self-close from virtually any position. There is an adjustment to allow for increased self-closing strength. The August Hinge also provides fine-tune adjustability to the self-closing location.

Specifications:

Glass Thickness Range: 5/16" to 1/2" (8 to 12 mm)

Construction: Solid Brass

Hinge Swings: 90 Degrees Inward and Outward

Closing Type: Automatic Closing From Any Position and Precise Closing to 0 Degrees

Cutout and Hole Required

Includes: Gaskets, Screws and Glass Fabrication Dimensions

Use of Gaskets:

For 5/16" (8 mm) Glass: Use one thick gasket on each side

For 3/8" (10 mm) Glass: Use one medium gasket on each side

For 1/2" (12 mm) Glass: Use one thin gasket on each side

Recommendations:

For public safety, we recommend the use of only tempered safety glass. Do not use power tools when installing these hinges.

*Maximum Door Capacities	5/16" (8 mm) Glass		3/8" (10 mm) Glass		1/2" (12 mm) Glass	
	Weight	Width	Weight	Width	Weight	Width
*Using 2 Hinges	140 lbs. (63.5 kg)	39" (991 mm)	140 lbs. (63.5 kg)	39" (991 mm)	140 lbs. (63.5 kg)	39" (991 mm)

Maintenance Guidelines:

• Our hinges are greased at the factory for quiet and trouble-free operation. If there is any squeaking that occurs after installation, put a drop of "3 in 1 Oil" (also known as "household oil") on the washer that the hinge body pivots on. This washer is the component that acts as a buffer, so the body of the hinge doesn't pivot directly on the brass center block. This solution doesn't require the disassembly of the hinge.

Note: Do not use spray lubricant on these hinges. If the hinge has been disassembled, upon re-assembly, use white lithium grease to lubricate the interior mechanism.

• Never use an abrasive cleaner on the hardware. Many of the components are coated with a clear lacquer that will be irreparably damaged if subjected to harsh, abrasive chemicals. Advise your customer that drying the hardware with a clean, soft towel on a daily basis is the best way to maintain the hardware. If mineral deposits build-up, mix a couple of drops of a mild liquid soap (such as Ivory or a similar product) into a cup of warm water. Using a soft, non-abrasive cloth, clean the hardware. Rinse thoroughly with clean, warm water and dry.

Note: Drawing not to scale.

US HORIZON

ushorizon.com

28577 Industry Drive, Valencia, CA 91355

Toll Free Phone: (877) 728-3874

Toll Free Fax: (888) 440-9567

Phone: (661) 775-1675

Fax: (661) 775-1676