

# SHORIZON®

---

**IMPORTANT NOTE: Refer to 90° Instructions if enclosure has a 90° angle. Do not use these 180° Instructions.**

## **Assembly Instructions for 180° Citadel Shower Doors:**

1. Determine the location of the fixed panel on the curb. As a guideline, when no vertical fastener is used a 1/8" (3mm) clearance is recommended.
2. Fasten the fixed panel to the curb, using pre-determined choice of clamps or u-channel.  
(AU-LP38 u-channel is included) Install channel at bottom of fixed panel using 2 screws and anchors that are provided.
3. Cut the Sliding Shower Door Upper Track 1/16" (1.5 mm) shorter than the wall-to-wall tight dimension where the track is to be mounted.
4. On the fixed panel, measure from the edge of the glass that butts the wall, to the center of the holes in the fixed panel of glass at the top. Determine the correct location to set the connectors into the Sliding Shower Door Upper Track (see step 5).
5. Using the distance to the holes in the fixed panel glass, add the pre-determined clearance allotted between the fixed glass and the vertical wall the fixed panel butts. These figures will determine exactly where the holes will be located in the Sliding Shower Door Upper track. For example: If the center of the hole at the top of the glass is located 6" (152 mm) in from the wall-butting edge, and a clearance between the glass and the wall has been set at 1/8" (3 mm), the hole location for the connector would be set at 6-1/8" (155 mm) in from the end of the Sliding Shower Door Upper Track.
6. Measure from the end of the Sliding Shower Door Upper Track to mark where the holes for the connectors are to be drilled.
7. Using the Drilling Guide and Drill Bit provided, drill clearance holes in the Sliding Shower Door Upper Track (see Figure 1).
8. Slide the connecting nut into the race in the interior of the Sliding Shower Door Upper Track, and align to the clearance hole (see Figure 2).
9. Fasten the connector to the Sliding Shower Door Upper Track snugly, using the stud provided.
10. To determine the correct location for the Wall to Upper Track "L" shaped brackets, first establish where the center of the sliding panel will close. The sliding panel is centered within the Sliding Shower Door Upper Track. It is important to note the distance between the sliding panel and the fixed panel. Between the two pieces of glass there is a 1-3/16" (21 mm) gap. So, if 3/8" (10 mm) glass were being used, from the centerline of the sliding panel to the centerline of the fixed panel the distance is 1-3/16" (30 mm). Use this information to locate the Wall to Upper Track "L" shaped brackets. The highest part of this kit is the fixed panel, which is 1/2" (12 mm) higher than the top of the Sliding Shower Door Upper Track. From the top of the fixed panel down to the center of the hole drilled in the wall, the dimension is 1-5/8" (41 mm). Therefore, from the top of the Sliding Shower Door Upper Track to the center of the hole for the Wall to Upper Track brackets is 1-1/8" (29 mm) (see diagram on next page).
11. At this time the Roller Stops and Glass Hangers will be inserted into the Upper Track. Insert one of the Roller Stops into the end of the Upper Track. Next, insert both of the Glass Hangers into the end of the Upper Track with the clamping screws facing into the shower. Lastly, insert the second Roller Stop into the same end of the Upper Track. The end result should be: Roller Stop, Glass Hanger, Glass Hanger and Roller Stop.
12. The Sliding Shower Door Upper Track is now to be mounted into place. Slip the Upper Track over the top of the "L" brackets.
13. Using the screws provided, permanently fasten the Upper track to the "L" brackets.
14. Mount the fixed panel on the curb and position the holes at the top of the panel into the connectors.
15. With the plastic washers in place, permanently tighten down the blind fasteners through the holes in the glass.
16. Fasten the bottom guide to the curb.
17. Position the sliding door in the opening by setting the sliding door on tapered wood shims.
18. Roll the Glass Hangers into alignment with the holes at the top of the sliding door glass.
19. Once the door is adjusted to the correct location insert the correct size white nylon spacer to surround the Allen screw. Use the thickest spacer that will fit in the hole and still allow the screw to pass through the hole in the middle of the spacer. The spacer is used to assure the door will maintain the correct positioning. Tighten the Glass Hangers permanently to the glass.
20. Remove the wood shims from under the sliding door.

---

**US HORIZON**

**ushorizon.com**

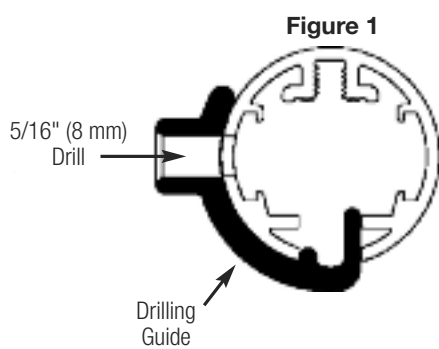
28577 Industry Drive, Valencia, CA 91355

Toll Free Phone: (877) 728-3874      Toll Free Fax: (888) 440-9567

Phone: (661) 775-1675      Fax: (661) 775-1676

# SHORIZON®

21. To limit the sliding range of the door and assure safe usage, place the Roller Stops in the header using screws provided.
22. Install Knobs, Handles, or Towel Bars that you may be using. (FP-214 is included) requires 1-7/8" (48mm) hole.
23. Apply PWJ-P98 ("L" shaped vinyl) on the wall, using double-sided clear VHB tape. The vinyl should be positioned so that the door slides into the small "nub" that protrudes from the surface of the vinyl.  
This will help act as a bumper.
24. An optional piece of Threshold (included in kit) may also be installed at this time. It is simply siliconed to the floor under the sliding portion of the door.
25. Test the unit by sliding the door back and forth to make sure the Roller Stops are in the correct position.



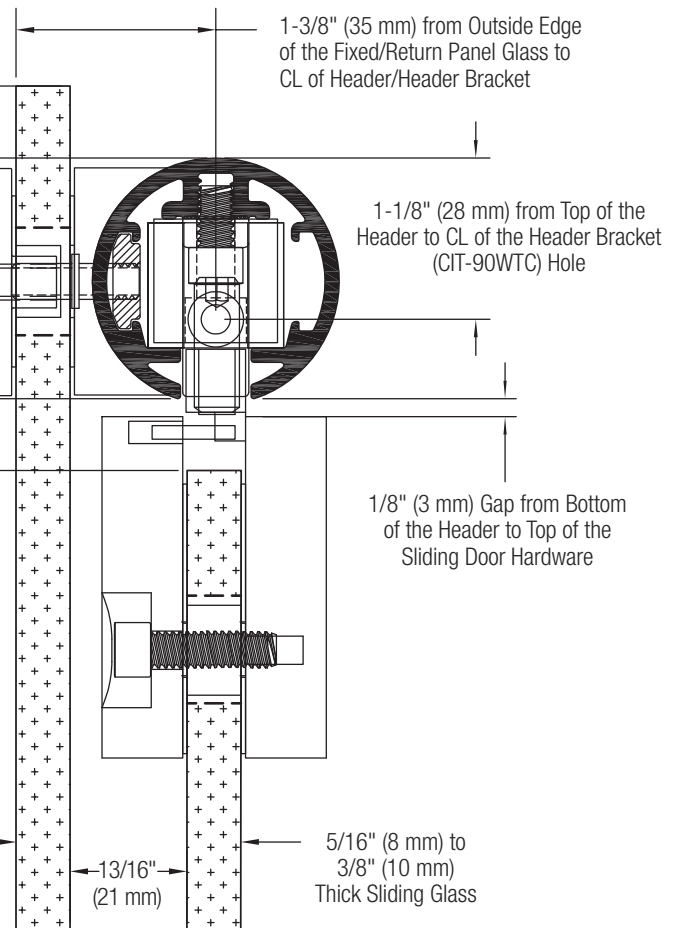
## Cross Section Diagram

(See step 10 on previous page)

1/2" (12 mm) from Top of the Fixed Glass to Top of the Header

1/2" (12 mm) from Bottom of the Header to Top of the Sliding Glass

5/16" (8 mm) to 3/8" (10 mm) Thick Fixed Glass



Note: Drawings not to scale.

**US HORIZON**

[ushorizon.com](http://ushorizon.com)

28577 Industry Drive, Valencia, CA 91355

Toll Free Phone: (877) 728-3874

Toll Free Fax: (888) 440-9567

Phone: (661) 775-1675

Fax: (661) 775-1676

# SHORIZON®

## USH Citadel Sliding Shower Door

### Glass and Metal Cutting Formula 180 Degree Application

#### Specifications:

Overall width = Wall to wall distance

Overall height = Height from curb to top of fixed glass

Fixed glass panel extends 1/2" (12 mm) above top of the header

Fixed glass height formula is based on using "U" Channel or clamps. A 3/16" (5 mm) standard deduction is used at the bottom of the fixed panel.

Fixed and sliding glass panels overlap is 2" (51 mm)

Standard gap in between wall and fixed and/or sliding glass is 1/8" (3 mm)

Header height is 1-11/16" (43 mm)

Gap between sliding glass panel and bottom of the header is 1/2" (12 mm)

Gap in between fixed and sliding glass panels is 13/16" (21 mm)

Sliding glass height formula is based on using a 5/16" (8 mm) standard deduction at the bottom.

#### Metal Size Cutting Formula:

Header = Overall width measurement less 1/16" (1.5 mm)

#### Glass Size Cutting Formula:

Width of fixed and/or sliding glass = Overall width divided by 2, plus 7/8" (22 mm)

Height of fixed glass = Overall height - 3/16" (5 mm)\*

Height of sliding glass = Overall height - 3" (76 mm)\*

\* Reminder - Overall height is determined from curb to top of fixed glass

**For glass drilling instructions, see next page**

**US HORIZON**

**ushorizon.com**

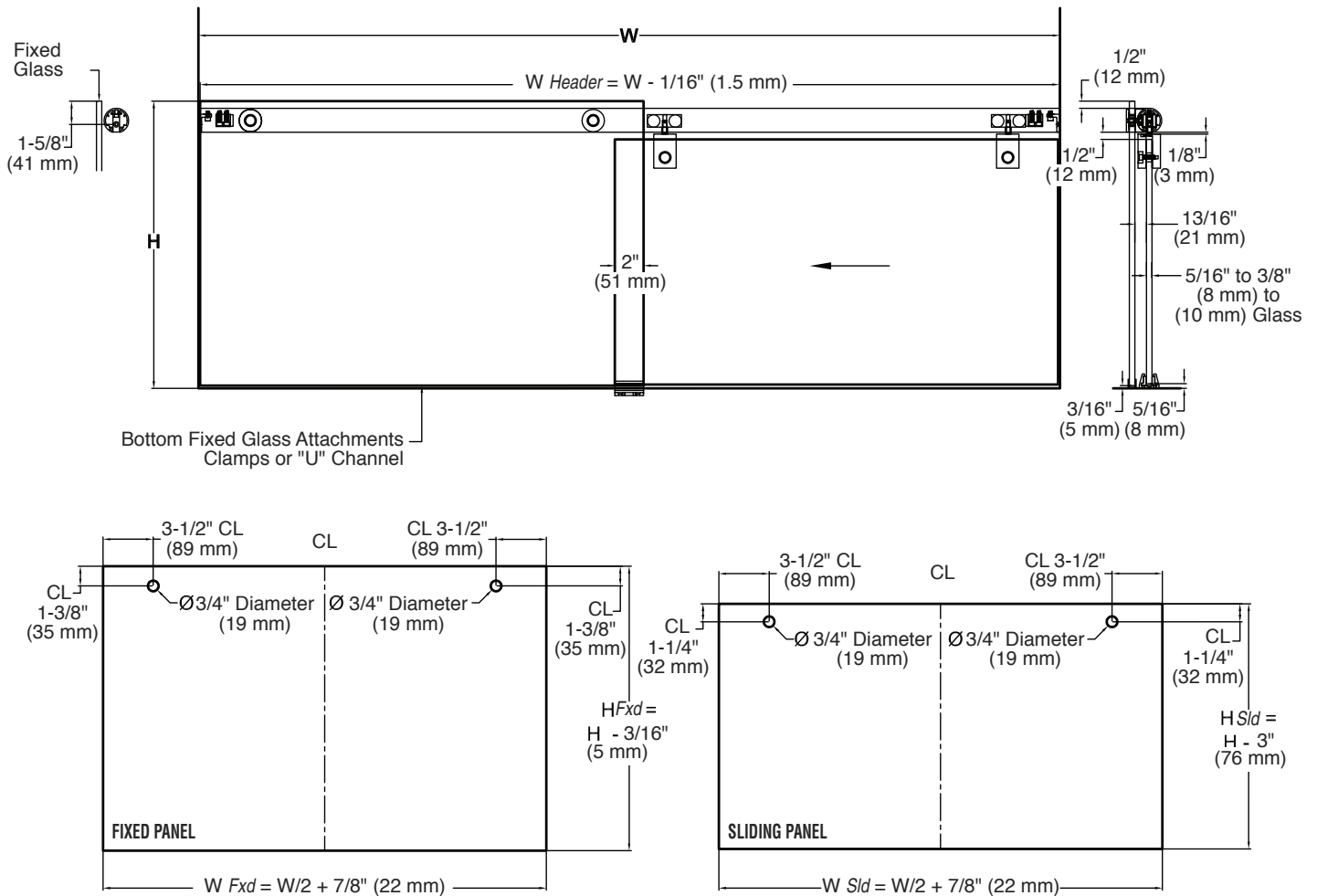
28577 Industry Drive, Valencia, CA 91355

Toll Free Phone: (877) 728-3874      Toll Free Fax: (888) 440-9567

Phone: (661) 775-1675      Fax: (661) 775-1676

# SHORIZON®

**W = Width**  
**H = Height**



**Flush Pull Knob:** (FP-214) requires 1-7/8" (48mm) hole.

Note: Drawings not to scale.

**US HORIZON**

[ushorizon.com](http://ushorizon.com)

28577 Industry Drive, Valencia, CA 91355

Toll Free Phone: (877) 728-3874 Toll Free Fax: (888) 440-9567

Phone: (661) 775-1675 Fax: (661) 775-1676