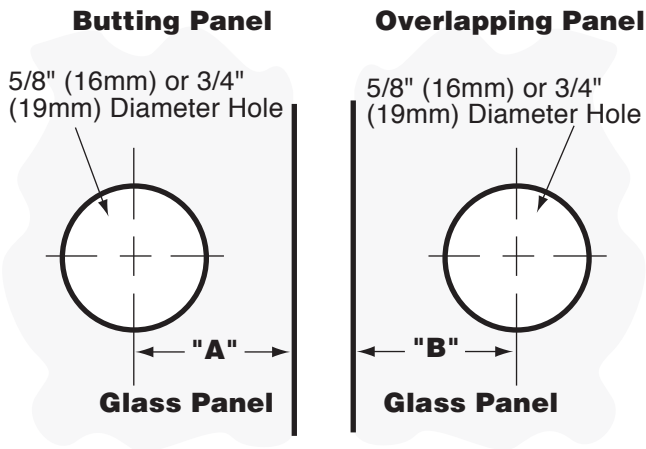


HORIZON®

C-R90 CAMBERED FACE GLASS CLAMP

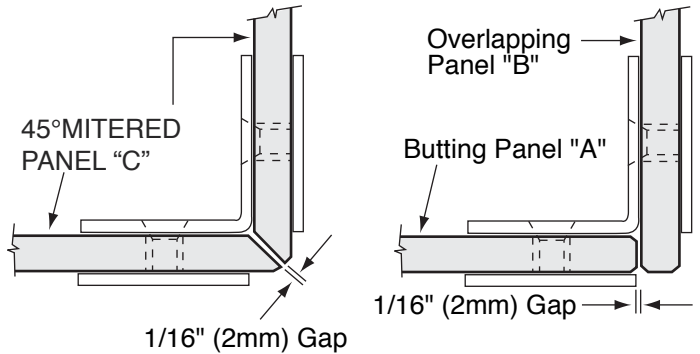
Template Option for Square Cut Glass



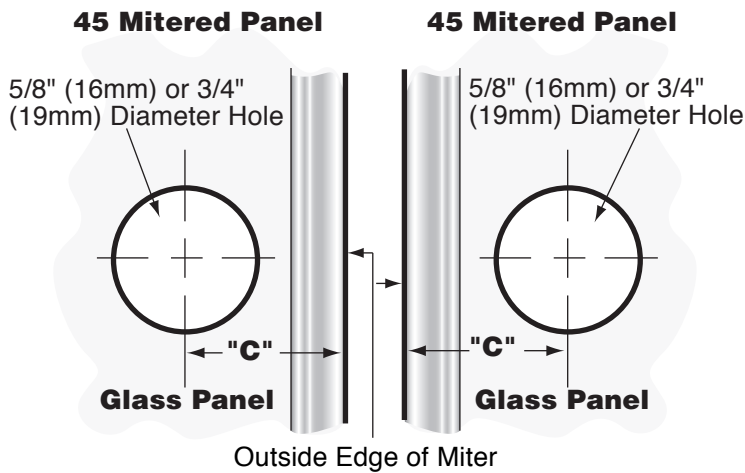
Glass Thickness	"A" Measurement	"B" Measurement
1/4" (6mm)	1-3/16" (30mm)	1-1/2" (38mm)
5/16" (8mm)	1-3/16" (30mm)	1-9/16" (40mm)
3/8" (10mm)	1-3/16" (30mm)	1-5/8" (42mm)
1/2" (12mm)	1-3/16" (30mm)	1-3/4" (44mm)

Typical Installation

Important: Project measurements from the outside of the mitered glass.



Template Option for 45° Mitered Glass



Glass Thickness	"C"* Measurement
1/4" (6mm)	1-7/16" (37mm)
5/16" (8mm)	1-1/2" (38mm)
3/8" (10mm)	1-9/16" (40mm)
1/2" (12mm)	1-11/16" (42mm)

*From outside edge of miter

Note: Drawings not to scale.

US HORIZON

ushorizon.com

28577 Industry Drive, Valencia, CA 91355

Toll Free Phone: (877) 728-3874

Toll Free Fax: (888) 440-9567

Phone: (661) 775-1675

Fax: (661) 775-1676