

HORIZON®

DESIGNER SERIES GLASS CLAMPS

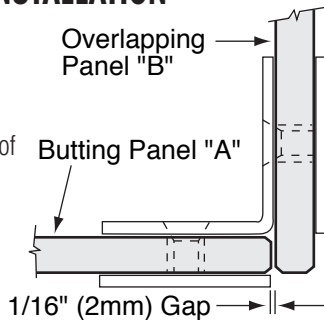
C-90GTG

PREMIER SERIES GLASS CLAMPS

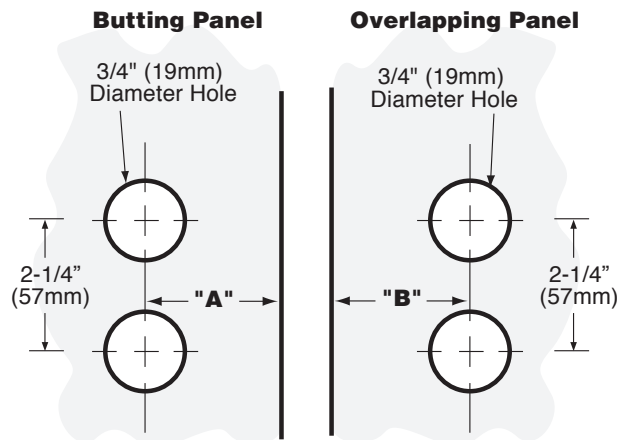
C-P90GTG

TYPICAL INSTALLATION

Important:
Project
measurements
from the edge of
the glass.



TEMPLATE OPTION FOR SQUARE CUT GLASS



**Glass
Thickness**

3/8" (10mm)

1/2" (12mm)

**"A"
Measurement**

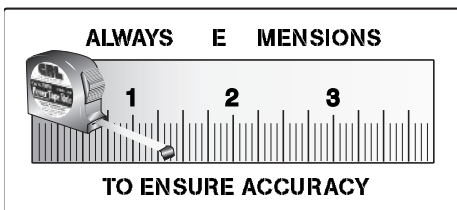
1-3/8" (35mm)

1-3/8" (35mm)

**"B"
Measurement**

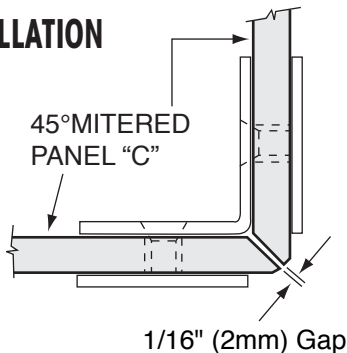
1-13/16" (46mm)

1-15/16" (49mm)



TYPICAL INSTALLATION

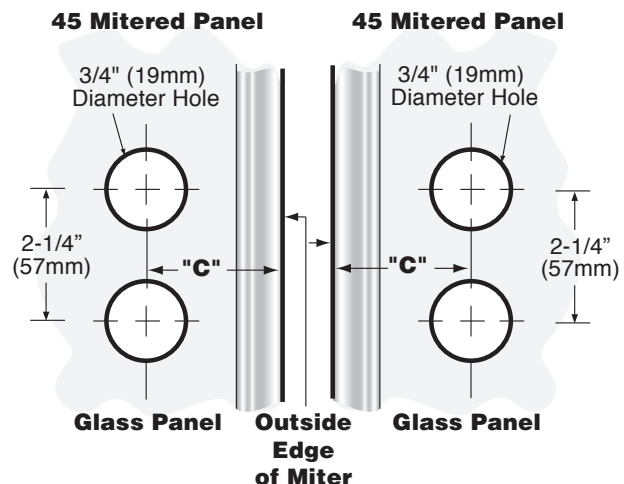
Important:
Project
measurements
from the outside of
the mitered glass.



| Glass Thickness | "C"* Measurement |
|--------------------|---------------------|
| 3/8" (10mm) | 1-3/4" (44mm) |
| 1/2" (12mm) | 1-7/8" (47mm) |

*From outside edge of miter

TEMPLATE OPTION FOR 45° MITERED GLASS



Note: Drawings not to scale.

US HORIZON

ushorizon.com

28577 Industry Drive, Valencia, CA 91355

Toll Free Phone: (877) 728-3874

Toll Free Fax: (888) 440-9567

Phone: (661) 775-1675

Fax: (661) 775-1676