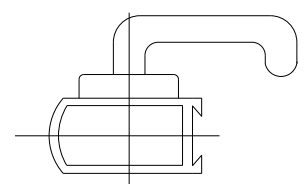
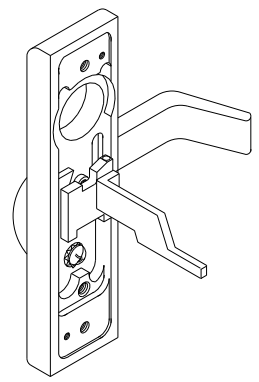
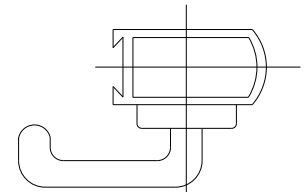


DRILL & C'SINK FOR
10-24 x 2-1/8 FHMS
2 PLACES

← 1275 PANIC

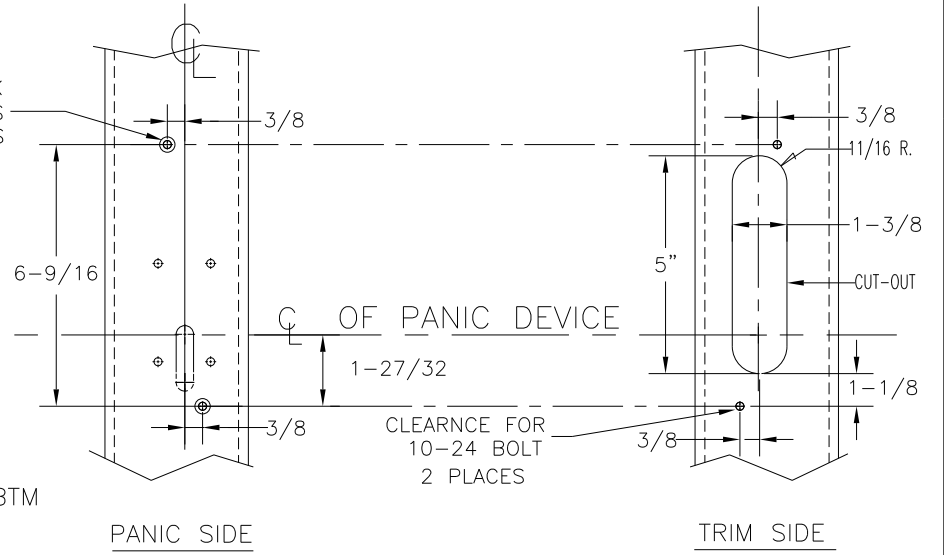


LOCATION OF ϕ
PER DWG. 10-1082



DRILL & C'SINK
FOR 10-24 FHMS
2 PLACES

40" FROM BTM
OF DOOR



7500LV-02 OUTSIDE TRIM (SHOWN)
WITH FLAT LEVER

B 4.29.05 ADD REF. POINT FOR TRIM LOCATION		ECN1838		RM
DIMENSIONAL TOLERANCES UNLESS OTHERWISE SPECIFIED		APPROVALS	DATE	
DECIMAL DIMENSIONS .XX ± .010		APPROVED		
DECIMAL DIMENSIONS .XXX ± .005		CHECKED		
ANGULAR ± ° FRACTIONAL ± 1/64		DRAWN	R.M.	03/05/01
MATERIAL		SCALE NONE		

Jackson
CORPORATION
3447 UNION PACIFIC AVE.
LOS ANGELES, CALIF. 90023

NEXT ASSY.	FINISH	7500LV-01/02 SER. INST. GUIDE	SHEET 1 OF 1 SHEETS	
QTY. USED	HEAT TREAT		DWG. NO. 10-1090	REV. B