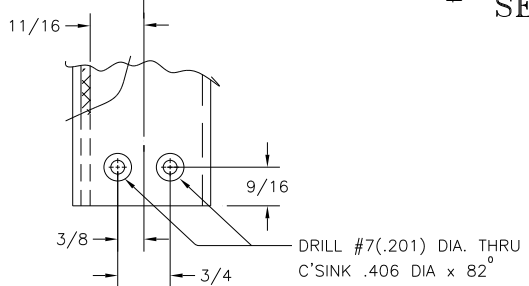
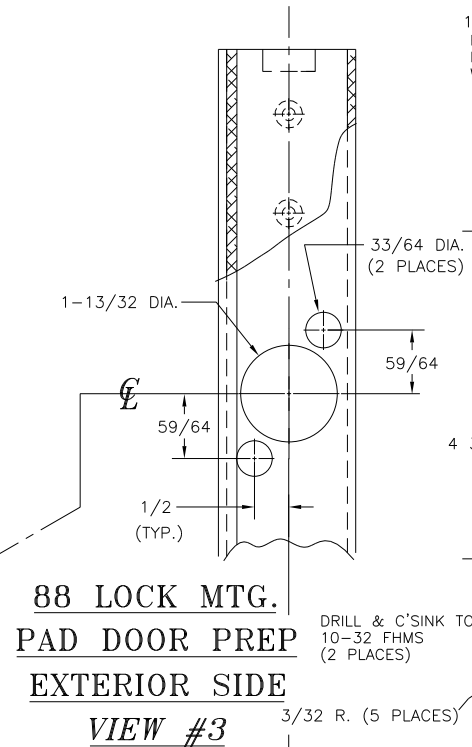
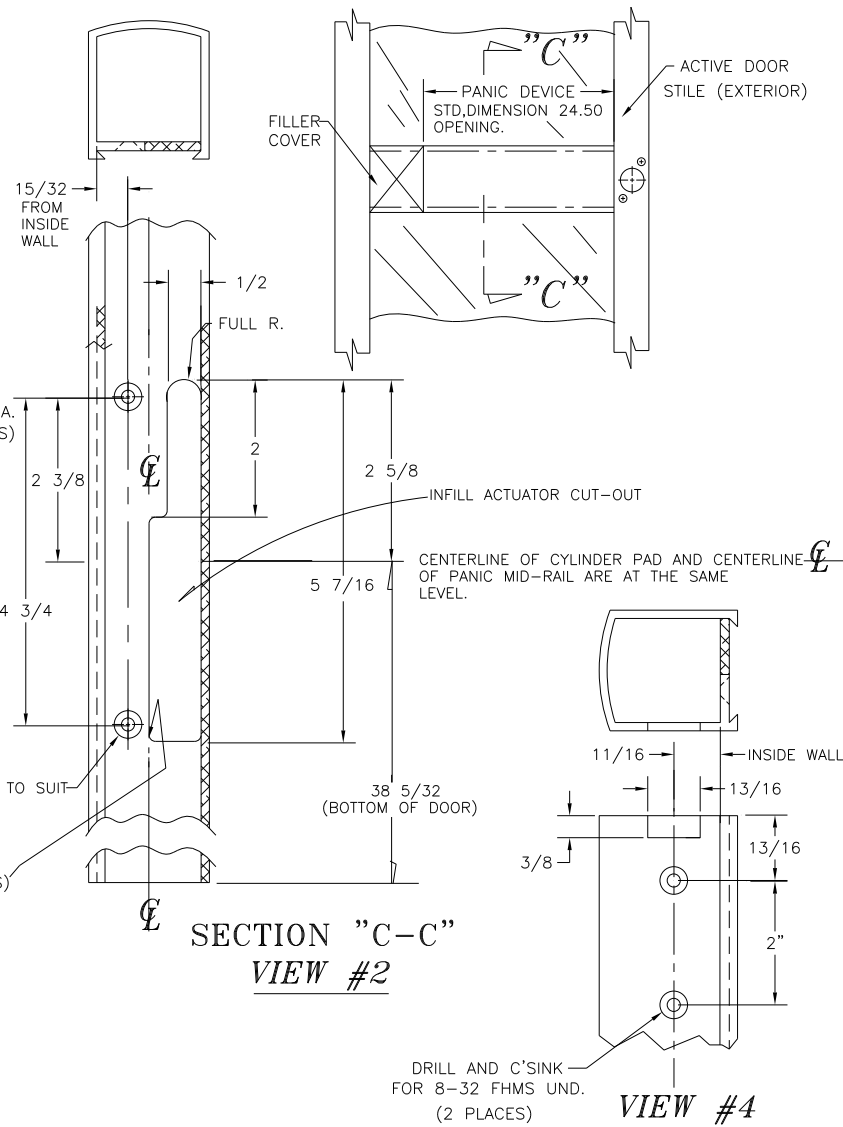


**88 LOCK MTG.  
PAD DOOR PREP  
EXTERIOR SIDE  
VIEW #3**



**DETAIL VIEW  
"G"  
VIEW #1**

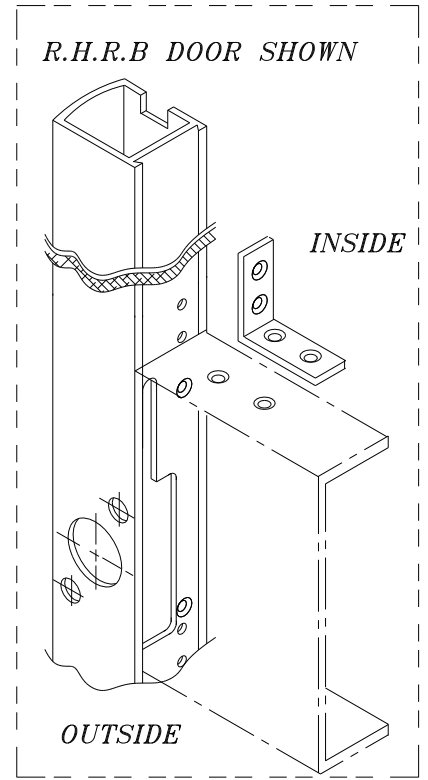
BOTTOM BOLT GUIDE  
REF. 10-860 DWG.  
& DETAIL "G"



**L.H.R.B DOOR SHOWN**

**DOOR AND FRAME PREPARATIONS**

1. PREPARE ACTIVE STILE FOR BOTTOM GUIDE. (VIEW #1) AND PULLMAN LATCH (VIEW #4)
2. PREPARE ACTIVE STILE (INFILL SIDE PER VIEW #2)
3. WHEN USING A LOCK MOUNTING PAD, PREPARE STILE PER VIEW #3
4. FOR MOUNTING & ADJUSTMENT INSTRUCTIONS OF 3185 PANIC DEVICE SEE PAGE 1 OF 3 (DWG. 10-1029-1)



A 04/10/02 REVISED 3185 W/PULLMAN TOP LATCH		ECN1570	RM
DIMENSIONAL TOLERANCES UNLESS OTHERWISE SPECIFIED		APPROVALS DATE	
DECIMAL DIMENSIONS .XX	± .010	APPROVED	
DECIMAL DIMENSIONS .XXX	± .005	CHECKED	
ANGULAR ± °	FRACTIONAL ± 1/64	DRAWN	RM 04/09/02
MATERIAL	SCALE	NONE	
FINISH	ROUTING INSTRUCTIONS		
HEAT TREAT	3185 MID-RAIL PANIC DEVICE		
FILE NO. 1029-2	NEXT ASSY. 3185-KITS	DWG. NO. 10-1029	REV. A

