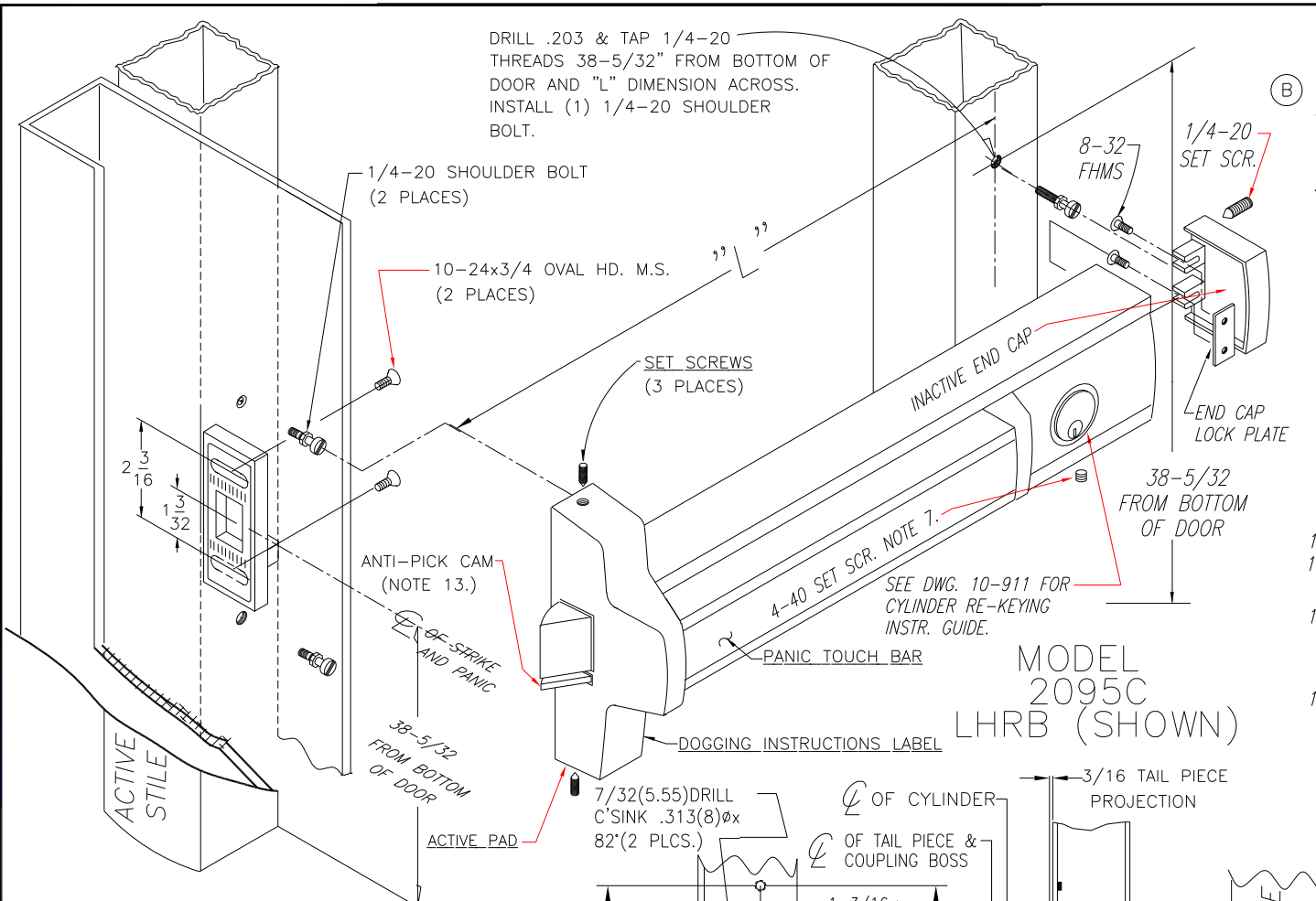
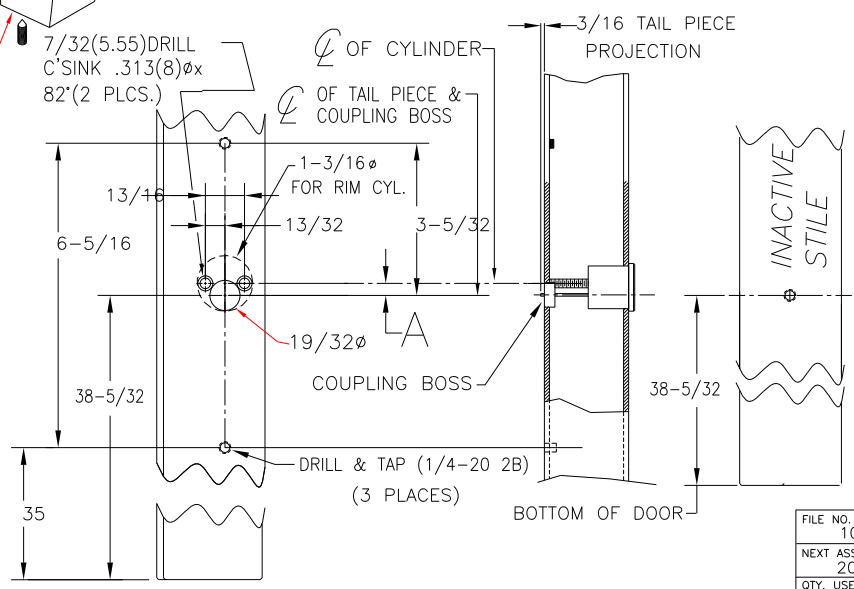
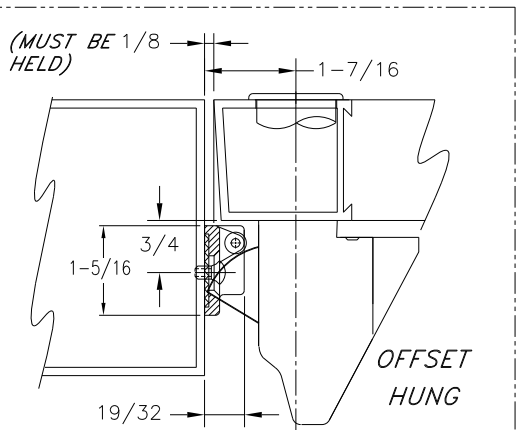


MOUNTING INSTRUCTIONS:

1. PREPARE LOCK STILE PER TEMPLATE NO. 10-916 DRILL CYLINDER MOUNTING HOLES IF REQUIRED.
2. IF OUT SIDE TRIM IS BEING USED, FOLLOW DRILL TEMPLATE 10-997
3. LOCATE CENTERLINE OF CYLINDER ON EXTERIOR OF DOOR AND DRILL IF REQUIRED.
4. TRIM TAIL PIECE TO FIT (3/16" PROJECTION FROM INSIDE FACE OF DOOR).
5. MOUNT CYLINDER AND SECURE WITH MOUNTING SCREWS (SUPPLIED BY LOCK MFRG.)
6. TO LOCATE MOUNTING HOLE ON INACTIVE STILE DRILL & TAP 1/4-20 THDS. 38-5/32 FROM BTM. OF DOOR AND "L" DIM FROM ACTIVE STILE, AND INSTALL SHOULDER BOLT. TO INSTALL ACTIVE PAD INSTALL TWO SHOULDER BOLTS ON STILE.
7. REMOVE INACTIVE END CAP AS SHOWN BY RELEASING 2 EA. 8-32 FHMS. (FOR INSTALLMENT OF LOCK CYLINDER, SEE DWG. 10-911 INSTRUCTION GUIDE.) RELEASE 4-40 SET SCREW, SLIDE COVER PLATE AND ASSEMBLE PER GUIDE 10-911. REINSTALL COVER ASSEMBLY AND THE INACTIVE END CAP INTO PANIC BASE, FINALIZE PANIC ATTACHMENT WITH 1/4-20 SET SCREW.
8. MOUNT EXIT DEVICE AND TIGHTEN (3) 1/4-20 SOC. SET SCR'S. (2) ON ACTIVE PAD (1) ON INACTIVE END OF PANIC DEVICE.
9. TO INSTALL STRIKE LOCATE 10-24 TAPS ON ACTIVE STILE (2 PLACES).
10. MOUNT AND SECURE STRIKE.
11. CHECK OPERATION TO ASSURE THAT ALL PARTS INCLUDING CYLINDER IF BEING USED ARE FUNCTIONING PROPERLY.
12. DOGGING INSTRUCTIONS
 TO DOG: :FULLY DEPRESS TOUCH BAR, PUSH DOGGING PIN, THEN RELEASE.
 TO UNDOG PUSH DOGGING PIN UP, BAR WILL RELEASE.
13. WHEN ANTI-PICK CAM IS DEPRESSED BY STRIKE (BY HAVING DOOR CLOSED) LATCH WILL NOT RETRACT.



MODEL
2095C
LHRB (SHOWN)



FUNCTIONAL CYLINDERS	A	DOOR OPENING	"L"
ILCO LOCKWOOD YALE CORBIN SCHLAGE RUSSWIN WELCH KEIL	1/4" (6.35)	36" (914)	33-13/32" (848)
		42" (1066)	39-13/32" (1001)
		48" (1219)	45-13/32" (1153)
SARGENT	3/8" (9.53)		

B 06/13/00 ADD NOTES FOR OUTSIDE TRIM ECN1384		RM	
DIMENSIONAL TOLERANCES UNLESS OTHERWISE SPECIFIED		APPROVALS	DATE
DECIMAL DIMENSIONS .XX ± .010		APPROVED	
DECIMAL DIMENSIONS .XXX ± .005		CHECKED	
ANGULAR ± .01 FRACTIONAL ± 1/64		DRAWN	RM 4/20/99
FILE NO. 10-968	MATERIAL NONE	SCALE	NONE
NEXT ASSY. 2095C-KITS	FINISH NONE	INSTALLATION GUIDE	
QTY. USED 1	HEAT TREAT	2095C RIM DEVICE x "C" STRIKE	SHEET 1 OF 1 SHEETS DWG. NO. 10-968 REV. B

