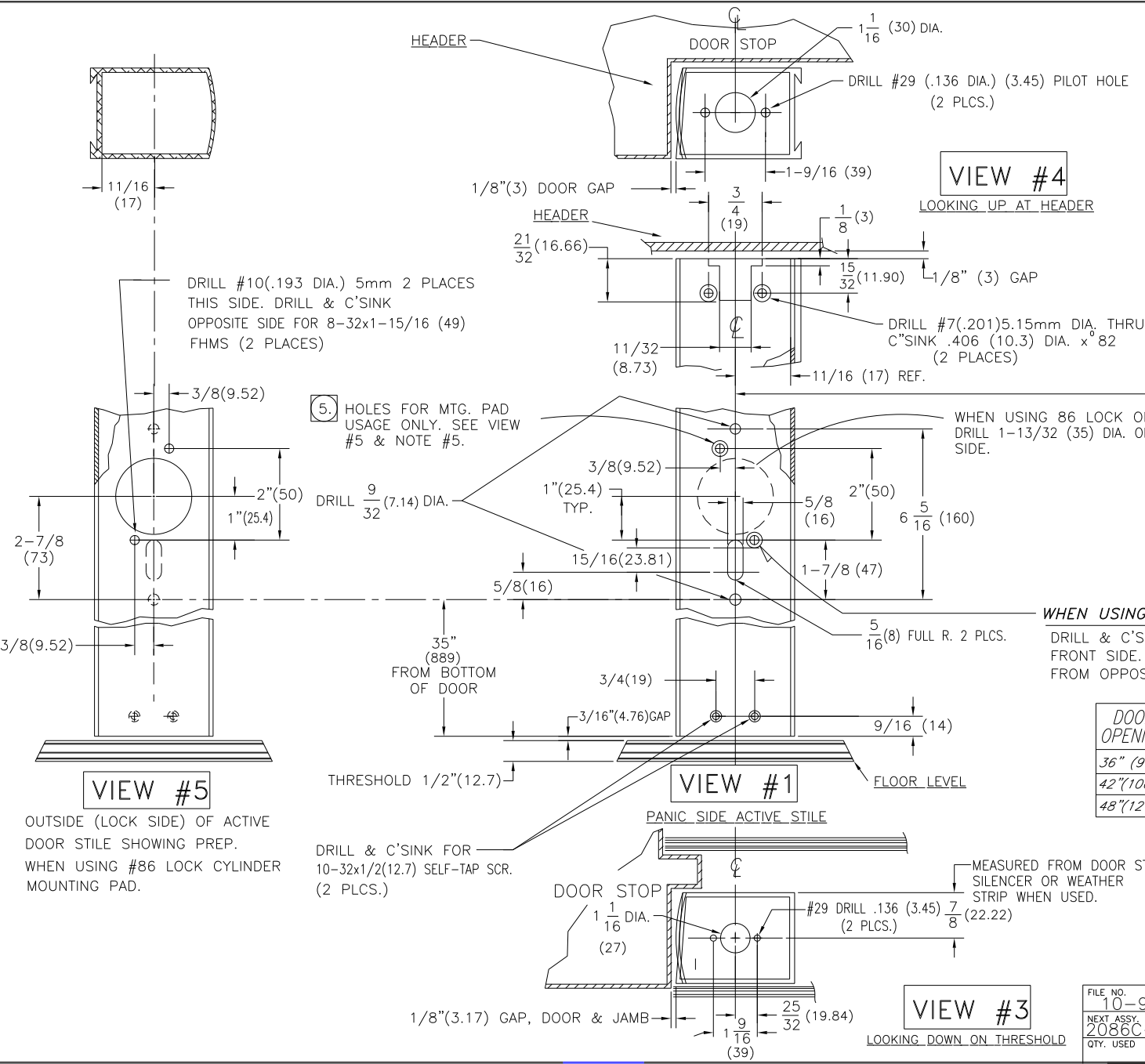


**ROUTING INSTRUCTIONS:**

1. PREPARE INSIDE FACE (PANIC SIDE) OF ACTIVE STILE PER VIEW #1 & TEMPLATE 10-474.
2. PREPARE INSIDE FACE (PANIC SIDE) OF HINGE STILE PER VIEW #2 & TABLE "A".
3. PREPARE THRESHOLD PER VIEW #3.
4. PREPARE HEADER PER VIEW #4.
5. IF LOCK CYLINDER IS BEING USED SEE DWG. 10-476 TEMPLATE
6. FOR MOUNTING AND ADJUSTMENTS OF THE 2086C SEE OPPOSITE SIDE THIS PAGE. (DWG. 10-962 SHEET 1 OF 2)



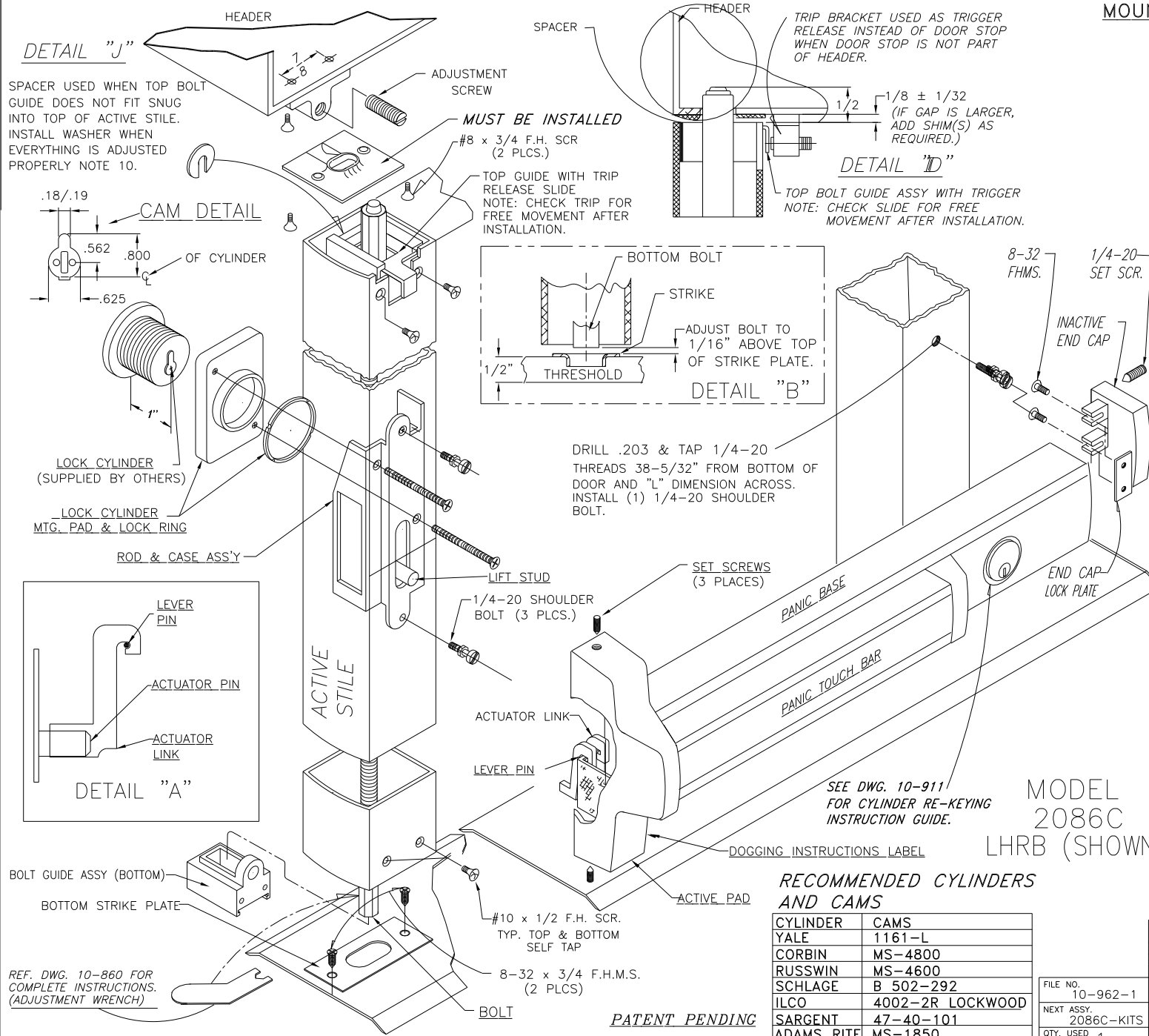
DOOR OPENING	" "	" "
36" (914)	33-13/32" (847)	
42" (1066)	39-13/32" (1001)	
48" (1219)	45-13/32" (1153)	

DIMENSIONAL TOLERANCES UNLESS OTHERWISE SPECIFIED		APPROVALS	DATE
DECIMAL DIMENSIONS .XX	± .010	CHECKED	
DECIMAL DIMENSIONS .XXX	± .005	DRAWN	RM 01/28/00
ANGULAR ± °	FRACTIONAL ± 1/64	SCALE	NONE

FILE NO.	10-962-2
NEXT ASSY.	2086C-KITS
QTY. USED	

FINISH	HEAT TREAT	ROUTING INSTRUCTIONS	2086C CVR PANIC DEVICE	SHEET 2 OF 2 SHEETS	DWG. NO.	REV.
				10-962		A





**MOUNTING INSTRUCTIONS:**

1. PREPARE ACTIVE STILE, INSIDE FACE, PER SHEET 2 OF 2, IF LOCK IS BEING USED, PREPARE PER TEMPLATE 10-476
2. INSTALL ROD & CASE ASS'Y INTO ACTIVE STILE WITH 2 EA. 1/4-20 SHOULDER BOLTS.
3. INSTALL BOTTOM STRIKE PLATE ON THRESHOLD WITH 2 EA. #8 x 3/4" SELF-TAPPING SCREWS.
4. INSTALL 1 EA. 1/4-20 SHOULDER BOLT, INACTIVE STILE. (IF LOCK CYL. IS NOT BEING USED. SKIP NOTE #5.)
5. INSERT LOCK CYLINDER INTO LOCK MTG. PAD AND SECURE WITH LOCK RING. POSITION LOCK CYL. MTG. PAD ON OUTSIDE FACE (LOCKSIDE) OF ACTIVE STILE & SECURE WITH 2 EA. 8-32 x 1" 15/16 F.H.M.S.
6. UNDOG PANIC DEVICE PER INSTRUCTIONS ON ACTIVE PAD.
7. PLACE ACTUATOR LINK ONTO LEVER PINS WITHIN ACTIVE PAD, BEING SURE THERE IS A POSITIVE ENGAGEMENT OVER THE SIDES OF LEVER.
8. REMOVE INACTIVE END CAP AS SHOWN BY RELEASING 2 EA. 8-32 F.H.M.S. (FOR INSTALLMENT OF LOCK CYLINDER, SEE DWG. 10-911 INSTRUCTION GUIDE.) BACK-OFF 4-40 SET SCREW, SLIDE COVER PLATE AND ASSEMBLE PER 10-911.  
REINSTALL COVER ASS'Y AND THE INACTIVE END CAP INTO PANIC BASE, FINALIZE PANIC ATTACHMENT WITH 1/4-20 SET SCREW.
9. INSTALL TOP AND BOTTOM BOLTS SO THAT 1/2" OF BOLT EXTENDS FROM VERTICAL STILE. (REF. DETAILS "D&J") (NOTE: IF A GAP IS PRESENT BETWEEN "TOP BOLT GUIDE" ASSY AND VERTICAL STILE WALL, THE SPACER MUST BE INSTALLED AS SHOWN).
10. DEPRESS PUSH BAR, TOP BOLT SHOULD LOCK IN THE RETRACTED (UN-LOCKED) POSITION. IF LOCKING DOES NOT OCCUR, RE-ADJUST ONE HALF TURN CLOCKWISE. INSTALL TOP BOLT GUIDE AND REPEAT STEP 9.

**TOP BOLT ADJUSTMENT:**

1. RELEASE TOP AND BOTTOM BOLTS BY DEPRESSING TRIGGER ON TOP BOLT GUIDE ASSY.
2. POSITION TOP BOLT 1/2" FROM TOP EDGE OF ACTIVE STILE. SECURE WITH CAP SCREW (SEE DWG. 10-860).

**BOTTOM BOLT ADJUSTMENT:**

1. FULLY DEPRESS PUSH BAR, RETRACTING TOP AND BOTTOM RODS. ADJUST BOTTOM BOLT PER *DETAIL "B"*

**MANUAL CHECK:**

1. WITH TOP AND BOTTOM BOLT FULLY RETRACTED, DEPRESS TRIGGER RELEASE, RODS WILL THEN EXTEND TO THE LOCKED POSITION.
2. INSTALL TRIP BRACKET (REF. *DETAIL "J"*) AND ADJUST SET SCREW SO THAT WHEN DOOR CLOSES, TOP BOLT GUIDE TRIGGER CONTACTS SET SCREW AND ALLOWS BOLTS TO EXTEND. INSTALL TOP AND BOTTOM STRIKES.

**DOGGING INSTRUCTIONS:**

**TO DOG:** DEPRESS TOUCH BAR, TURN LOCK CYLINDER KEY CLOCKWISE OR PUSH DOGGING PIN UP RELEASE PIN AND TOUCH BAR.

**TO UNDOG:** DEPRESS TOUCH BAR, TURN KEY COUNTERCLOCKWISE OR PUSH DOGGING PIN UP AND RELEASE.

**RECOMMENDED CYLINDERS AND CAMS**

CYLINDER	CAMS
YALE	1161-L
CORBIN	MS-4800
RUSSWIN	MS-4600
SCHLAGE	B 502-292
ILCO	4002-2R LOCKWOOD
SARGENT	47-40-101
ADAMS RITE	MS-1850

FILE NO.	10-962-1
NEXT ASSY.	2086C-KITS
QTY. USED	1

DIMENSIONAL TOLERANCES UNLESS OTHERWISE SPECIFIED		APPROVALS		DATE
DECIMAL DIMENSIONS .XX	± .010	APPROVED		
DECIMAL DIMENSIONS .XXX	± .005	CHECKED		
ANGULAR ± °	FRACTIONAL ± 1/64	DRAWN	RM	01/28/00
MATERIAL	NONE	SCALE NONE		
FINISH	NONE	HEAT TREAT		

INSTALLATION GUIDE  
2086C CVR PANIC DEVICE

**JACKSON CORPORATION**  
3447 UNION PACIFIC AVE.  
LOS ANGELES, CALIF. 90023

SHEET 1 OF 2 SHEETS  
DWG. NO. 10-962  
REV. A

REF. DWG. 10-860 FOR COMPLETE INSTRUCTIONS. (ADJUSTMENT WRENCH)

PATENT PENDING

MODEL 2086C LHRB (SHOWN)

SEE DWG. 10-911 FOR CYLINDER RE-KEYING INSTRUCTION GUIDE.

DOGGING INSTRUCTIONS LABEL

ACTIVE PAD

#10 x 1/2 F.H. SCR. TYP. TOP & BOTTOM SELF TAP  
8-32 x 3/4 F.H.M.S. (2 PLCS)

