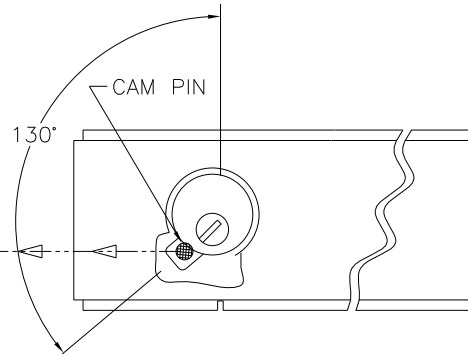
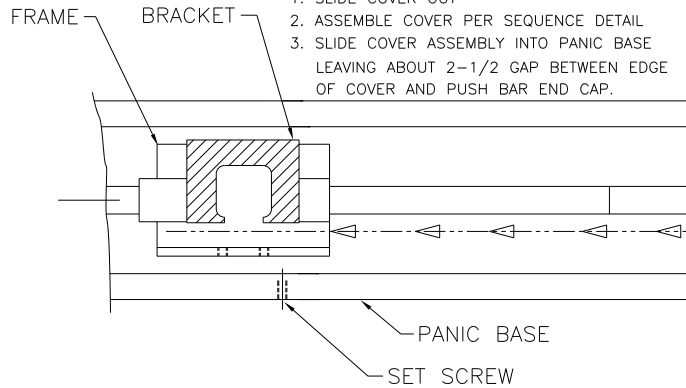
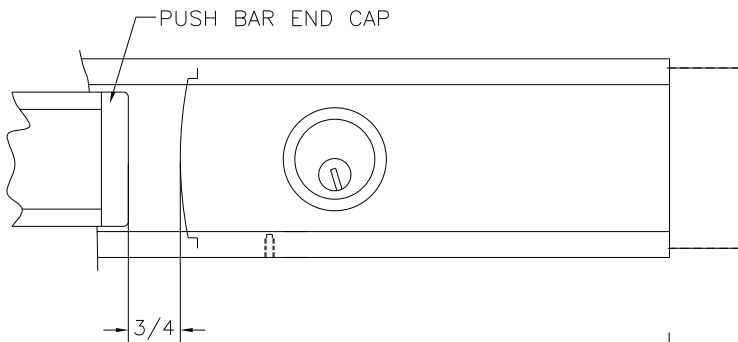


COVER ASS'Y INSTALLATION

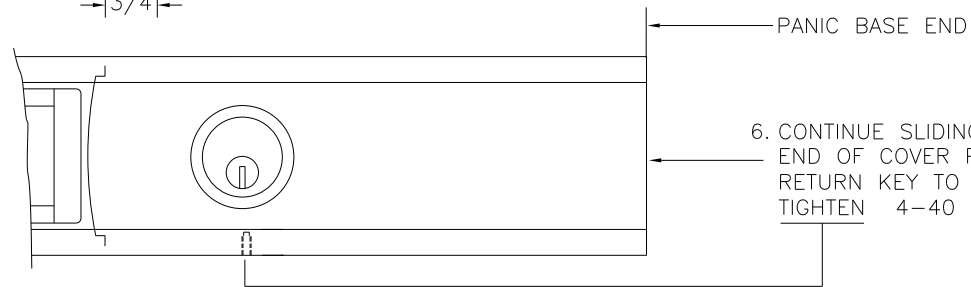
1. SLIDE COVER OUT
2. ASSEMBLE COVER PER SEQUENCE DETAIL
3. SLIDE COVER ASSEMBLY INTO PANIC BASE LEAVING ABOUT 2-1/2" GAP BETWEEN EDGE OF COVER AND PUSH BAR END CAP.



4. INSERT KEY INTO CYLINDER & TURN COUNTERCLOCKWISE APPROX. 130° UNTIL PIN LOCATION ALLOWS COVER PLATE INSERTION BETWEEN FRAME AND BRACKET.



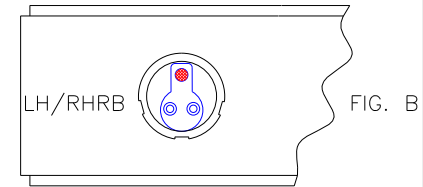
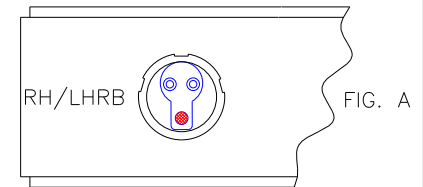
5. SLIDE COVER PLATE ASS'Y TO APPROX. 3/4" FROM PUSH BAR END CAP, TURN KEY CLOCKWISE UNTIL IT STOPS.



6. CONTINUE SLIDING COVER PLATE ALONG PANIC BASE UNTIL END OF COVER PLATE BECOMES FLUSH WITH PANIC BASE END, RETURN KEY TO VERTICAL POSITION AND REMOVE. TIGHTEN 4-40 SET SCREW AGAINST COVER PLATE.

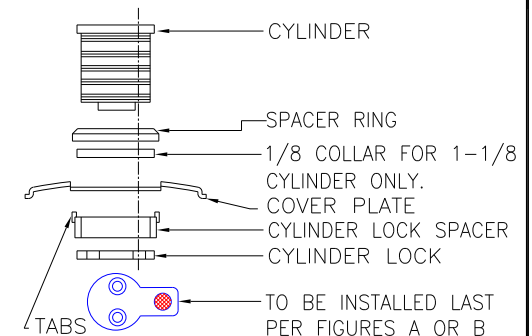
TO REMOVE COVER (PANIC MUST BE IN THE UN-DOGGED POS.)

1. UN-SCREW OR BACK-OFF, 4-40 SET SCREW.
2. INSERT KEY, ROTATE CCW ABOUT 10° THEN SLIDE COVER OUT APPROX. 3/4."
3. TURN KEY COUNTERCLOCKWISE UNTIL IT STOPS AND CONTINUE SLIDING COVER ALONG PANIC BASE.



COVER/CYLINDER ASSEMBLY SEQUENCE DETAIL.

1. REMOVE VENDOR SUPPLIED CYLINDER CAM.
2. INSTALL PROVIDED JACKSON CAM ASS'Y, MAINTAIN ORIGINAL DIRECTION AND LOCATION.
3. SLIDE SPACER RING ONTO CYLINDER BODY.
4. SLIDE CYLINDER AND SPACER ONTO COVER PLATE PER FIG."A" FOR RH/LHRB OR FIG."B" FOR LH/RHRB
5. SLIDE CYLINDER LOCK SPACER ASSURING THAT TABS ARE POSITIONED INTO NOTCHES ON COVER PLATE.
6. COMPLETE ASSEMBLY BY FIRMLY ATTACHING THREADED CYL. LOCK.



DIMENSIONAL TOLERANCES UNLESS OTHERWISE SPECIFIED		APPROVALS	DATE
DECIMAL DIMENSIONS .XX ± .010	CHECKED		
DECIMAL DIMENSIONS .XXX ± .005	DRAWN	R.M.	5/27/98
ANGULAR ± ° FRACTIONAL ± 1/64	MATERIAL	SCALE	NONE
FILE NO.	FINISH	CYLINDER DOGGING RE-KEY INSTRUCTIONS	
NEXT ASSY.	HEAT TREAT	2085C/2086C/2095C	
QTY. USED 1		DWG. NO.	SHEET 1 OF 1 SHEETS
		10-911	REV. A



MOUNTING INSTRUCTIONS:

1. PREPARE DOOR, HEADER AND THRESHOLD PER DWG. 10-950-2 OPPOSITE SIDE OF THIS PG. AND TEMPLATE 10-992
2. INSTALL ROD & CASE ASS'Y WITH TOP LATCH CASE INTO ACTIVE STILE. SECURE ROD & CASE ASS'Y WITH 2 EA. 1/4-20 SHOULDER BOLTS. NOTE: DO NOT SECURE TOP LATCH CASE TO STILE AT THIS TIME.
3. INSTALL BOTTOM STRIKE PLATE ON THRESHOLD WITH 2 EA. #8x3/4(19) SELF TAPPING SCREWS.
4. INSTALL 1 EA. 1/4-20 SHOULDER BOLT ON INACTIVE STILE. (IF LOCK CYL. IS NOT BEING USED SKIP NOTE #5.)
5. INSERT LOCK CYLINDER INTO LOCK MTG. PAD AND SECURE WITH LOCK RING. POSITION LOCK CYLINDER MTG. PAD ON OUTSIDE (LOCKSIDE) OF ACTIVE STILE & SECURE WITH 2 EA. 8-32x1-15/16(49) FHMS. IF TRIM IS BEING USED FOLLOW INSTRUCTION GUIDE 10-990 WITH TRIM.
6. UN-DOG PANIC DEVICE PER INSTRUCTIONS ON ACTIVE PAD
7. PLACE ACTUATOR LINK ONTO LEVER PINS (REF. DETAIL "A").
8. BEING SURE THERE IS A POSITIVE ENGAGEMENT OVER EA. END OF GROOV-PIN.
INSTALL PANIC DEVICE ON STILES ASSURING ACTUATOR LINK ENGAGES ACTUATOR PIN AS SHOWN PER DETAIL "A". TIGHTEN (2) SET SCREWS ON ACTIVE PAD (1) EA. ON INACTIVE PAD.

ADJUSTMENTS:

1. **TOP LATCH:**
PANIC MUST BE IN THE DOGGED POS. TO COMPLETE THE FOLLOWING ADJUSTMENTS.
2. POSITION TOP LATCH INTO THE OPEN POS. PER DETAIL "B" & ROTATE TOP LATCH CASE UNTIL MTG. HOLES ON LATCH CASE ARE OFF-CENTER TO C'SUNK HOLES ON ACTIVE STILE AS SHOWN PER DETAIL "D". SECURE CASE WITH (2) EA. 10-32x1/4(6) FHMS.

BOTTOM BOLT ADJUSTMENT:

1. WITH PANIC UN-DOGGED FULL DEPRESS TOUCH BAR, BOTTOM ROD WILL RETRACT & LATCH WILL ROTATE TO THE UNLOCKED POS. PER DETAIL "B". WITH LATCH IN THIS POS. ADJUST BOTTOM BOLT PER DETAIL "Z".
2. INSTALL BOLT GUIDE & SECURE WITH (2) EA. #10 SELF TAPPING SCREWS.

MANUAL CHECK:

UN-DOG PANIC DEVICE, MANUALLY POSITION TOP LATCH TO THE LOCKED OR CAPTURED POS. PER DETAIL "B-1"(BOTTOM BOLT WILL THEN EXTEND.)

OPERATIONS CHECK:

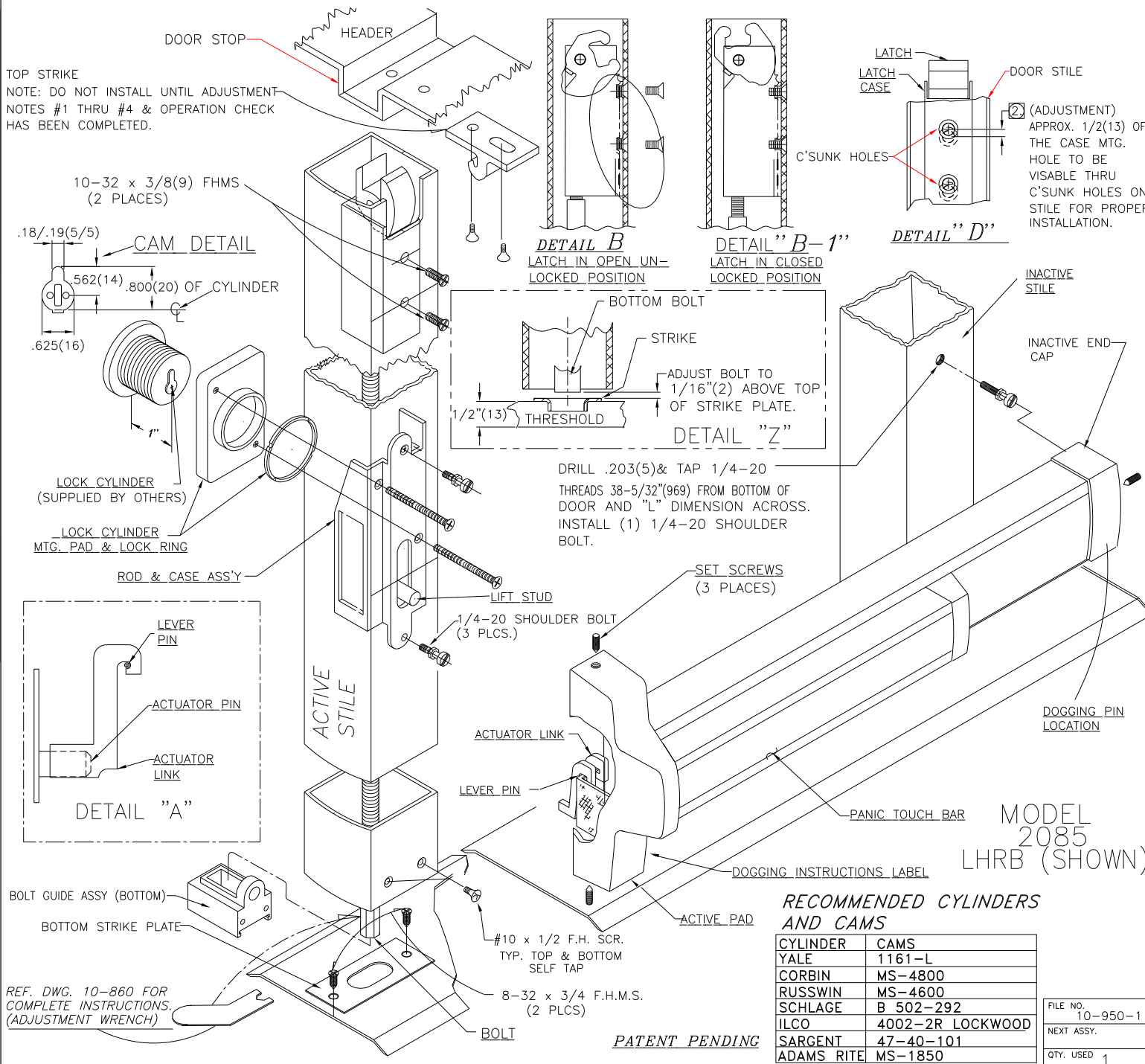
DEPRESS PANIC TOUCH BAR FULLY, BOTTOM BOLT SHOULD RETRACT TO BTM. EDGE OF DOOR STILE, TOP LATCH WILL WIND UP IN THE OPEN POSITION (DETAIL "B").

**** IMPORTANT:** IF TOP LATCH POSITIONS ITSELF TO THE OPEN POS. WITH TOUCH BAR ONLY BEING PARTIALLY DEPRESSED, OR IF TOP LATCH DOES NOT GO TO THE OPEN POS. WHEN TOUCH BAR IS FULLY DEPRESSED, REDOG PANIC & REPEAT STEPS 1 THRU 3 IF TOP LATCH IS RE-ADJUSTED BTM. BOLT MUST BE RE-ADJUSTED PER DETAIL "Z" AS WELL.

2. WHEN SYTEM WORKS PROPERLY, INSTALL TOP STRIKE WITH OVAL C'SUNK HOLES TOWARDS DOOR STOP.

DOGGING INSTRUCTIONS:

1. TO DOG: DEPRESS TOUCH BAR, PUSH DOGGING UP UNTIL IT STOPS. TO UN-DOG: PUSH DOGGING PIN UP, THE RELEASE.



RECOMMENDED CYLINDERS AND CAMS

CYLINDER	CAMS
YALE	1161-L
CORBIN	MS-4800
RUSSWIN	MS-4600
SCHLAGE	B 502-292
ILCO	4002-2R LOCKWOOD
SARGENT	47-40-101
ADAMS RITE	MS-1850

FILE NO.	10-950-1	MATERIAL	NONE	SCALE	NONE
NEXT ASSY.		FINISH	NONE	INSTALLATION GUIDE 2085 PANIC DEVICE & 1900 TOP LATCH	
QTY. USED	1	HEAT TREAT			

C 06/06/00 ADD NOTE FOR OUTSIDE TRIM ECN1384 RM
 B 12/14/99 REF. SHT 2 OF 2 ECN1327 RM

DIMENSIONAL TOLERANCES UNLESS OTHERWISE SPECIFIED	APPROVALS	DATE
DECIMAL DIMENSIONS .XX ± .010	CHECKED	
DECIMAL DIMENSIONS .XXX ± .005	DRAWN	RM 5/10/97
ANGULAR ± ° FRACTIONAL ± 1/64		

jackson CORPORATION
 3447 UNION PACIFIC AVE.
 LOS ANGELES, CALIF. 90023

SHEET 1 OF 2 SHEETS
 DWG. NO. 10-950-1
 REV. C

ROUTING INSTRUCTIONS:

1. PREPARE INSIDE FACE (PANIC SIDE) OF ACTIVE STILE PER VIEW #1 & TEMPLATE 10-474.
2. PREPARE INSIDE FACE (PANIC SIDE) OF HINGE STILE PER VIEW #2 & TABLE "A".
3. PREPARE THRESHOLD PER VIEW #3.
4. PREPARE HEADER PER VIEW #4.
5. IF LOCK CYLINDER IS BEING USED SEE DWG. 10-476 TEMPLATE (WITH MTG. PAD).
6. IF OUTSIDE TRIM IS BEING USED, SEE DWG. 10-987 TEMPLATE (WITH TRIM.)
7. FOR MOUNTING AND ADJUSTMENTS OF THE 2086 SEE OPPOSITE SIDE THIS PAGE. (DWG. 10-952 SHEET 1 OF 2)

△ C

△ B

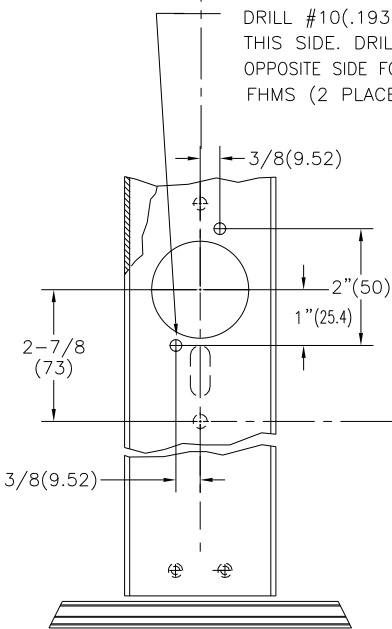
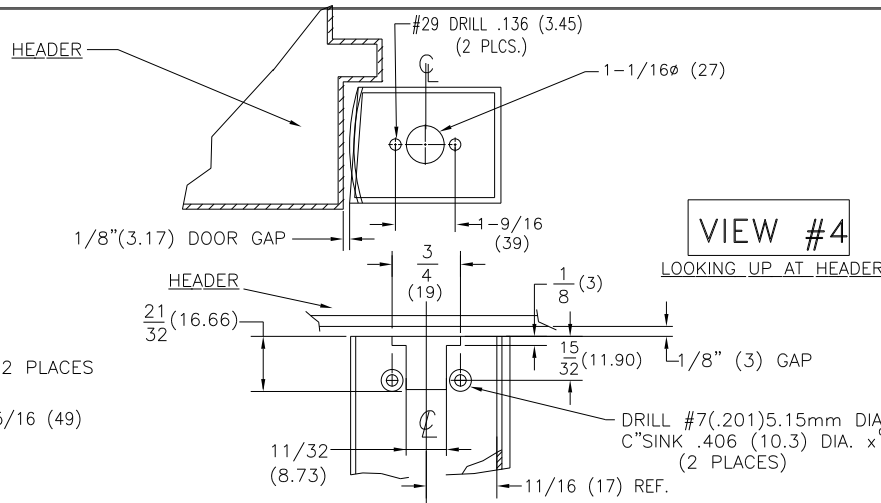
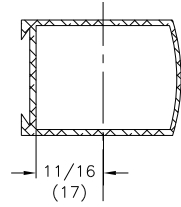
DOOR OPENING	" "	" "
36" (914)	33-13/32" (847)	
42" (1066)	39-13/32" (1001)	
48" (1219)	45-13/32" (1153)	

C 06/10/00 ADD NOTES FOR OUTSIDE TRIM ECN1384 RM
 B 12/16/99 REDUCE "L" DIM BY .332 ECN1326 RM

DIMENSIONAL TOLERANCES UNLESS OTHERWISE SPECIFIED		APPROVALS		DATE
DECIMAL DIMENSIONS .XX ± .010	CHECKED			
DECIMAL DIMENSIONS .XXX ± .005				
ANGULAR ± ° FRACTIONAL ± 1/64				
MATERIAL	SCALE	RM	7/17/99	



FINISH	ROUTING INSTRUCTIONS	SHEET 2 OF 2 SHEETS
HEAT TREAT	2086 CVR PANIC DEVICE	DWG. NO. 10-952
		REV. C



5. HOLES FOR MTG. PAD USAGE ONLY. SEE VIEW #5 & NOTE #5.

DRILL 9/32 (7.14) DIA.

35" (889) FROM BOTTOM OF DOOR

DRILL & C'SINK FOR 10-32x1/2(12.7) SELF-TAP SCR. (2 PLCS.)

WHEN USING 86 LOCK ONLY DRILL 1-13/32 (35) DIA. OPPOSITE SIDE.

WHEN USING (86 LOCK) ONLY DRILL & C'SINK FOR #8 FHMS FRONT SIDE. DRILL CLEARANCE FROM OPPOSITE SIDE 2 PLACES

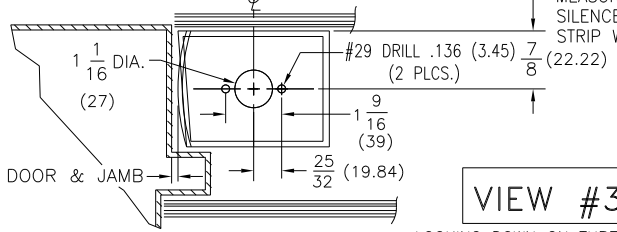
DRILL & TAP 1/4-20 THREADS

38-5/32 (969) FROM BTM OF DOOR

THRESHOLD 1/2" (12.7)

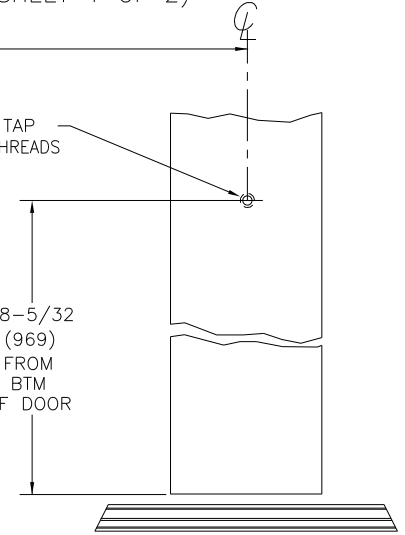
VIEW #1 PANIC SIDE ACTIVE STILE

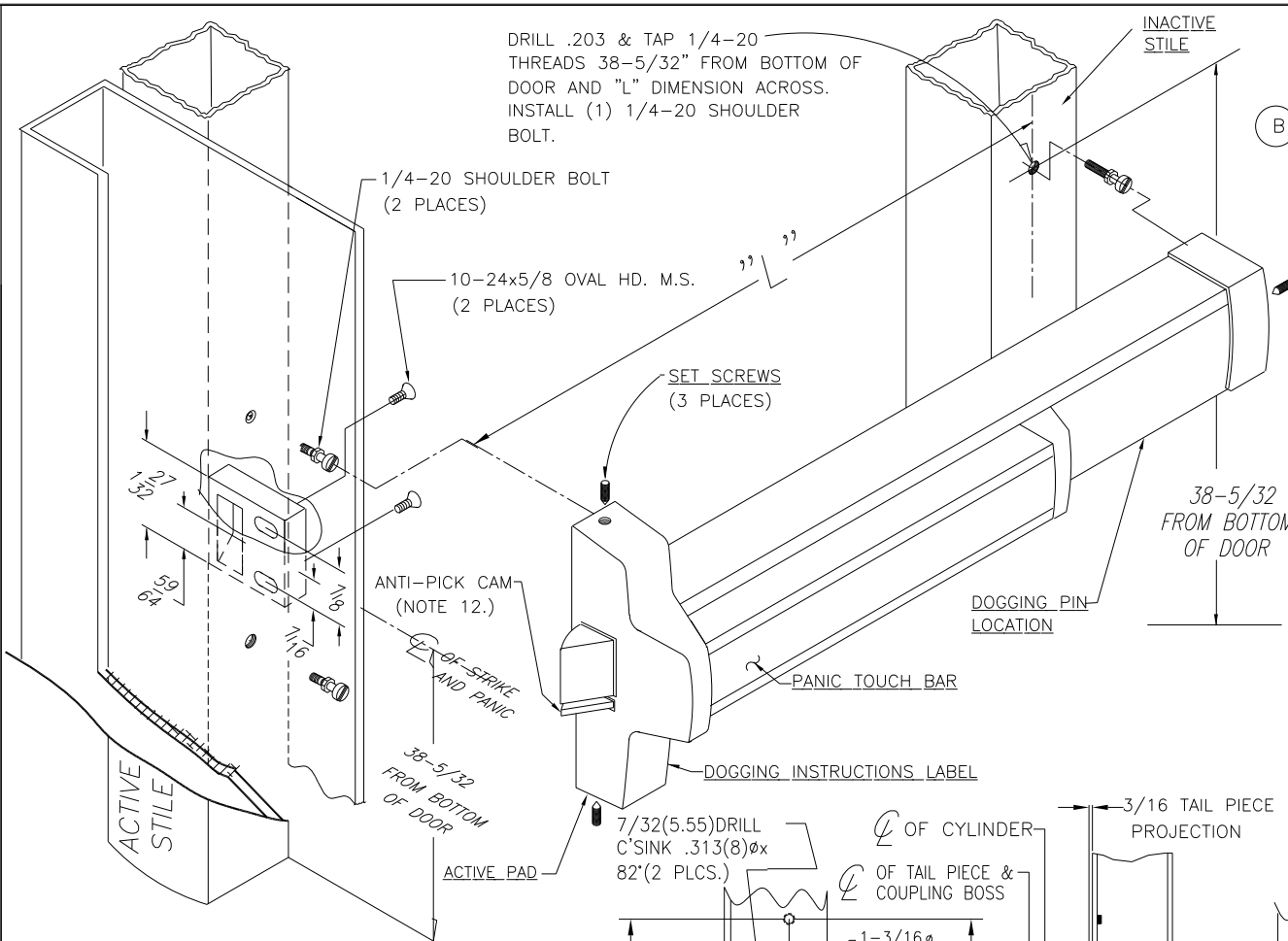
FLOOR LEVEL



VIEW #3 LOOKING DOWN ON THRESHOLD

VIEW #2 HINGE SIDE VERTICAL STILE PANIC SIDE





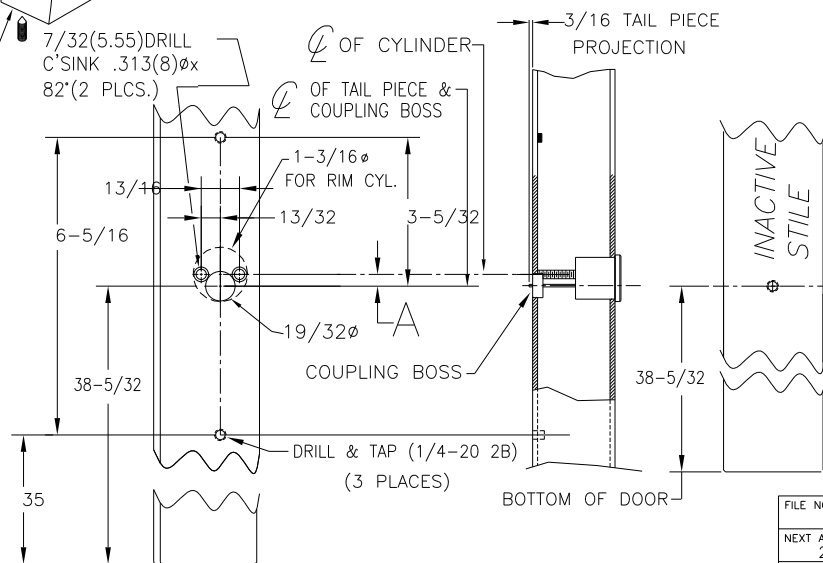
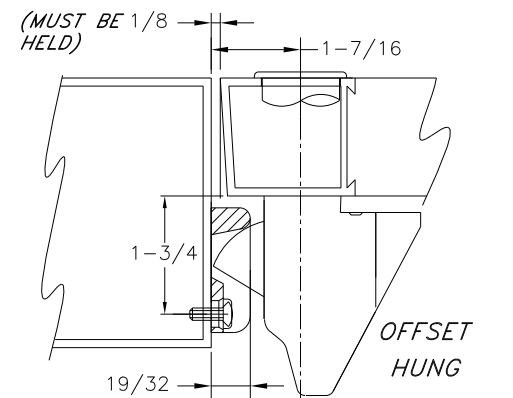
DRILL .203 & TAP 1/4-20
 THREADS 38-5/32" FROM BOTTOM OF
 DOOR AND "L" DIMENSION ACROSS.
 INSTALL (1) 1/4-20 SHOULDER
 BOLT.

MOUNTING INSTRUCTIONS:

1. PREPARE LOCK STILE PER TEMPLATE NO. 10-916 DRILL CYLINDER MOUNTING HOLES IF REQUIRED.
2. IF OUTSIDE TRIM IS BEING USED, FOLLOW DRILL TEMPLATE 10-997.
3. LOCATE CENTERLINE OF CYLINDER ON EXTERIOR OF DOOR AND DRILL IF REQUIRED.
4. TRIM TAIL PIECE TO FIT (3/16" PROJECTION FROM INSIDE FACE OF DOOR.)
5. MOUNT CYLINDER AND SECURE WITH MOUNTING SCREWS (SUPPLIED BY LOCK MFRG.)
6. TO LOCATE MOUNTING HOLE ON INACTIVE STILE DRILL & TAP 1/4-20 THDS. 38-5/32 FROM BTM. OF DOOR AND "L" DIM FROM ACTIVE STILE, AND INSTALL SHOULDER BOLT. TO INSTALL ACTIVE PAD INSTALL TWO SHOULDER BOLTS ON STILE.
7. MOUNT EXIT DEVICE AND TIGHTEN (3) 1/4-20 SOC. SET SCR'S. (2) ON ACTIVE PAD (1) ON INACTIVE END OF PANIC DEVICE.
8. TO INSTALL STRIKE LOCATE 10-24 TAPS ON ACTIVE STILE (2 PLACES).
9. MOUNT AND SECURE STRIKE.
10. CHECK OPERATION TO ASSURE THAT ALL PARTS INCLUDING CYLINDER IF BEING USED ARE FUNCTIONING PROPERLY.
11. DOGGING INSTRUCTIONS

TO DOG: :FULLY DEPRESS TOUCH BAR, PUSH DOGGING PIN, THEN RELEASE.
 TO UNDOG PUSH DOGGING PIN UP, BAR WILL RELEASE.
 12. WHEN ANTI-PICK CAM IS DEPRESSED BY STRIKE (BY HAVING DOOR CLOSED) LATCH WILL NOT RETRACT.


MODEL
 2095 "S" STRIKE
 LHRB (SHOWN)



FUNCTIONAL CYLINDERS	A	DOOR OPENING	"L"
ILCO LOCKWOOD YALE CORBIN SCHLAGE RUSSWIN WELCH KEIL	1/4" (6.35)	36" (914)	33-13/32" (848)
		42" (1066)	39-13/32" (1001)
		48" (1219)	45-13/32" (1153)
SARGENT	3/8" (9.53)		

C 11/18/00 ADD NOTES FOR OUTSIDE TRIM ECN1439 RM
 B 12/13/99 REDUCE "L" DIM BY 11/32 ECN1326 RM

DIMENSIONAL TOLERANCES UNLESS OTHERWISE SPECIFIED	APPROVALS	DATE
DECIMAL DIMENSIONS .XX ± .010	APPROVED	
DECIMAL DIMENSIONS .XXX ± .005	CHECKED	
ANGULAR ± ° FRACTIONAL ± 1/64	DRAWN	8/17/99

FILE NO. 10-953	MATERIAL NONE	SCALE NONE	 3447 UNION PACIFIC AVE. LOS ANGELES, CALIF. 90023
NEXT ASSY. 2095-KITS	FINISH NONE	INSTALLATION GUIDE	
QTY. USED 1	HEAT TREAT	2095 RIM DEVICE x "S" STRIKE	