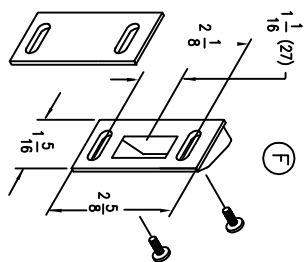
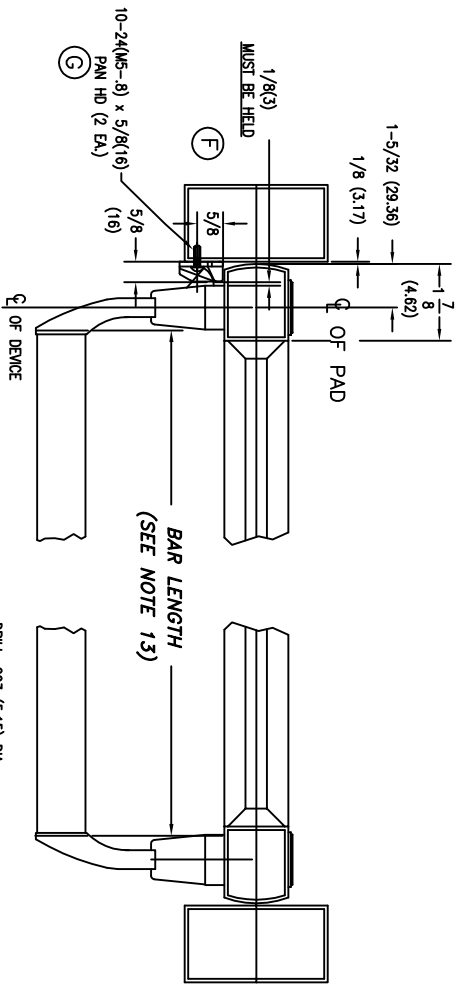


MOUNTING INSTRUCTIONS

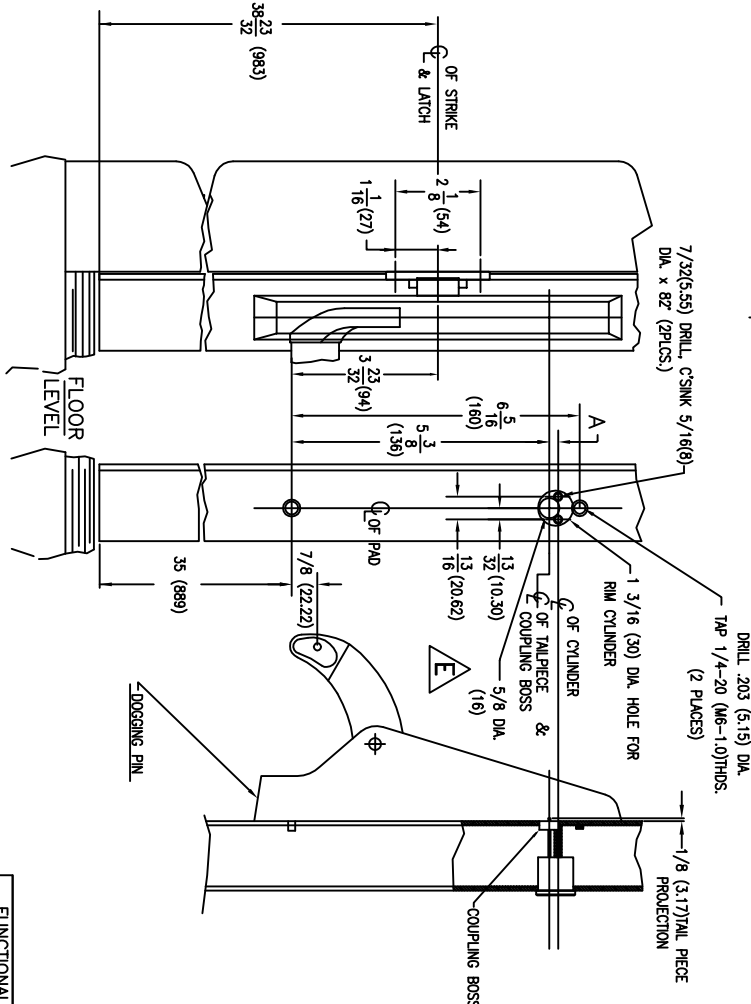
"C" STRIKE



1. DETERMINE HAND OF DOOR AND ESTABLISH CENTER LINE OF PADS ON STILES. PER TEMPLATES:
2. PREPARE STILES. PER TEMPLATES:
10-484 TEMPLATE FOR ACTIVE STILE.
10-475 TEMPLATE FOR INACTIVE STILE.
3. DRILL CYLINDER MOUNTING HOLES ONLY IF REQUIRED
4. LOCATE CENTER LINE OF CYLINDER ON EXTERIOR SIDE OF ACTIVE STILE AND DRILL IF REQUIRED.
5. TRIM TAIL PIECE TO FIT AS SHOWN.
6. MOUNT CYLINDER IN PLACE AND SECURE WITH MOUNTING SCREWS. (SCREWS MUST BE FLUSH WITH DOOR.)
7. DETERMINE FUNCTION DESIRED:
A.) REGULAR FUNCTION KEY REMOVABLE IN EITHER LOCKED OR UNLOCKED POSITION. FULLY RELEASE LATCH THEN SET INDEX MARK ON COUPLING BOSS STRAIGHT UP.
B.) NIGHT LATCH FUNCTION: KEY REMOVABLE IN LOCKED POSITION ONLY. PERFORM STEP 'A.' THEN ROTATE COUPLING BOSS 90° TOWARDS HINGE SIDE.
8. DRILL .203 (5.16) DIA. AND TAP 1/4-20(M6-1.0) THD (4 PLCS.) ON ACTIVE AND INACTIVE STILES.
9. & INSTALL FOUR (4) 1/4-20 SHOULDER STUDS. MOUNT ACTIVE PAD TO STILE WITH THREE 1/4-20(M6-1.0) x 1/2(12.7) SOC. SET SCREWS.
10. LOCATE AND DRILL MOUNTING HOLES FOR ADJUSTABLE STRIKE. (CENTER ON LATCH)
11. MOUNT AND SECURE STRIKE AS SHOWN.
12. CHECK OPERATION TO ASSURE THAT ALL PARTS AND CYLINDER ARE FUNCTIONING PROPERLY. ADJUST AS REQUIRED.
13. MOUNT INACTIVE PAD TO STILE WITH THREE (3) 1/4-20(M6-1.0) x 1/2 (12.7) SOC. SET SCREWS.
14. CUT LENGTH OF PANIC BAR BY MEASURING FROM INSIDE TO INSIDE EDGE OF MOUNTING PADS. 1/32 (.79) FIT TO SIZE.
15. LOOSEN INACTIVE PAD. INSTALL AND SECURE PANIC BAR WITH TWO 1/4-20(M6-1.0) x1(25.4) OVAL HD.M.S. (PHIL.) RETIGHTEN PAD SET SCREWS.

DOGGING INSTRUCTIONS:

TO DOG- DEPRESS CROSS BAR TURN KEY TOWARD LOCK SIDE OR PUSH DOGGING TO UNDOG- DEPRESS CROSS BAR TURN KEY TOWARD LOCK SIDE OR ROTATE DOGGING PIN UNTIL IT RELEASES.



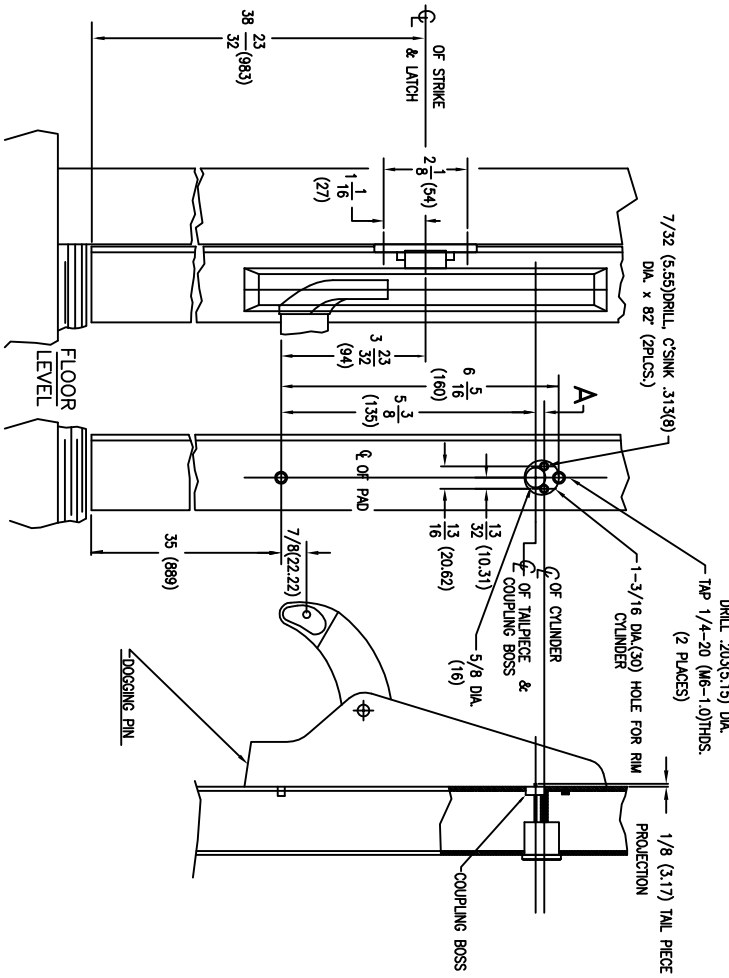
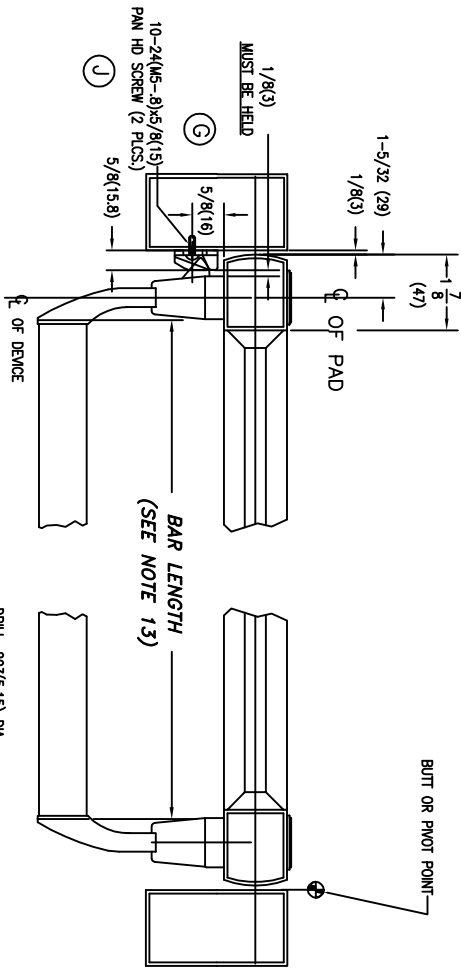
FUNCTIONAL	DIM. A
ILCO	1/4 (6.35)
LOCKWOOD	
YALE	
CORBIN	
SCHLAGE	
RUSSWIN	
WEICH	
KEIL	
SARGENT	3/8 (9.52)

FILE NO.	NEXT ASSY.	FINISH	INSTALLATION GUIDE
1095-KITS	1095-KITS	HEAT TREAT	1095
DR. USED 1			CENTER HUNG NARROW STILE

DATE	APPROVALS	DATE	REV.
19/32		6/28/97	
INCORPORATE SINTERED ROLLER-LESS "C" STRIKE			
19/32			
RM	RM		
RM			
RM			
RM			

JACKSON CORPORATION
1347 UNION ROAD, S.W.
LAKELAND, FL 33903

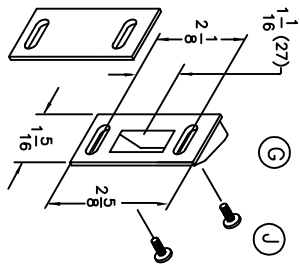
MOUNTING INSTRUCTIONS



1. DETERMINE HAND OF DOOR AND ESTABLISH CENTER LINE OF PADS ON STILES.
2. PREPARE STILES PER TEMPLATES:
10-484 TEMPLATE FOR ACTIVE STILE.
10-475 TEMPLATE FOR INACTIVE STILE.
3. DRILL CYLINDER MOUNTING HOLES ONLY IF REQUIRED
4. LOCATE CENTER LINE OF CYLINDER ON EXTERIOR SIDE OF ACTIVE STILE AND DRILL IF REQUIRED.
5. TRIM TAIL PIECE TO FIT AS SHOWN.
6. MOUNT CYLINDER IN PLACE AND SECURE WITH MOUNTING SCREWS. (SCREWS MUST BE FLUSH WITH DOOR.)
7. DETERMINE FUNCTION KEY DESIRED:
A.) REGULAR FUNCTION KEY REMOVABLE IN EITHER LOCKED OR UNLOCKED POSITION. FULLY RELEASE LATCH THEN SET INDEX MARK ON COUPLING BOSS STRAIGHT UP.
B.) NIGHT LATCH FUNCTION: KEY REMOVABLE IN LOCKED POSITION ONLY. PREFORM STEP 'A,' THEN ROTATE COUPLING BOSS 90° TOWARDS HINGE SIDE.
8. DRILL .203 (5.15) DIA. AND TAP 1/4-20 THD (4 PLCS.) ON ACTIVE & INACTIVE STILES & INSTALL FOUR (4) 1/4-20(M6-1.0) SHOULDER STUDS. MOUNT ACTIVE PAD TO STILE WITH THREE 1/4-20(M6-1.0)x1/2(12.7) SOC. SET SCREWS.
9. LOCATE AND DRILL MOUNTING HOLES FOR ADJUSTABLE STRIKE. (CENTER ON LATCH)
10. MOUNT AND SECURE STRIKE AS SHOWN.
11. CHECK OPERATION TO ASSURE THAT ALL PARTS AND CYLINDER ARE FUNCTIONING PROPERLY. ADJUST AS REQUIRED.
12. MOUNT INACTIVE PAD TO STILE WITH THREE (3) 1/4-20 (M6-1.0)x 1/2(12.7) SOC. SET SCREWS.
13. CUT LENGTH OF PANIC BAR BY MEASURING FROM INSIDE TO INSIDE EDGE OF MOUNTING PADS. 1/32± (.79) FIT TO SIZE.
14. LOOSEN INACTIVE PAD. INSTALL AND SECURE PANIC BAR WITH TWO 1/4-20(M6-1.0) x 1(25.4) OVAL HD.M.S. (PHIL.) RETIGHTEN PAD SET SCREWS.

DOGGING INSTRUCTIONS:

- H) TOWARD DEPRESS CROSS BAR TURN KEY TOWARD HINGE SIDE OR PUSH DOGGING PIN UP AND TURN 90° EITHER DIRECTION. TO UNDOG- DEPRESS CROSS BAR TURN KEY TOWARD LOCK SIDE OR ROTATE DOGGING PIN UNTIL IT RELEASES.

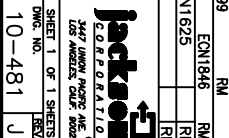


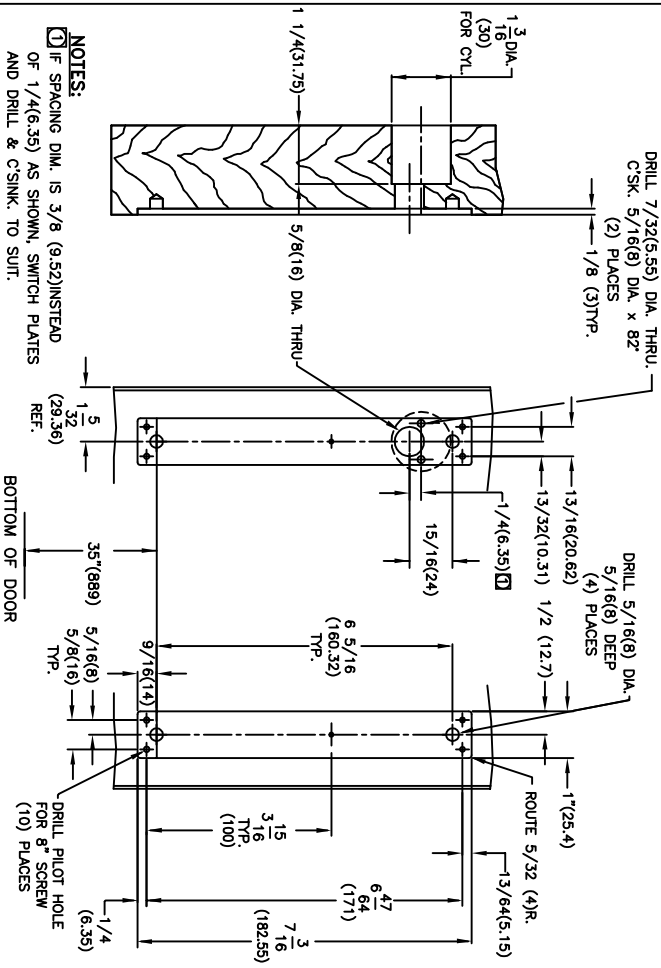
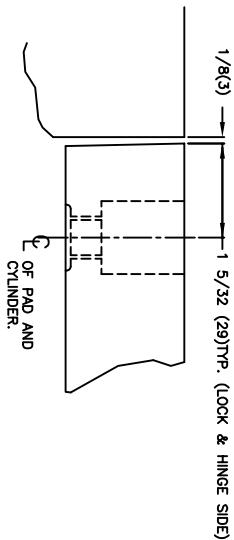
"C" STRIKE

FUNCTIONAL CYLINDERS	DIM.
ILCO	1/4(6.35)
LOCKWOOD	
YALE	
CORBIN	
SCHLAGE	
RUSSWIN	
WELCH	
KELL	
SARGENT	

FILE NO.	NEXT ASSY.	FINISH	INSTALLATION GUIDE	SHEET 1 OF 1 SHEETS
1095-KITS	1095-KITS	HEAT TREAT	1095 RIM PANIC DEVICE FOR OFFSET PIVOT OR BUTT HINGE	10-481

J 1.28.08 PANIC HEAD WAS OVAL	ECN1999	RM
H 6.20.05 REVERSE DOGGING INSTRUCTIONS- HINGE WAS LOCK <td>ECN1946 <td>RM</td> </td>	ECN1946 <td>RM</td>	RM
G 6.26.03 INCORPORATE CENTERED "C" STRIKE <td>ECN1825 <td>RM</td> </td>	ECN1825 <td>RM</td>	RM
F 6/17/98 R E D R A W I N G <td>ECN1143 <td>RM</td> </td>	ECN1143 <td>RM</td>	RM
E 6/17/98 R E D R A W I N G <td>ECN1143 <td>RM</td> </td>	ECN1143 <td>RM</td>	RM
D 6/17/98 R E D R A W I N G <td>ECN1143 <td>RM</td> </td>	ECN1143 <td>RM</td>	RM
C 6/17/98 R E D R A W I N G <td>ECN1143 <td>RM</td> </td>	ECN1143 <td>RM</td>	RM
B 6/17/98 R E D R A W I N G <td>ECN1143 <td>RM</td> </td>	ECN1143 <td>RM</td>	RM
A 6/17/98 R E D R A W I N G <td>ECN1143 <td>RM</td> </td>	ECN1143 <td>RM</td>	RM
ORIGINAL DIMENSIONS XX ± .010 <td>APPROVED <td></td> </td>	APPROVED <td></td>	
DECIMAL DIMENSIONS XX ± .005 <td>CREATED <td></td> </td>	CREATED <td></td>	
ANGULAR DIMENSIONS XX ± 1/64 <td>DRAWN <td>6/29/97</td> </td>	DRAWN <td>6/29/97</td>	6/29/97
MATERIAL <td>SCALE <td>NONE</td> </td>	SCALE <td>NONE</td>	NONE





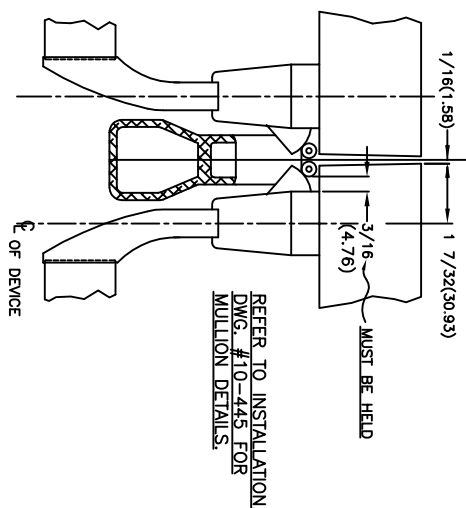
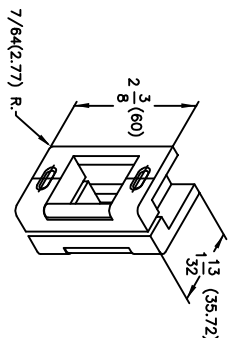
ACTIVE SIDE ROUTING FOR PLATE #30-886

INACTIVE SIDE ROUTING FOR PLATE #30-884

PACKAGE NO. 30-894

1095 WOOD APPLICATION

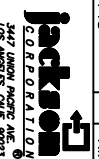
ROUTING OF WOOD DOOR FOR SUPPORT PLATES



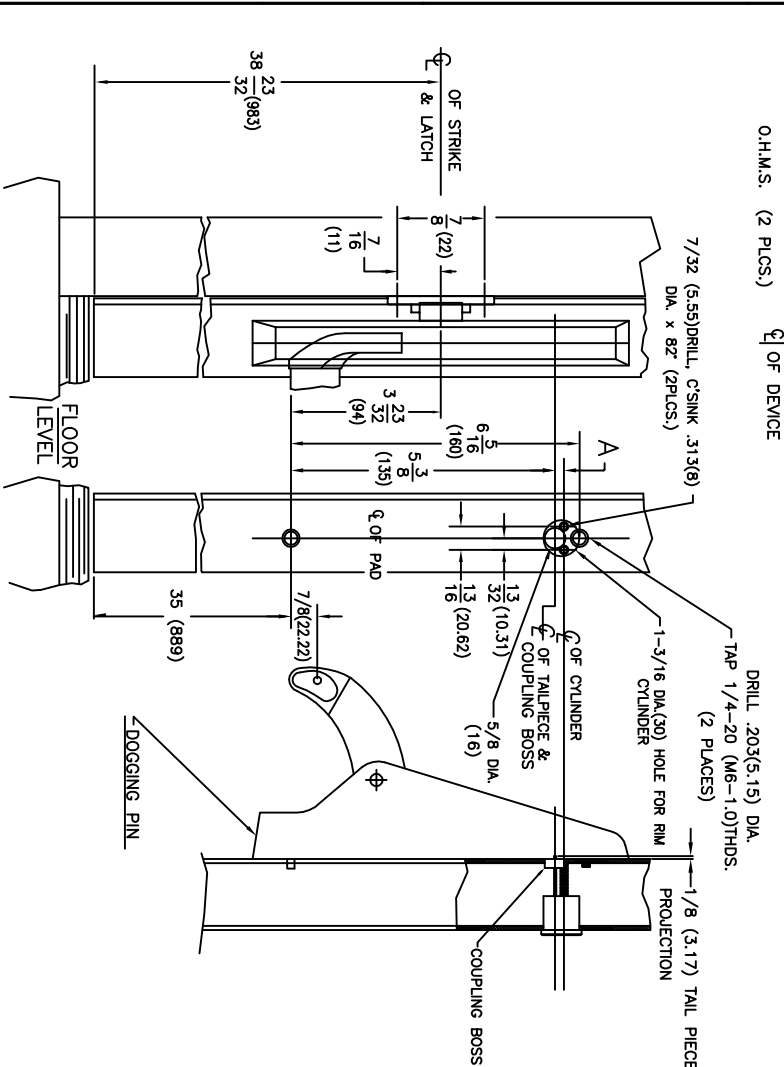
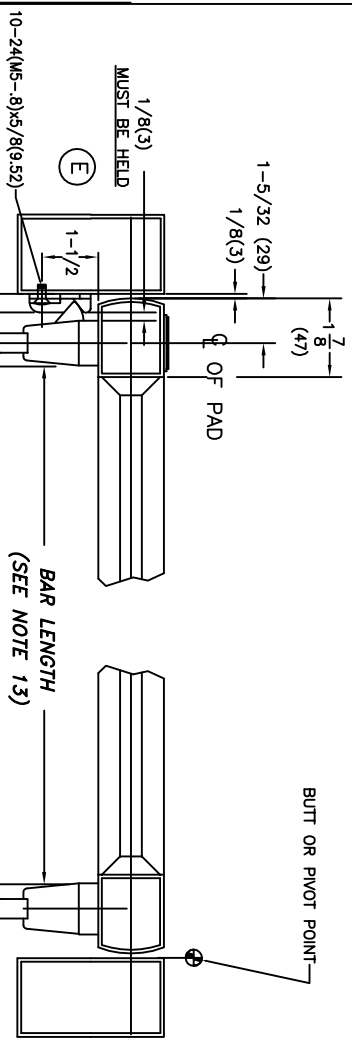
L.H.R.B. SHOWN

R.H.R.B. OPPOSITE

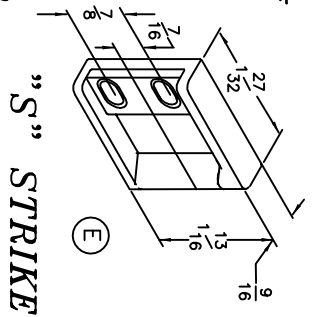
FILE NO.	APPROVALS	DATE	ECN1143	RM
NEXT ASSY.	DIMENSIONAL TOLERANCES UNLESS OTHERWISE SPECIFIED			
QTY. USED 1	DECIMAL DIMENSIONS XXX ± .010	APPROVED		
	ANGULAR DIMENSIONS XXX ± .005	DRAWN	RM	17/7/97
	MATERIAL	SCALE	NONE	
	FINISH	1095 XWOOD APPLICATION		
	HEAT TREAT	SHEET 1 OF 1 SHEETS		
		DWG. NO. 10-482		



MOUNTING INSTRUCTIONS



1. DETERMINE HAND OF DOOR AND ESTABLISH CENTER LINE OF PADS ON STILES.
 2. PREPARE STILES PER TEMPLATES:
10-484 TEMPLATE FOR ACTIVE STILE.
10-475 TEMPLATE FOR INACTIVE STILE.
 3. DRILL CYLINDER MOUNTING HOLES ONLY IF REQUIRED
 4. LOCATE CENTER LINE OF CYLINDER ON EXTERIOR SIDE OF ACTIVE STILE AND DRILL IF REQUIRED.
 5. TRIM TAIL PIECE TO FIT AS SHOWN.
 6. MOUNT CYLINDER IN PLACE AND SECURE WITH MOUNTING SCREWS. (SCREWS MUST BE FLUSH WITH DOOR.)
 7. DETERMINE FUNCTION KEY DESIRED:
A.) REGULAR FUNCTION KEY REMOVABLE IN EITHER LOCKED OR UNLOCKED POSITION. FULLY RELEASE LATCH THEN SET INDEX MARK ON COUPLING BOSS STRAIGHT UP.
B.) NIGHT LATCH FUNCTION: KEY REMOVABLE IN LOCKED POSITION ONLY. PREFORM STEP 'A', THEN ROTATE' COUPLING BOSS 90° TOWARDS HINGE SIDE.
 8. DRILL .203 (5.15) DIA. AND TAP 1/4-20 THD (4 PLCS.) ON ACTIVE & INACTIVE STILES & INSTALL FOUR (4) 1/4-20(M6-1.0) SHOULDER STUDS. MOUNT ACTIVE PAD TO STILE WITH THREE 1/4-20(M6-1.0)x1/2(12.7) SOC. SET SCREWS.
 9. LOCATE AND DRILL MOUNTING HOLES FOR ADJUSTABLE STRIKE. (CENTER ON LATCH)
 10. MOUNT AND SECURE STRIKE AS SHOWN.
 11. CHECK OPERATION TO ASSURE THAT ALL PARTS AND CYLINDER ARE FUNCTIONING PROPERLY. ADJUST AS REQUIRED.
 12. MOUNT INACTIVE PAD TO STILE WITH THREE (3) 1/4-20 (M6-1.0)x 1/2(12.7) SOC. SET SCREWS.
 13. CUT LENGTH OF PANIC BAR BY MEASURING FROM INSIDE TO INSIDE EDGE OF MOUNTING PADS. 1/32± (.79) FIT TO SIZE.
 14. LOOSEN INACTIVE PAD. INSTALL AND SECURE PANIC BAR WITH TWO 1/4-20(M6-1.0) x 1(25.4) OVAL HD.M.S. (PHIL.) RETIGHTEN PAD SET SCREWS.
- DOGGING INSTRUCTIONS:**
TO DOG- DEPRESS CROSS BAR TURN KEY TOWARD LOCK SIDE OR PUSH DOGGING PIN UP AND TURN 90° EITHER DIRECTION.
TO UNDOG- DEPRESS CROSS BAR TURN KEY TOWARD LOCK SIDE OR ROTATE DOGGING PIN UNTIL IT RELEASES.



FUNCTIONAL CYLINDERS	DIM. A
ILCO	1/4(6.35)
LOCKWOOD	
YALE	
GORBIN	
SCHLAGE	
RUSSWIN	
WELCH	
KELL	
SARGENT	3/8(9.52)

FILE NO.	
NEXT ASSY	1095-KITS
QTY. USED	1

E 6.27.03	PICTORIAL SHOWING ROLLER-LESS "S" STRIKE SHOWN	ECN1143	ECN1625	RM
D 6/11/98	R E D R A W N			RM
DIMENSIONAL TOLERANCES UNLESS OTHERWISE SPECIFIED		APPROVALS	DATE	
DECIMAL DIMENSIONS .XX ± .010		APPROVED		
DECIMAL DIMENSIONS .XXX ± .005		CHECKED		
ANGULAR ± X ° FRACTIONAL ± 1/64		DRAWN	RM	6/28/97
MATERIAL		SCALE	NONE	
FINISH		INSTALLATION GUIDE 1095 RIM PANIC DEVICE FOR OFFSET PIVOT x "S" STRIKE		
HEAT TREAT		SHEET 1 OF 1 SHEETS DWG. NO. 10-499 REV. E		

