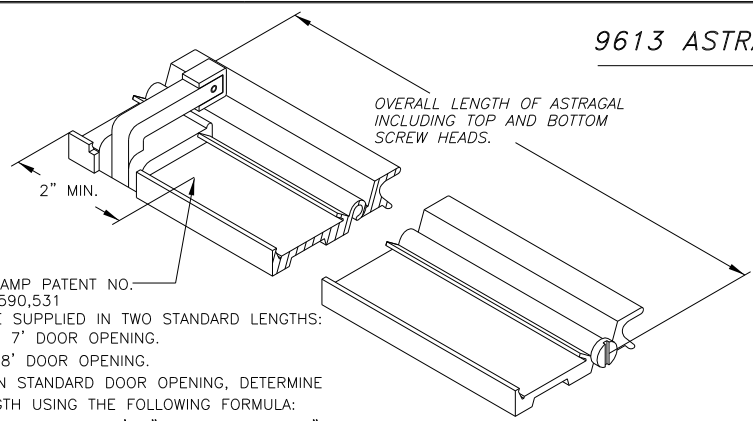


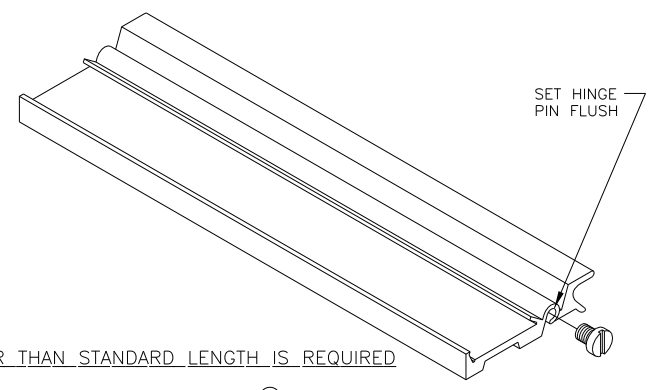
9613 ASTRAGAL PREPARATION INSTRUCTIONS

①



- STAMP PATENT NO. 3,590,531
- 1A. ASTRAGALS ARE SUPPLIED IN TWO STANDARD LENGTHS:
 82-5/16" FOR 7' DOOR OPENING.
 94-1/4" FOR 8' DOOR OPENING.
- 1B. FOR LESS THAN STANDARD DOOR OPENING, DETERMINE ASTRAGAL LENGTH USING THE FOLLOWING FORMULA:
- | | |
|-------------------------------|------------------|
| LENGTH OF DOOR OPENING: 6'-8" | 80" |
| LESS DOOR STOP | 1/2" |
| LESS ASTRAGAL TOP CLEARANCE | 9/32" |
| LESS SCREW HEAD CLEARANCE | 3/16" |
| LESS BOTTOM DOOR CLEARANCE | 3/16" |
| LESS THRESHOLD | 1/2" |
| | <u>78-11/32"</u> |
- 1C. AFTER ASTRAGAL LENGTH HAS BEEN DETERMINED, THE SCREW COVER SHOULD BE CUT TO LENGTH USING FOLLOWING FORMULA:
- | | |
|------------------------------------|-----------------|
| ASTRAGAL LENGTH | 78-11/32" |
| LESS TOP CLEARANCE OF SCREW COVER: | 1-9/32" |
| | <u>77-1/16"</u> |

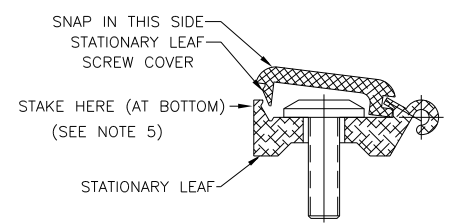
②



- IF OTHER THAN STANDARD LENGTH IS REQUIRED
- 2A. DETERMINE LENGTH AS SHOWN IN VIEW ①
- 2B. REMOVE #6 x 1/4 PAN HD. SELF TAPPING SCREW AT BOTTOM OF ASTRAGAL.
- 2C. RAP BOTTOM OF ASTRAGAL ON FLOOR TO SET HINGE PIN FLUSH WITH ASTRAGAL. IMPORTANT: DO NOT ALLOW HINGE PIN TO EXTEND OUT FROM ASTRAGAL.
- 2D. CUT ASTRAGAL AS REQUIRED.

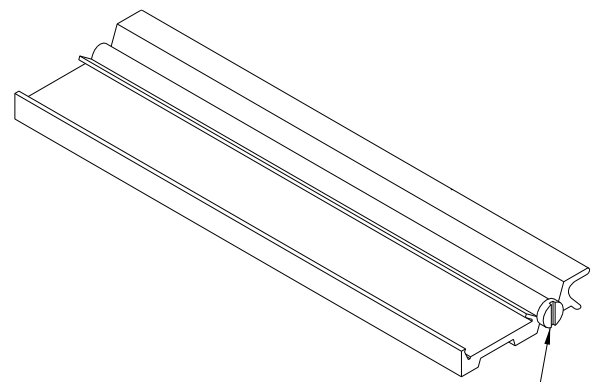
INSTALLATION INSTRUCTIONS FOR STATIONARY LEAF SCREW COVER

- CHECK ALIGNMENT AND FUNCTION OF ASTRAGAL ON DOOR SINCE ADJUSTMENTS CANNOT BE MADE AFTER LEAF SCREW COVER IS INSTALLED.
- LINE UP STATIONARY LEAF AND LEAF SCREW COVER AT THE BOTTOM.
- INSTALL LEAF SCREW COVER AS SHOWN.



- SNAP IN LEAF SCREW COVER. THIS MAY BE DONE BY USING A Mallet AND A WOOD BLOCK AND TAPPING EDGE EVERY THREE (3) INCHES ALONG THE LENGTH OF THE ASTRAGAL.
- AFTER LEAF SCREW COVER IS INSTALLED, STAKE STATIONARY LEAF AT BOTTOM.
- TO REMOVE LEAF SCREW COVER: INSERT A TACK PULLER OR SCREW DRIVER BLADE AT EITHER TOP OR BOTTOM OF THE LEAF SCREW COVER AND CAREFULLY PRY UP EDGE-SNAP SIDE.
- SLIDE TOOL ALONG EDGE OF ASTRAGAL UNTIL LEAF SCREW COVER SNAPS FREE. IF DONE CAREFULLY, THE LEAF SCREW COVER MAY RE-USED.

③



- 3A. REPLACE #6 x 1/4 PAN HD. SELF-TAPPING
- 3B. REPEAT SAME PROCEDURE WITH OTHER ASTRAGAL LEAF.
- 3C. ASTRAGAL IS NOW READY FOR INSTALLATION. CHECK FOR SMOOTH OPERATION.

B 3/5/98		R E D R A W N		ECN1143	RM
DIMENSIONAL TOLERANCES UNLESS OTHERWISE SPECIFIED		APPROVALS		DATE	
DECIMAL DIMENSIONS .XX ± .010		APPROVED			
DECIMAL DIMENSIONS .XXX ± .005		CHECKED			
ANGULAR ± ° FRACTIONAL ± 1/64		DRAWN		JJM 6/19/97	
FILE NO.	MATERIAL	SCALE		NONE	
NEXT ASSY. 9613-X-XXX	FINISH	9613		SHEET 2 OF 2 SHEETS	
QTY. USED 1	HEAT TREAT	ASTRAGAL		DWG. NO. 15-577	

