

DELTA DOORS

7 5 0 0 N W 6 9 ^{T H} A V E .

Miami, Fl 33166

TEL 305-888-0077 FAX 305-884-3111

e-mail: deltadoors@deltadoors.com www.deltadoors.com

SERIES DH-350 ALUMINUM OUTSWING AND IN-SWING STANDARD IMPACT DOORS

DELTA DOORS

7 5 0 0 N W 6 9 ^{T H} A V E .

Miami, Fl 33166

TEL 305-888-0077 FAX 305-884-3111

e-mail: deltadoors@deltadoors.com www.deltadoors.com

TABLE OF CONTENTS

SECTION	PAGE
<u>OUTSWING DOORS</u>	
GENERAL NOTES	2-3
DH-350 PAIR OF DOOR. TYPICAL ELEVATION	4
DH-350 SINGLE DOOR. TYPICAL ELEVATION	5
DOOR HEAD & SILL TYPICAL DETAILS	6
MEETING STILES & DOOR JAMB TYPICAL DETAILS	7
1" JAMB & LOCKING STILE TYPICAL DETAILS	8
DOOR MATERIAL SCHEDULE	9
<u>IN-SWING DOORS</u>	
GENERAL NOTES	10-11
DH-350 PAIR OF DOOR. TYPICAL ELEVATION	12
DH-350 SINGLE DOOR. TYPICAL ELEVATION	13
DOOR HEAD & SILL TYPICAL DETAILS	14
MEETING STILES & DOOR JAMB TYPICAL DETAILS	15
1" JAMB & LOCKING STILE TYPICAL DETAILS	16
DOOR MATERIAL SCHEDULE	17

DELTA DOORS

7 5 0 0 N W 6 9 ^{T H} A V E .

Miami, Fl 33166

TEL 305-888-0077 FAX 305-884-3111

e-mail: deltadoors@deltadoors.com www.deltadoors.com

Delta Doors has been the leader in hurricane-resistant doors for residential, commercial and industrial applications. We combine engineering with our integrated manufacturing processes in order to provide products with the highest level of quality and at a competitive price.

STANDARD DOORS DH-350 ALUMINUM OUTSWING ENTRANCE DOOR.

Notice of Acceptance:

NOA No. 04-1123.01

Expires February 10, 2010

PERFORMANCE

Meets all Miami-Dade County, Florida, air, water, structural and impact requirements

Large and small missile impact test

- Maximum design pressure of +100 psf to -100 psf
- Water infiltration at 15 psf
- Air Infiltration = 0.050 cfm/sq.ft. at a pressure differential of 6.24 psf
- Forced Entry Resistance: 300 pound concentrated load

STANDARD FEATURES

- Standard panel size: 36" x 84" for single doors and 72" x 84" for pair of doors.
- 36" x 96" for single doors and 72" x 96" for pair of doors.
- Heavy Commercial class and grade
- 3.75" wide, 2" deep door rails and stiles
- 8" bottom rail
- Heavy duty internal corner clips
- 1" x 5" or 1.75" x 5" door frame
- 0.125 nominal wall thickness, door and frame
- 1.5 pair of 4" x 4.5" mortised aluminum butt hinges with non-removable stainless steel hinge pins for 3070 / 6070 doors
- 2 pair of 4" x 4.5" mortised aluminum butt hinges with non-removable stainless steel hinge pins for 3080 / 6080 doors
- Double rows of weather seals
- Stainless steel 4-point locking system including latch lock, deadbolt lock with shoot-bolts top and bottom
- Standard Push/Pull set 1" round us28 finish.
- Removable interlocking glazing beads
- Wet/Dry glazing method
- Three color option

PRODUCT APPLICATIONS

The DH-350 Storefront Door is a high performance door for use in all commercial applications condominiums, retails, hotel lobby and office buildings, and is intended to be installed in punched openings or as a liner frame within other Delta Doors impact framing systems.

DELTA DOORS

7 5 0 0 N W 6 9 ^{T H} A V E .

Miami, Fl 33166

TEL 305-888-0077 FAX 305-884-3111

e-mail: deltadoors@deltadoors.com www.deltadoors.com

MATERIALS

- Aluminum frame sections should be extruded aluminum AA 6063 T6 alloy
- Glazing materials shall be custom EPDM spacer by Tremco, Dow Corning #995 structural silicone and EPDM wedge by Tremco

Large and small missile impact glass

Glass: 9/16" laminated impact glass 0.075"
VS02 Vanceva composite interlayer by Solutia

Laminated Glass Composition: 1/4" heat-strengthened laminated glass +
0.075" VS02 interlayer + 1/4" heat-strengthened glass

Tint of glass available as selected by the architect/owner

FINISHES

Standard aluminum finishes:

- Polycron 500 polyester (white)
- Bronze anodized
- Clear anodized
- Kynar 500 (special order)

OPTIONAL FEATURES

- Concealed overhead closer
- Exposed heavy duty closer
- Applied Muntins

INSTALLATION

Delivered pre-assembled and glazed – ready to be placed into opening and attached along the perimeter with installation fasteners

WARRANTY

- One-year standard manufacturer's warranty
- Five-year warranty on Kynar finish
- Five-year glass manufacturer's warranty on laminated glass

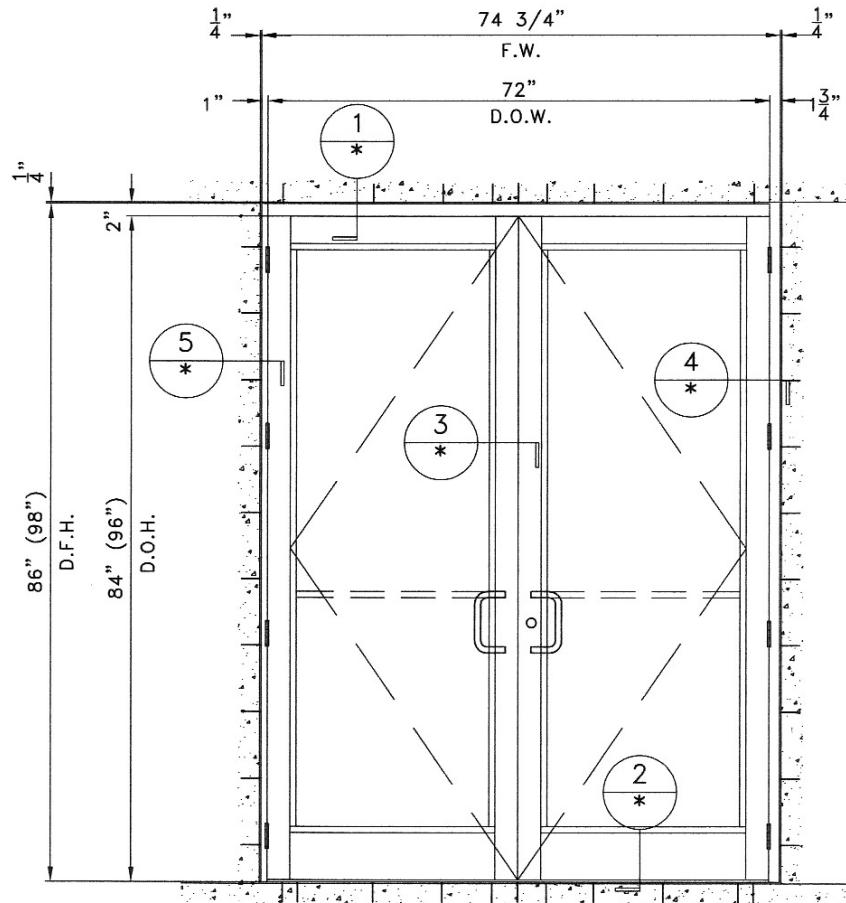
DELTA DOORS

7 5 0 0 N W 6 9 ^{T H} A V E .

Miami, Fl 33166

TEL 305-888-0077 FAX 305-884-3111

e-mail: deltadoors@deltadoors.com www.deltadoors.com



TYPICAL ELEVATION

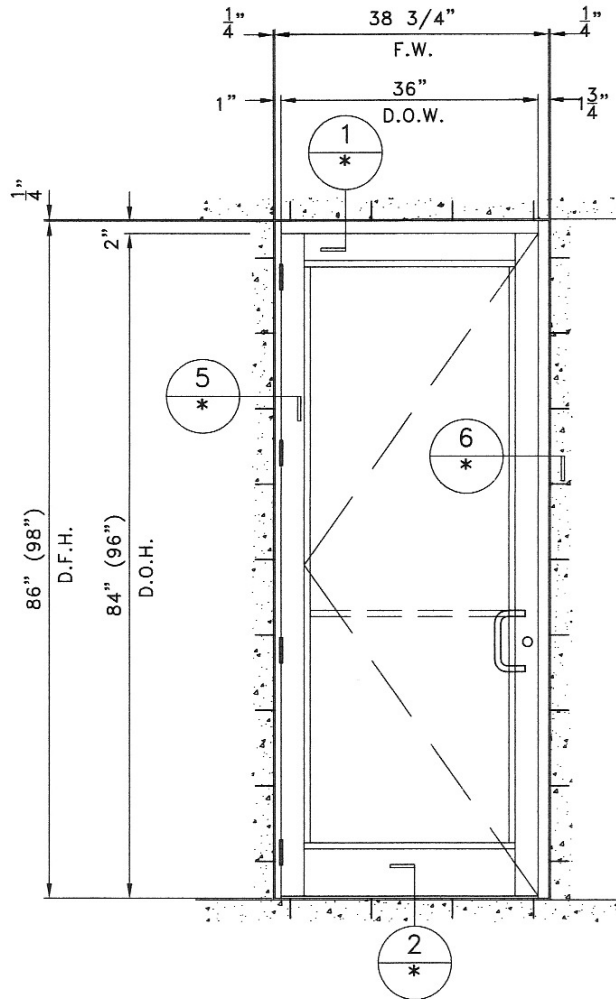
DELTA DOORS

7 5 0 0 N W 6 9 ^{T H} A V E .

Miami, Fl 33166

TEL 305-888-0077 FAX 305-884-3111

e-mail: deltadoors@deltadoors.com www.deltadoors.com



TYPICAL ELEVATION

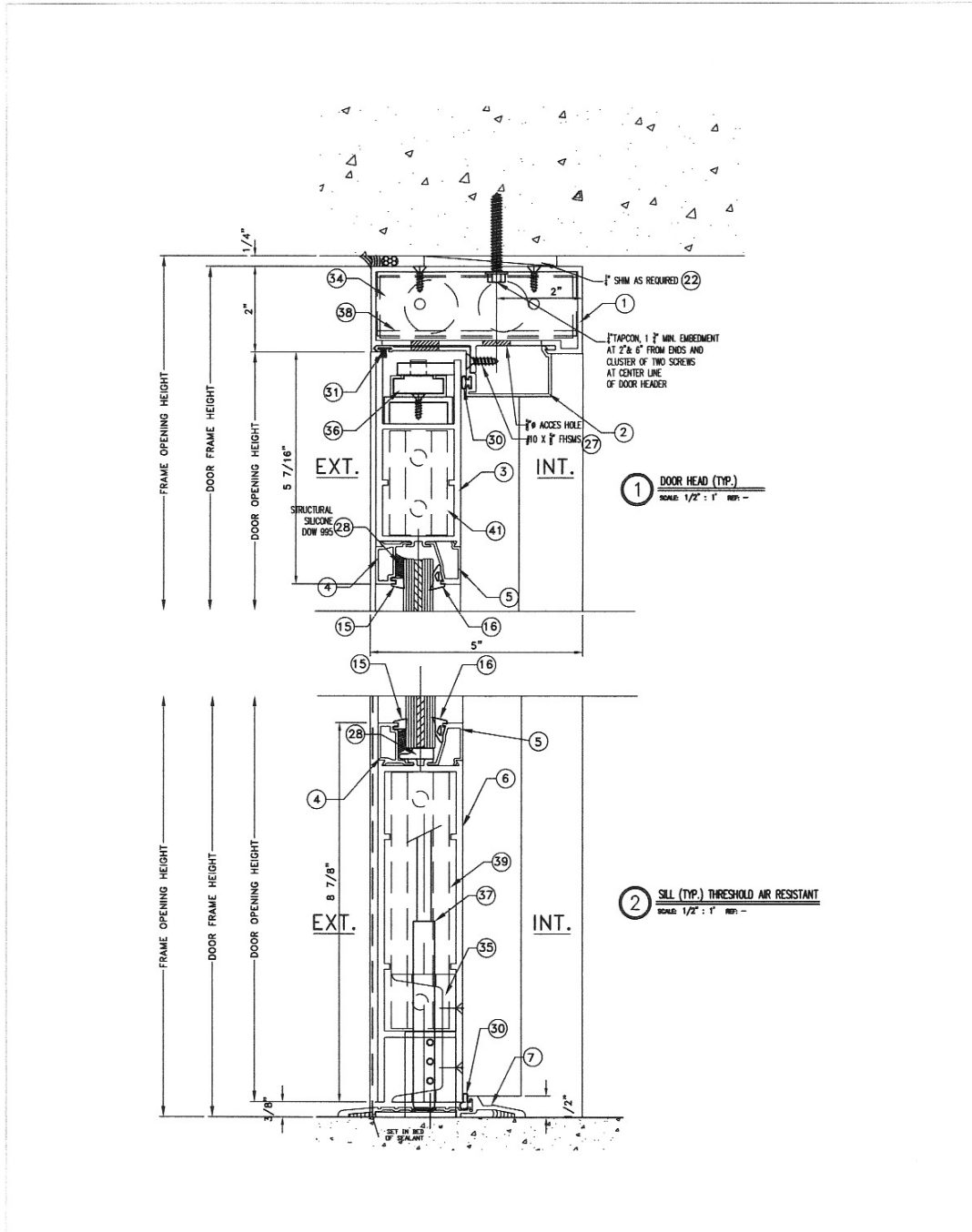
DELTA DOORS

7500 NW 69TH AVE.

Miami, FL 33166

TEL 305-888-0077 FAX 305-884-3111

e-mail: deltadoors@deltadoors.com www.deltadoors.com



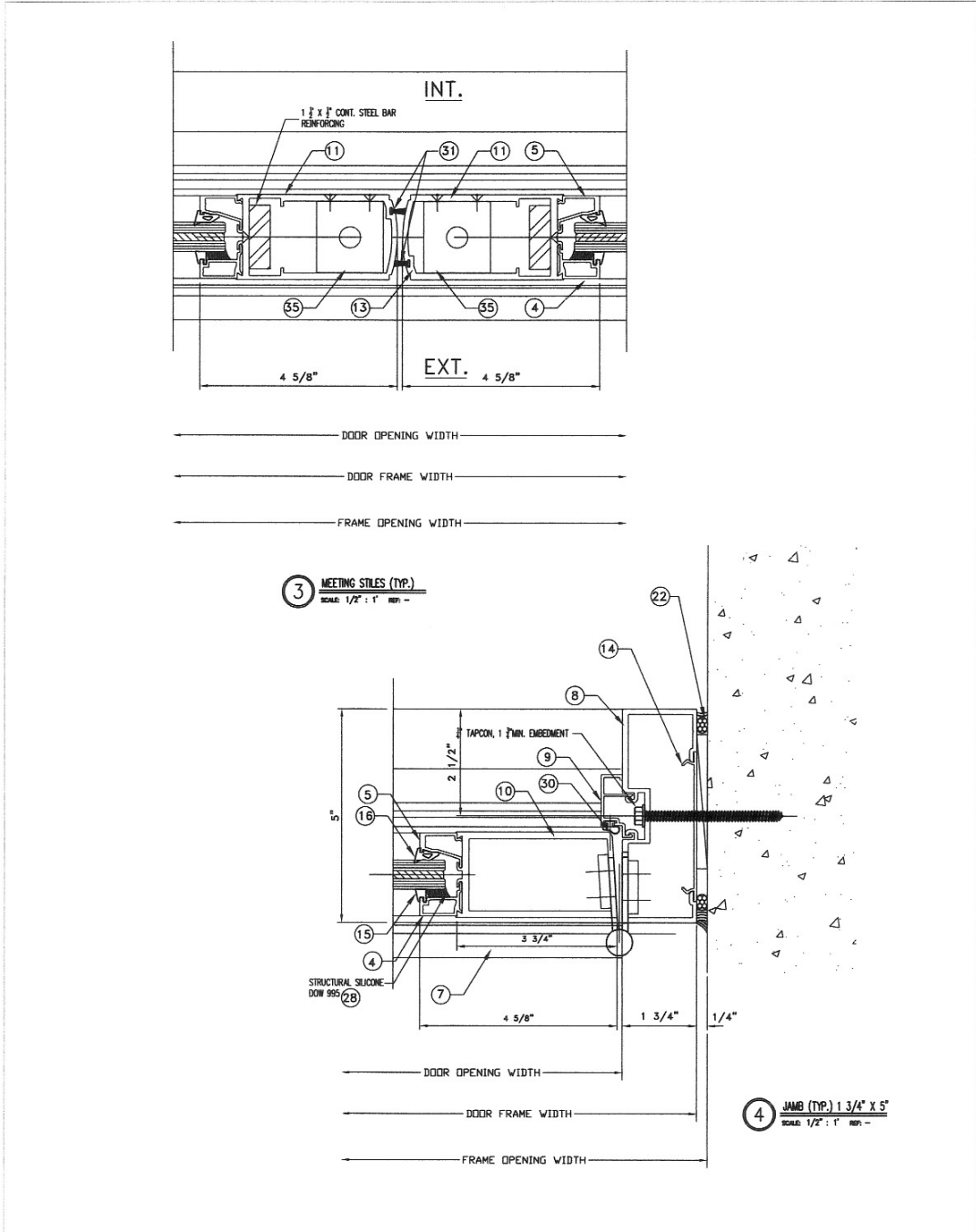
DELTA DOORS

7 5 0 0 N W 6 9 ^{T H} A V E .

Miami, Fl 33166

TEL 305-888-0077 FAX 305-884-3111

e-mail: deltadoors@deltadoors.com www.deltadoors.com



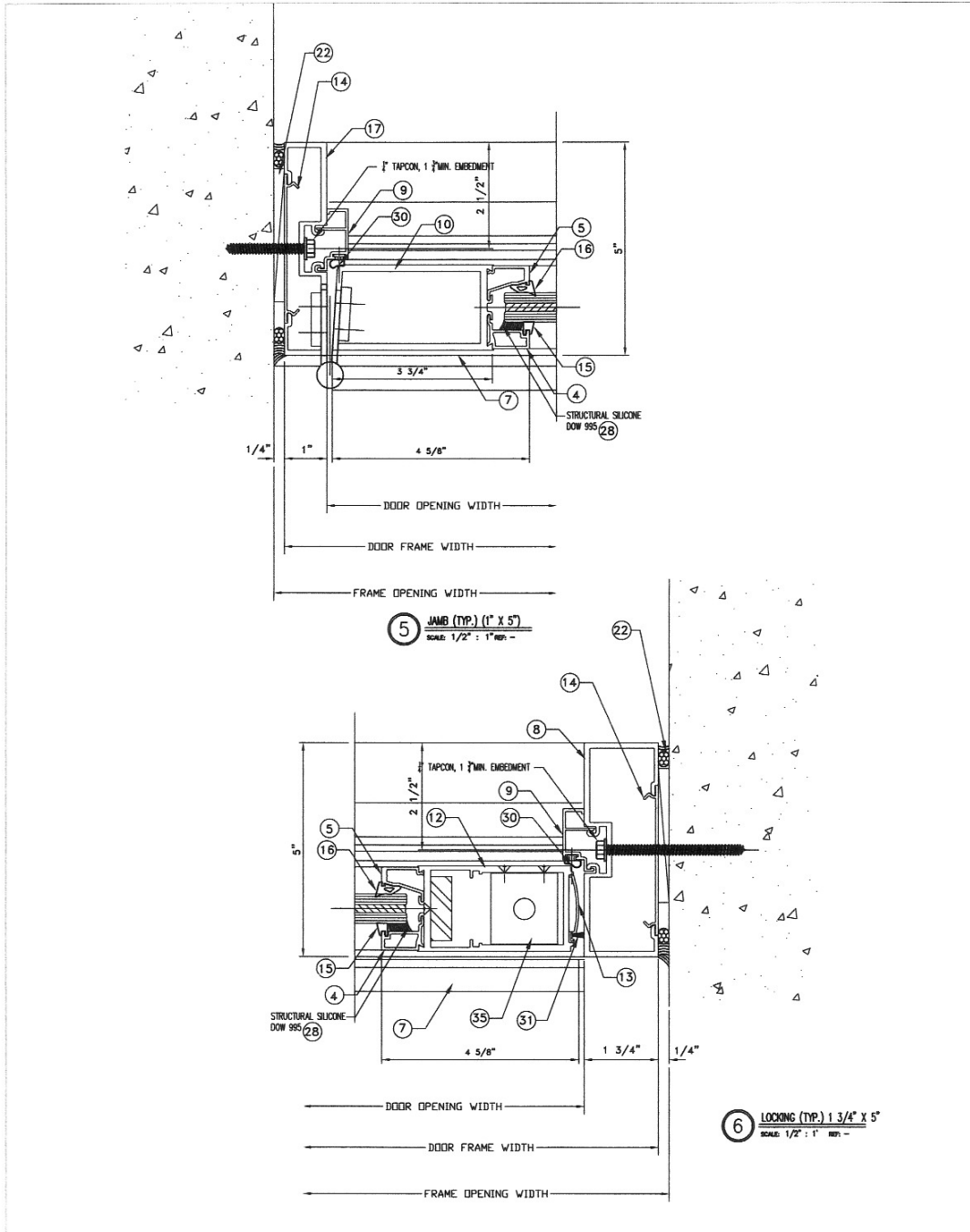
DELTA DOORS

7 5 0 0 N W 6 9 ^{T H} A V E .

Miami, Fl 33166

TEL 305-888-0077 FAX 305-884-3111

e-mail: deltadoors@deltadoors.com www.deltadoors.com







DELTA DOORS

7 5 0 0 N W 6 9 ^{T H} A V E .

Miami, Fl 33166

TEL 305-888-0077 FAX 305-884-3111

e-mail: deltadoors@deltadoors.com www.deltadoors.com

DOOR MATERIAL SCHEDULE			
ITEM	PART	DESCRIPTION	REMARKS
①	DLD-105	DOOR FRAME HEAD	
②	DLD-106	DOOR STOP AT HEAD	
③	DLD-107	DOOR HEAD	
④	DLD-108	GLASS STOP	
⑤	DLD-109	GLASS STOP	
⑥	DLD-110	DOOR SILL	
⑦	DLD-111	THRESHOLD AIR ONLY	
⑧	DLD-124	JAMB	1 3/4" X 5"
⑨	BCE-460	DOOR STOP AT JAMB	
⑩	DLD-114	BEVELED STILE	
⑪	DLD-115	FIXED STILE	
⑫	DLD-116	LOCKED STILE	
⑬	DLD-117	CAP AT LOCKED STILE	
⑭	BCE-475	FLAT FILLER	
⑮	----	GASKET	TR-5399S 70 DUROMETER SILICONE 
⑯	----	GASKET	TR-3235E 70 DUROMETER EPDM 
⑰	DLD-119	JAMB	1" X 5"
⑱	DLD-102	GLAZING STOP	
⑲	DLD-103	FRAME HEAD / SILL	
⑳	DLD-125	GLAZING ADAPTOR	
㉑	DLD-101	POCKET FILLER	
㉒	----	SHIM	1/4" PLASTIC SHIM
㉓	2100	GLAZING TAPE	
㉔	1350	SETTING BLOCK	
㉕	GG-75	INTERIOR SPACER	IMPACT SYS.
㉖	----	ANCHORING SCREWS	1/4" TAPCON 1 3/4" MIN. EMBEDMENT
㉗	----	ASSEMBLY SCREWS	#10 X 5/8" FHSMS
㉘	----	STRUCTURAL SILICONE	DOW 995
㉙	----	4 1/2" X 4" BUTT HINGES	
㉚	BW-75	BULB WEATHERSTRIPPING	.375"H X .270 T-SLOT 
㉛	T4216-K	WEATHERSTRIPPING	ULTRAFAB 
㉜	2222-H	3-POINT LOCK	ADAMS RITE W/KEY CYLINDER & THUMB TURN ● ACTIVE LEAF
㉝	2222-H2	2-POINT LOCK	ADAMS RITE W/KEY CYLINDER & THUMB TURN ● INACTIVE LEAF
㉞	3031	CONCEALED CLOSER	OVERHEAD CONCEALED CLOSER REGENT SERIES 3031
㉟	DH-1	FLUSH BOLT GUIDE	3" LONG ALUMINUM FLUSH BOLT GUIDE
㊱	DH-2	PANEL TRACK	CONCEALED CLOSER PANEL TRACK
㊲	DH-3	CUSTOM STEEL BOLT	1/2" X 5"
㊳	DH-4	SHEAR BLOCK	1 1/2" X 4 11/16" X 1" X 1/8" THK
㊴	DH-5	SHEAR BLOCK	6" LONG
㊵	1490	PANIC DEVICE	DOR-O-MATIC 1490 CONCEALED VERTICAL PANIC DEVICE
㊶	DH-7	SHEAR BLOCK	2 7/16" SHEAR BLOCK AT HEAD
㊷	DLD-100	JAMB/VERT	

DELTA DOORS

7 5 0 0 N W 6 9 ^{T H} A V E .

Miami, Fl 33166

TEL 305-888-0077 FAX 305-884-3111

e-mail: deltadoors@deltadoors.com www.deltadoors.com

STANDARD DOORS DH-350 ALUMINUM IN-SWING ENTRANCE DOOR.

Notice of Acceptance:

NOA No. 07-0220.07

Expires April 26, 2012

PERFORMANCE

Meets all Miami-Dade County, Florida, air, structural and impact requirements

Large and small missile impact test

- Maximum design pressure of +100 psf to -100 psf
- Air Infiltration = 0.050 cfm/sq.ft. at a pressure differential of 6.24 psf
- Forced Entry Resistance: 300 pound concentrated load

STANDARD FEATURES

- Standard panel size: 36" x 84" for single doors and 72" x 84" for pair of doors.
- 36" x 96" for single doors and 72" x 96" for pair of doors.
- Heavy Commercial class and grade
- 3.75" wide, 2" deep door rails and stiles
- 8" bottom rail
- Heavy duty internal corner clips
- 1" x 5" or 1.75" x 5" door frame
- 0.125 nominal wall thickness, door and frame
- 1.5 pair of 4" x 4.5" mortised aluminum butt hinges with non-removable stainless steel hinge pins for 3070 / 6070 doors
- 2 pair of 4" x 4.5" mortised aluminum butt hinges with non-removable stainless steel hinge pins for 3080 / 6080 doors
- Double rows of weather seals
- Stainless steel 4-point locking system including latch lock, deadbolt lock with shoot-bolts top and bottom
- Standard Push/Pull set 1" round US28 finish.
- Removable interlocking glazing beads
- Wet/Dry glazing method
- Three color option

PRODUCT APPLICATIONS

The DH-350 In-Swing Door is a high performance door designed for all commercial applications, retail, hotel pool deck, condominiums, institutional and industrial applications and is intended to be installed in punched openings or as a liner frame within other Delta Doors impact framing systems.

DELTA DOORS

7 5 0 0 N W 6 9 ^{T H} A V E .

Miami, Fl 33166

TEL 305-888-0077 FAX 305-884-3111

e-mail: deltadoors@deltadoors.com www.deltadoors.com

MATERIALS

- Aluminum frame sections should be extruded aluminum AA 6063 T6 alloy
- Glazing materials shall be custom EPDM spacer by Tremco, Dow Corning #995 structural silicone and EPDM wedge by Tremco

Large and small missile impact glass

Glass: 9/16" laminated impact glass 0.090" interlayer Sentry Glass Plus by Dupont

Laminated Glass Composition: 1/4" heat-strengthened laminated glass + 0.090 interlayer Sentry Glass Plus + 1/4" heat-strengthened glass

Tint of glass available as selected by the architect/owner

FINISHES

Standard aluminum finishes:

- Polycron 500 polyester (white)
- Bronze anodized
- Clear anodized
- Kynar 500 (special order)

OPTIONAL FEATURES

- Concealed overhead closer
- Exposed heavy duty closer
- Applied Muntins

INSTALLATION

Delivered pre-assembled and glazed – ready to be placed into opening and attached along the perimeter with installation fasteners

WARRANTY

- One-year standard manufacturer's warranty
- Five-year warranty on Kynar finish
- Five-year glass manufacturer's warranty on laminated glass

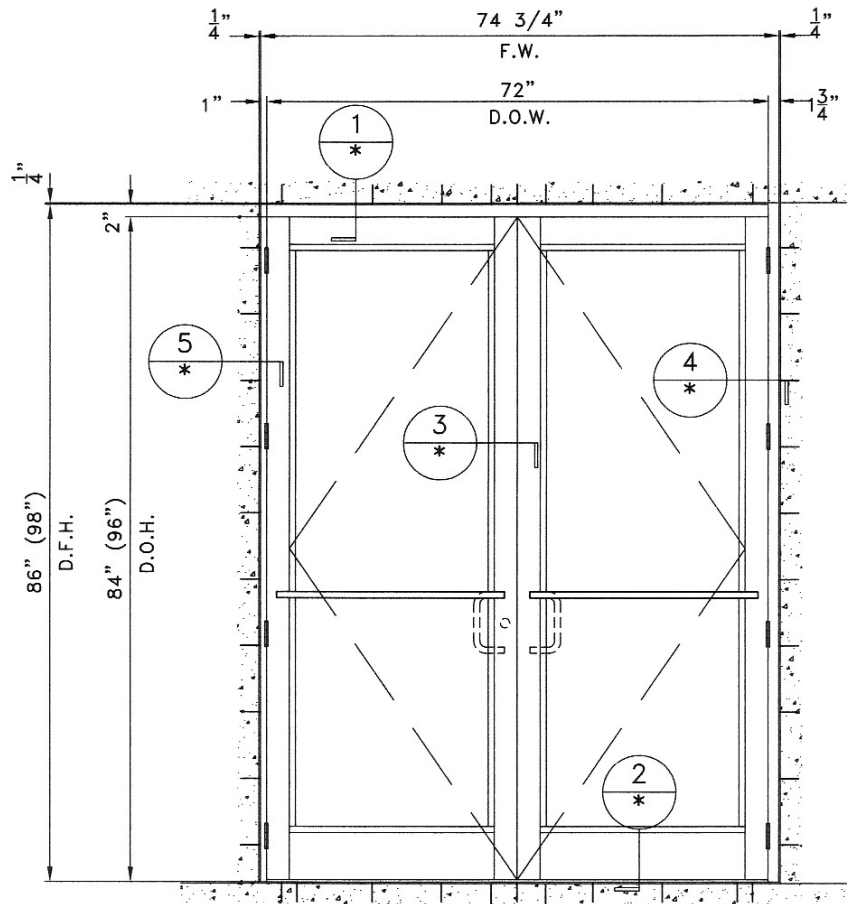
DELTA DOORS

7 5 0 0 N W 6 9 ^{T H} A V E .

Miami, Fl 33166

TEL 305-888-0077 FAX 305-884-3111

e-mail: deltadoors@deltadoors.com www.deltadoors.com



TYPICAL ELEVATION
IN SWING DOOR

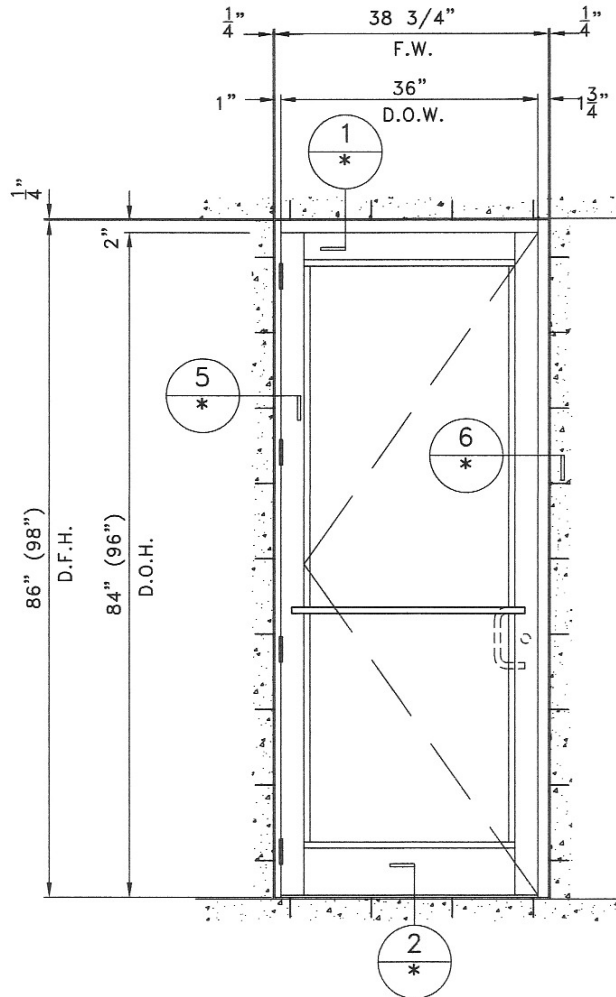
DELTA DOORS

7 5 0 0 N W 6 9 ^{T H} A V E .

Miami, Fl 33166

TEL 305-888-0077 FAX 305-884-3111

e-mail: deltadoors@deltadoors.com www.deltadoors.com



TYPICAL ELEVATION
IN SWING DOOR

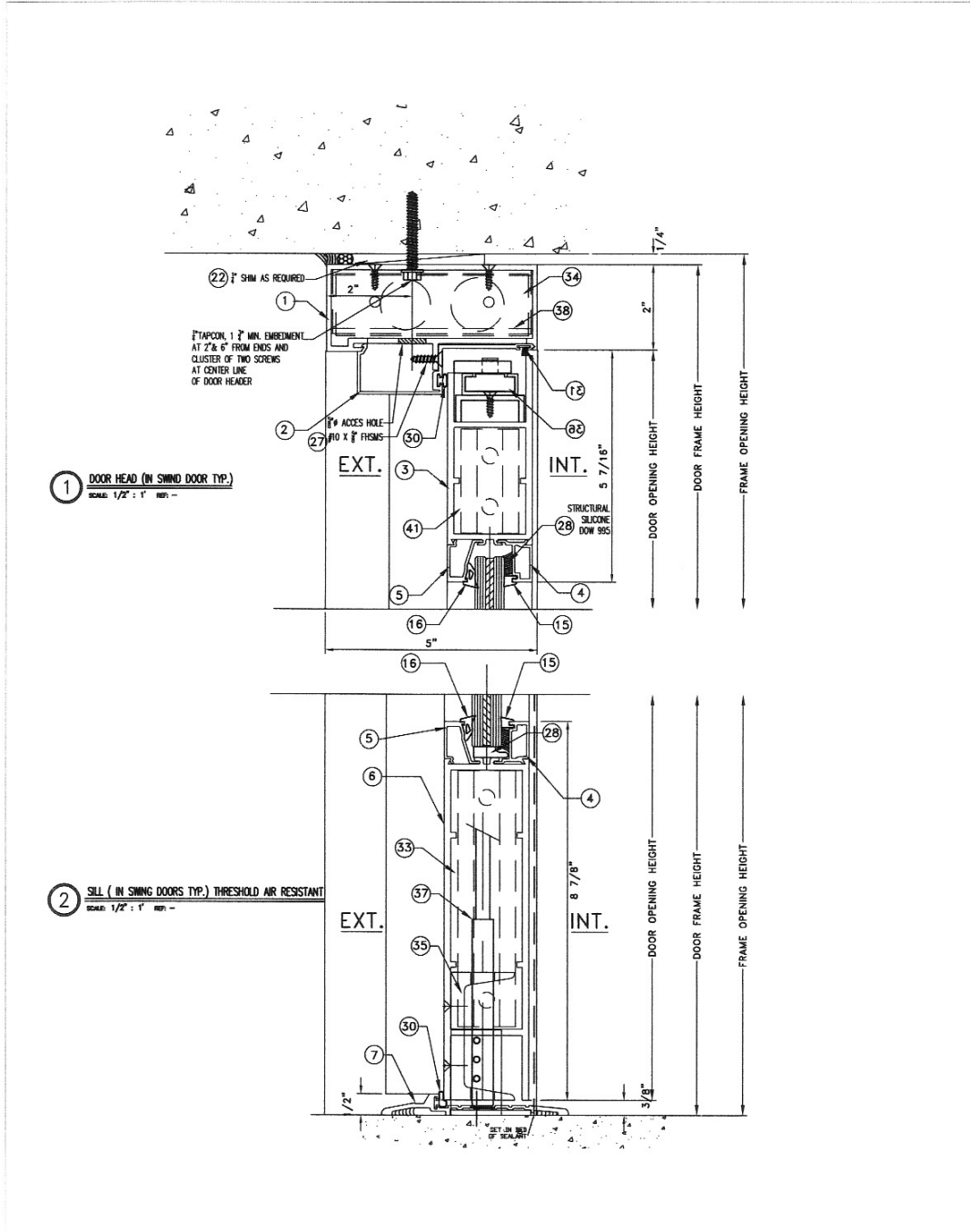
DELTA DOORS

7500 NW 69TH AVE.

Miami, FL 33166

TEL 305-888-0077 FAX 305-884-3111

e-mail: deltadoors@deltadoors.com www.deltadoors.com



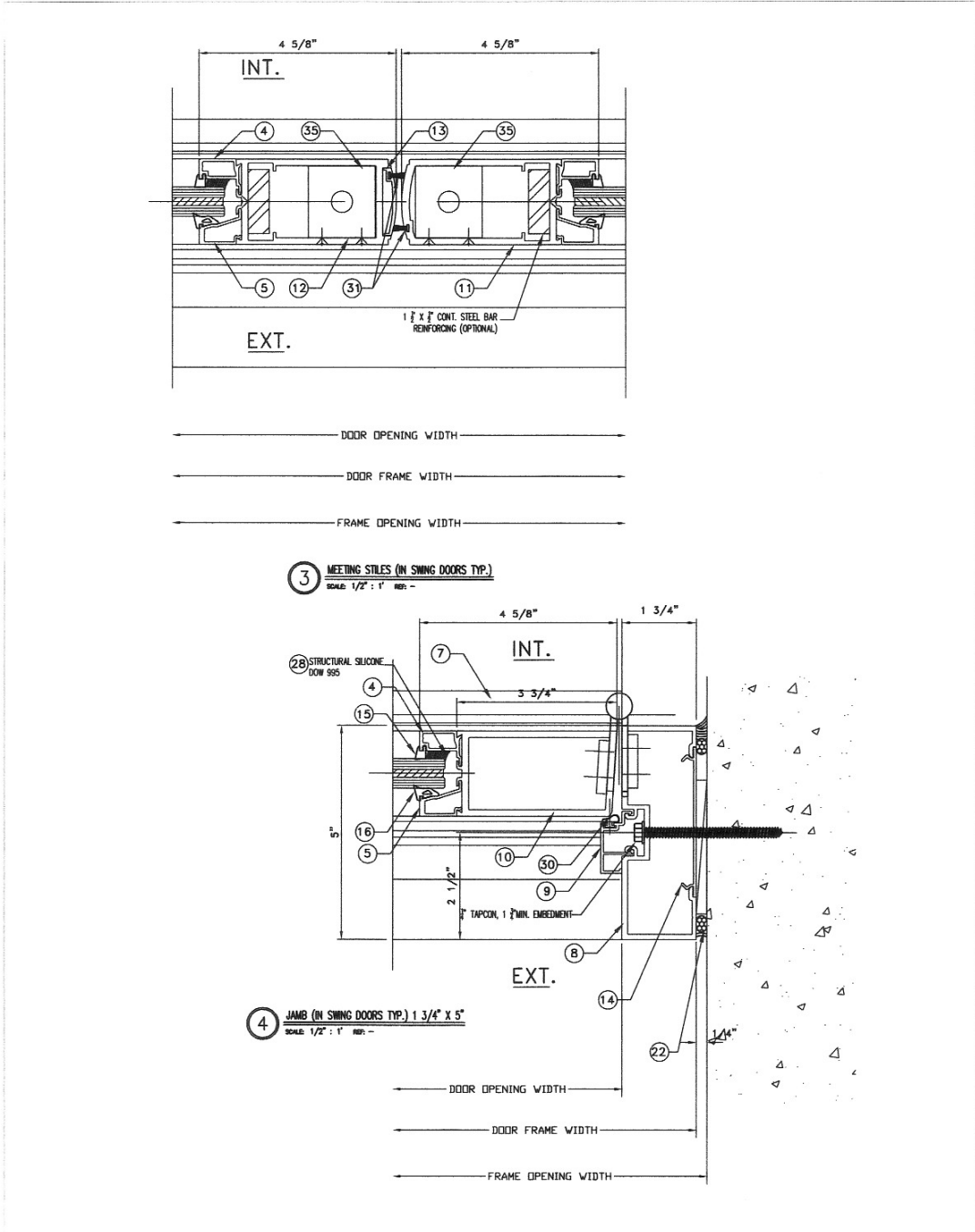
DELTA DOORS

7 5 0 0 N W 6 9 ^{T H} A V E .

Miami, Fl 33166

TEL 305-888-0077 FAX 305-884-3111

e-mail: deltadoors@deltadoors.com www.deltadoors.com



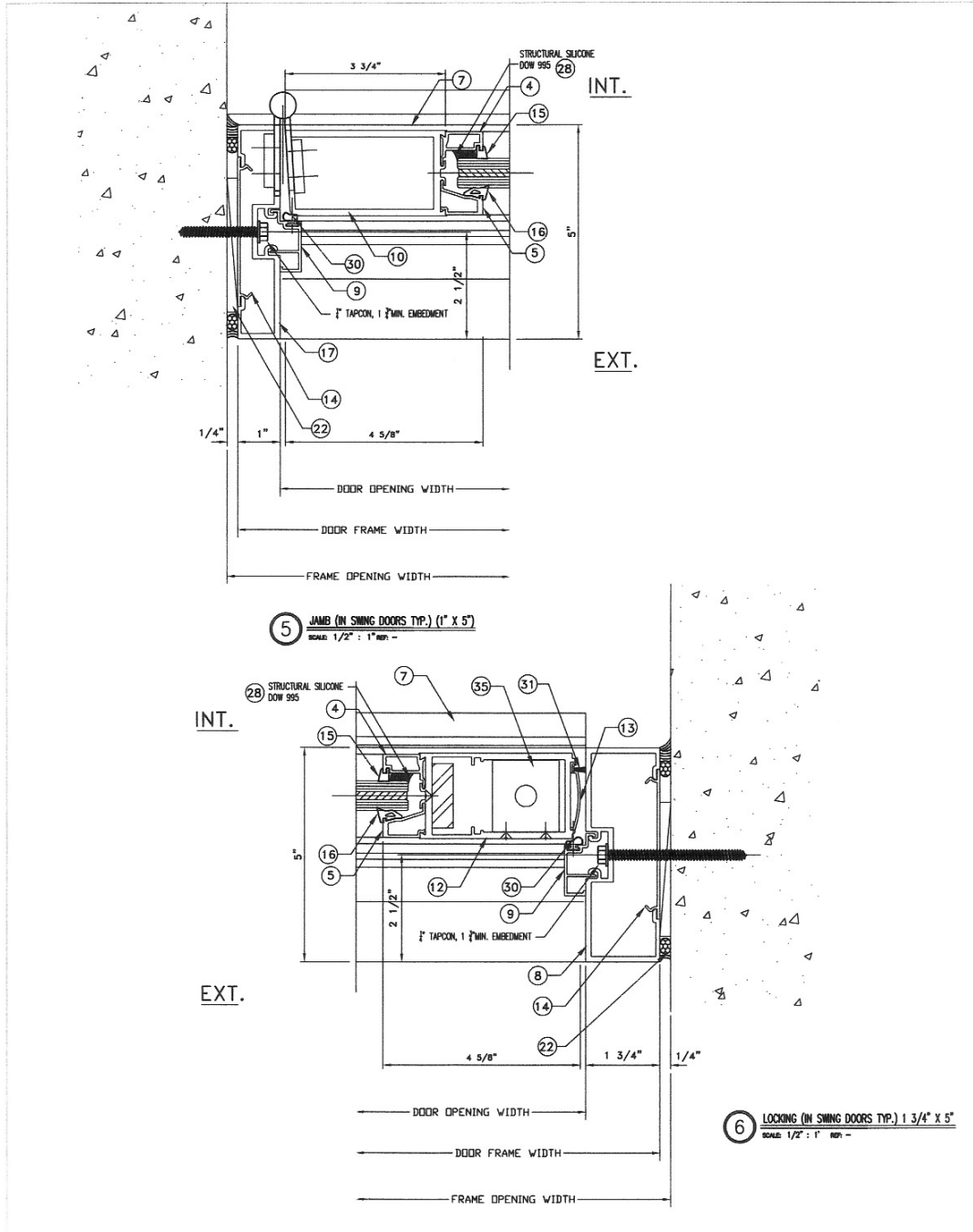
DELTA DOORS

7 5 0 0 N W 6 9 ^{T H} A V E .

Miami, Fl 33166

TEL 305-888-0077 FAX 305-884-3111

e-mail: deltadoors@deltadoors.com www.deltadoors.com







DELTA DOORS

7 5 0 0 N W 6 9 ^{T H} A V E .

Miami, Fl 33166

TEL 305-888-0077 FAX 305-884-3111

e-mail: deltadoors@deltadoors.com www.deltadoors.com

DOOR MATERIAL SCHEDULE			
ITEM	PART	DESCRIPTION	REMARKS
①	DLD-105	DOOR FRAME HEAD	
②	DLD-106	DOOR STOP AT HEAD	
③	DLD-107	DOOR HEAD	
④	DLD-108	GLASS STOP	
⑤	DLD-109	GLASS STOP	
⑥	DLD-110	DOOR SILL	
⑦	DLD-111	THRESHOLD AIR ONLY	
⑧	DLD-124	JAMB	1 3/4" X 5"
⑨	BCE-460	DOOR STOP AT JAMB	
⑩	DLD-114	BEVELED STILE	
⑪	DLD-115	FIXED STILE	
⑫	DLD-116	LOCKED STILE	
⑬	DLD-117	CAP AT LOCKED STILE	
⑭	BCE-475	FLAT FILLER	
⑮	----	GASKET	TR-5399S 70 DUROMETER SILICONE 
⑯	----	GASKET	TR-3235E 70 DUROMETER EPDM 
⑰	DLD-119	JAMB	1" X 5"
⑱	DLD-102	GLAZING STOP	
⑲	DLD-103	FRAME HEAD / SILL	
⑳	DLD-125	GLAZING ADAPTOR	
㉑	DLD-101	POCKET FILLER	
㉒	----	SHIM	1/4" PLASTIC SHIM
㉓	2100	GLAZING TAPE	
㉔	1350	SETTING BLOCK	
㉕	GG-75	INTERIOR SPACER	IMPACT SYS.
㉖	----	ANCHORING SCREWS	1/4" TAPCON 1 3/4" MIN. EMBEDMENT
㉗	----	ASSEMBLY SCREWS	#10 X 5/8" FHSMS
㉘	----	STRUCTURAL SILICONE	DOW 995
㉙	----	4 1/2" X 4" BUTT HINGES	
㉚	BW-75	BULB WEATHERSTRIPPING	.375"H X .270 T-SLOT 
㉛	T4216-K	WEATHERSTRIPPING	ULTRAFAB 
㉜	2222-H	3-POINT LOCK	ADAMS RITE W/KEY CYLINDER & THUMB TURN ● ACTIVE LEAF
㉝	2222-H2	2-POINT LOCK	ADAMS RITE W/KEY CYLINDER & THUMB TURN ● INACTIVE LEAF
㉞	3031	CONCEALED CLOSER	OVERHEAD CONCEALED CLOSER REGENT SERIES 3031
㉟	DH-1	FLUSH BOLT GUIDE	3" LONG ALUMINUM FLUSH BOLT GUIDE
㊱	DH-2	PANEL TRACK	CONCEALED CLOSER PANEL TRACK
㊲	DH-3	CUSTOM STEEL BOLT	1/2" X 5"
㊳	DH-4	SHEAR BLOCK	1 1/2" X 4 11/16" X 1" X 1/8" THK
㊴	DH-5	SHEAR BLOCK	6" LONG
㊵	1490	PANIC DEVICE	DOR-O-MATIC 1490 CONCEALED VERTICAL PANIC DEVICE
㊶	DH-7	SHEAR BLOCK	2 7/16" SHEAR BLOCK AT HEAD
㊷	DLD-100	JAMB/VERT	