

DELTA DOORS

7 5 0 0 N W 6 9 ^{T H} A V E .

Miami, Fl 33166

TEL 305-888-0077 FAX 305-884-3111

e-mail: deltadoors@deltadoors.com www.deltadoors.com

SERIES BAL-350 ALUMINUM OUTSWING ENTRANCE DOORS

DELTA DOORS

7 5 0 0 N W 6 9 ^{T H} A V E .

Miami, Fl 33166

TEL 305-888-0077 FAX 305-884-3111

e-mail: deltadoors@deltadoors.com www.deltadoors.com

TABLE OF CONTENTS

SECTION	PAGE
<u>BALCONY DOORS</u>	
GENERAL NOTES	3-5
BAL-350. TYPICAL ELEVATION	6
HEAD & TRANSOM TYPICAL DETAILS	7
SILL & JAMB TYPICAL DETAILS	8
1" JAMB & FIXED STILE TYPICAL DETAILS	9
1" JAMB AT TRANSOM	10
DOOR MATERIAL SCHEDULE	11

DELTA DOORS

7 5 0 0 N W 6 9 ^{T H} A V E .

Miami, FL 33166

TEL 305-888-0077 FAX 305-884-3111

e-mail: deltadoors@deltadoors.com www.deltadoors.com

Delta Doors has designed one of the most demanding air and water protection products, the BAL-350 Small and Large Missile Balcony Doors, extremely functional, elegant and reliable exterior doors meeting today's Commercial and Hi-Rise Condominium Developers requirements with the highest level of quality and at a competitive price.

BALCONY DOORS BAL-350 LARGE AND SMALL MISSILE IMPACT

Notice of Acceptance Large Missile Impact: NOA No. 05-0110.01

Expires March 24, 2010

Notice of Acceptance Small Missile Impact: NOA No. 05-0902.04

Expires November 3, 2010

PERFORMANCE

Meets all Miami-Dade County, Florida, air, water, structural and impact requirements

Large and Small missile impact test

- Maximum design pressure of +100 psf / -100 psf (large missile impact) and +120 psf / -120 psf (small missile impact)
- Water resistant at 18 psf
- Air Infiltration = 0.27 cfm/sq.ft. at a pressure differential of 6.24 psf
- Forced Entry Resistance: 300 pound concentrated load

STANDARD FEATURES

- Maximum panel size: 42" x 108"
- Heavy commercial class grade
- Maximum Frame Height 120" (including transom)
- 3.75" wide, 2" deep door rails and stiles
- 4 7/16" top rail and 8" bottom rail
- Heavy duty internal corner clips
- 1" x 5" or 1.75" x 5" door frame
- 0.125 nominal wall thickness, door and frame
- 1.5 pair of 4" x 4.5" mortised aluminum butt hinges with non-removable stainless steel hinge pins for doors opening height up to 84"
- 2 pair of 4" x 4.5" mortised aluminum butt hinges with non-removable stainless steel hinge pins for doors opening higher than 84"
- Double rows of weather seals
- Stainless steel 4-point locking system including latch lock, deadbolt lock with shoot-bolts top and bottom
- Solid brass lever handle by Ashland
- Removable construction handle for use during construction
- Removable interlocking glazing beads
- Wet/Dry glazing method

DELTA DOORS

7 5 0 0 N W 6 9 ^{T H} A V E .

Miami, Fl 33166

TEL 305-888-0077 FAX 305-884-3111

e-mail: deltadoors@deltadoors.com www.deltadoors.com

PRODUCT APPLICATIONS

The BAL-350 Balcony/Terrace Door is a high performance door for use in condominiums, lofts, hotels and apartments, and is intended to be installed in punched openings or as a liner frame within other Delta Doors framing or curtain wall systems.

MATERIALS

- Aluminum frame sections should be extruded aluminum AA 6063 T6 alloy
- Glazing materials shall be custom EPDM spacer by Tremco, Dow Corning #995 structural silicone and EPDM wedge by Tremco

Large Missile

Glass: 9/16" laminated impact glass 0.075"
VS02 Vanceva composite interlayer by Solutia

Laminated Glass Composition: • 1/4" heat-strengthened laminated glass •
0.075" VS02 interlayer •
1/4" heat-strengthened glass

Small Missile

Glass: 9/16" laminated impact glass
.090" PVB interlayer by Solutia or DuPont

Laminated Glass Composition:
Exterior Lite: 1/4" heat-strengthened glass .
090" PVB interlayer
Interior Lite: 1/4" tempered glass

Tint of glass available as selected by the architect/owne

FINISHES

Standard aluminum finishes:

- Polycron 500 polyester (white)
- Bronze anodized
- Clear anodized
- Kynar 500 (special order)

OPTIONAL FEATURES

- Concealed overhead closer
- Exposed heavy duty closer
- Applied Muntins

DELTA DOORS

7 5 0 0 N W 6 9 ^{T H} A V E .

Miami, Fl 33166

TEL 305-888-0077 FAX 305-884-3111

e-mail: deltadoors@deltadoors.com www.deltadoors.com

- Std 1" round Push / Pulls Set.
- 3 Point locking system with exterior cylinder and interior thumbturn

INSTALLATION

Delivered pre-assembled and glazed – ready to be placed into opening and attached along the perimeter with installation fasteners

WARRANTY

- One-year standard manufacturer's warranty
- Five-year warranty on Kynar finish
- Five-year glass manufacturer's warranty on laminated glass

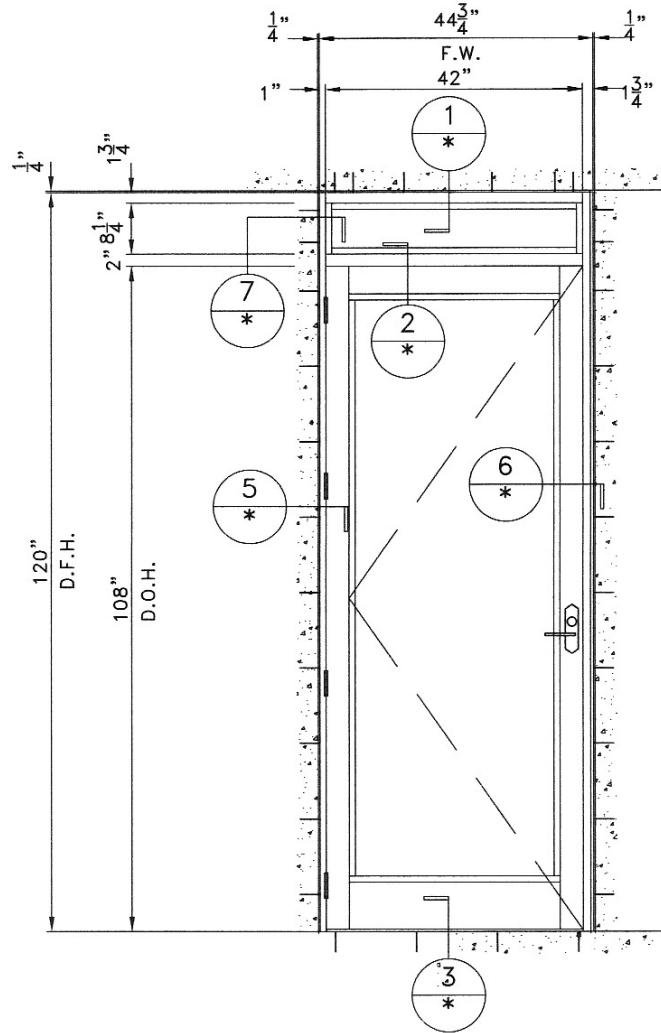
DELTA DOORS

7 5 0 0 N W 6 9 ^{T H} A V E .

Miami, Fl 33166

TEL 305-888-0077 FAX 305-884-3111

e-mail: deltadoors@deltadoors.com www.deltadoors.com



TYPICAL ELEVATION

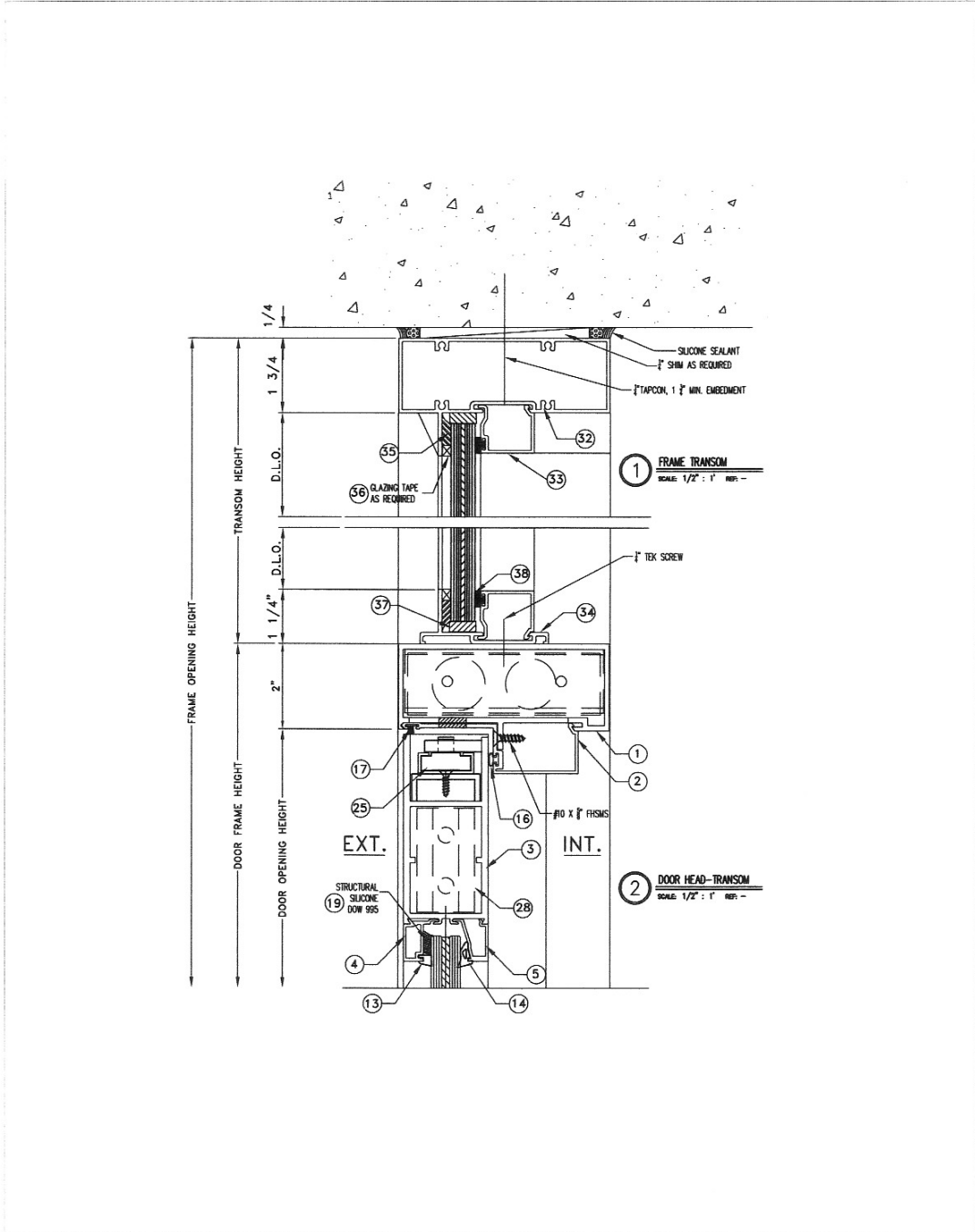
DELTA DOORS

7500 NW 69TH AVE.

Miami, FL 33166

TEL 305-888-0077 FAX 305-884-3111

e-mail: deltadoors@deltadoors.com www.deltadoors.com



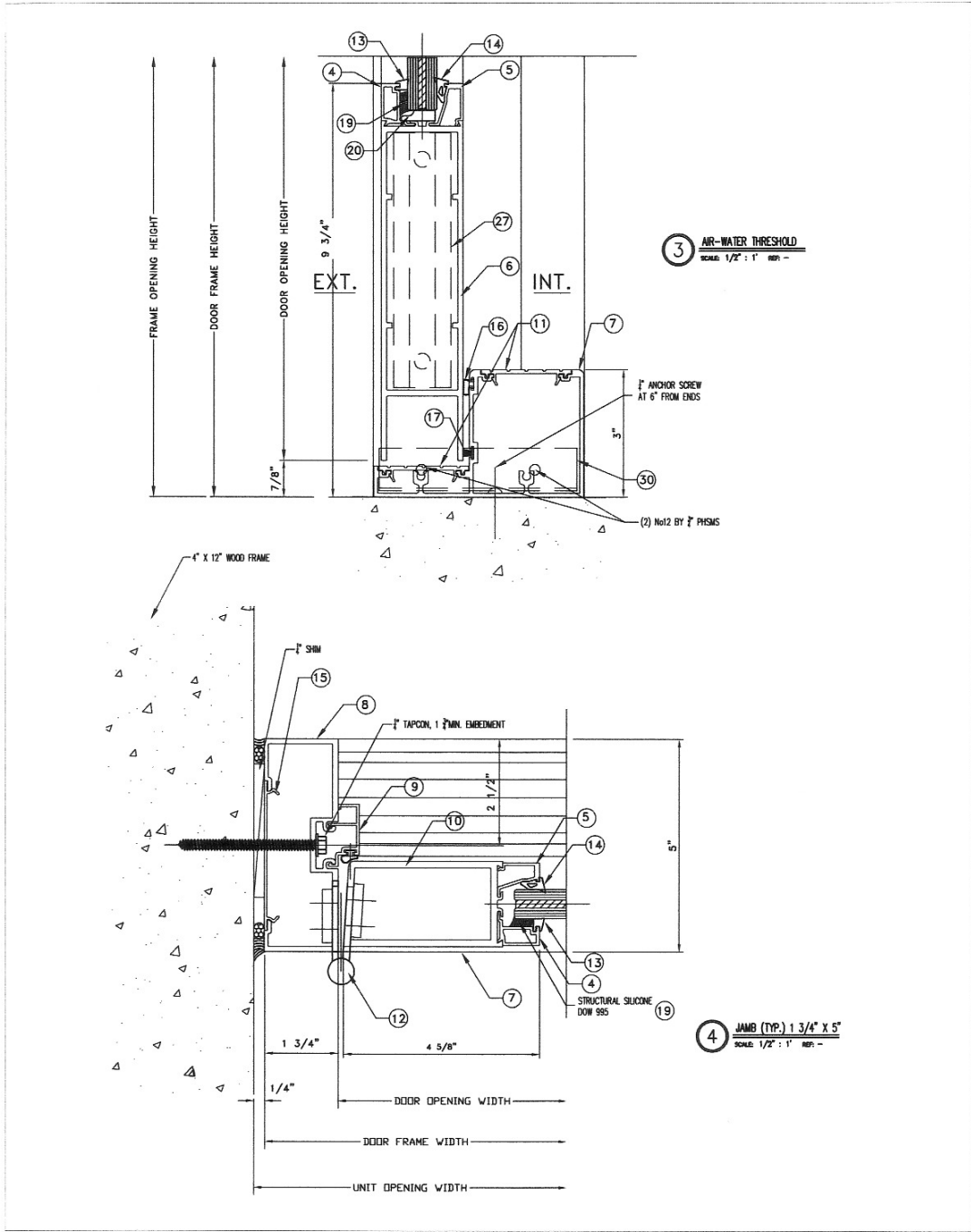
DELTA DOORS

7500 NW 69TH AVE.

Miami, FL 33166

TEL 305-888-0077 FAX 305-884-3111

e-mail: deltadoors@deltadoors.com www.deltadoors.com



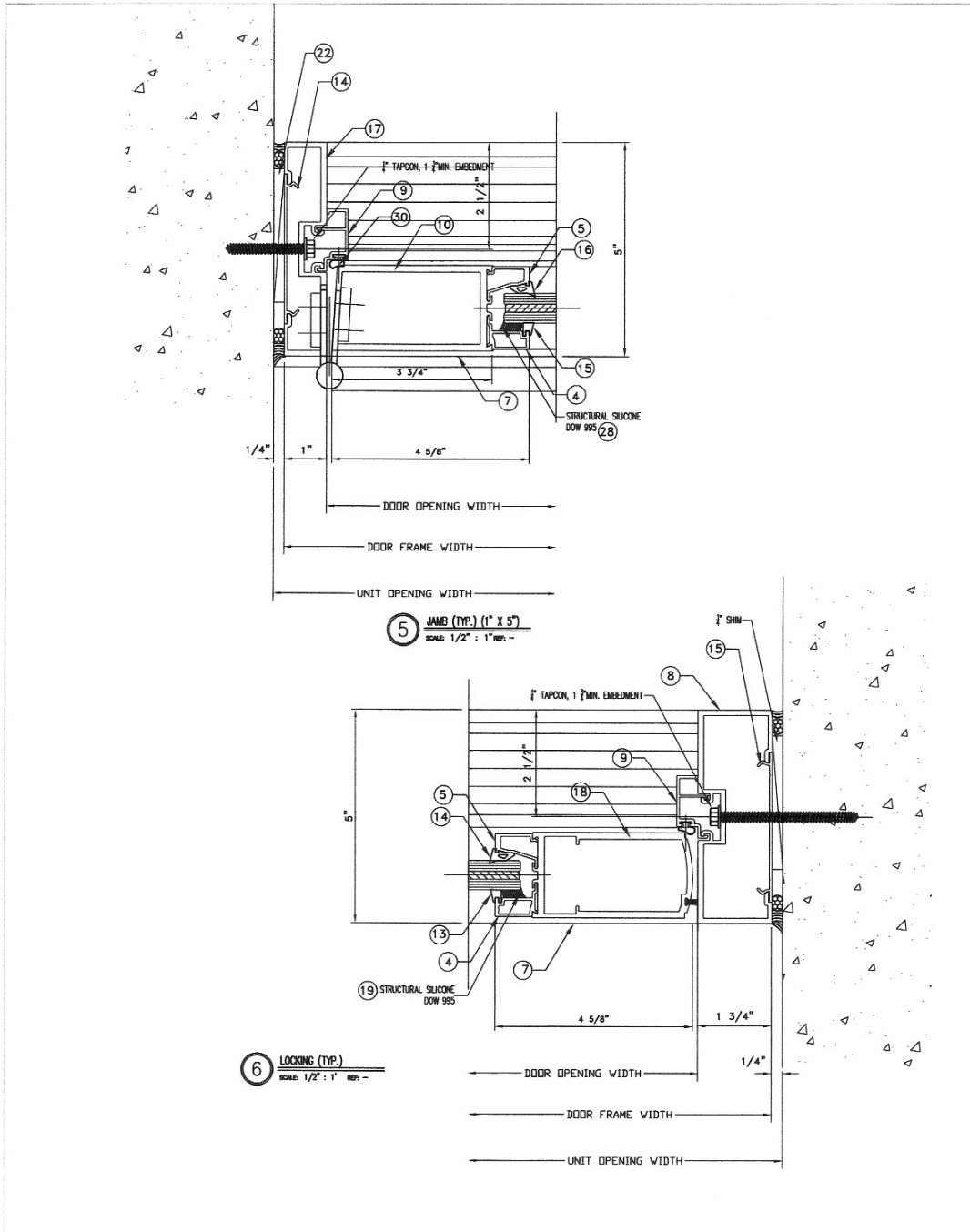
DELTA DOORS

7 5 0 0 N W 6 9 ^{T H} A V E .

Miami, Fl 33166

TEL 305-888-0077 FAX 305-884-3111

e-mail: deltadoors@deltadoors.com www.deltadoors.com



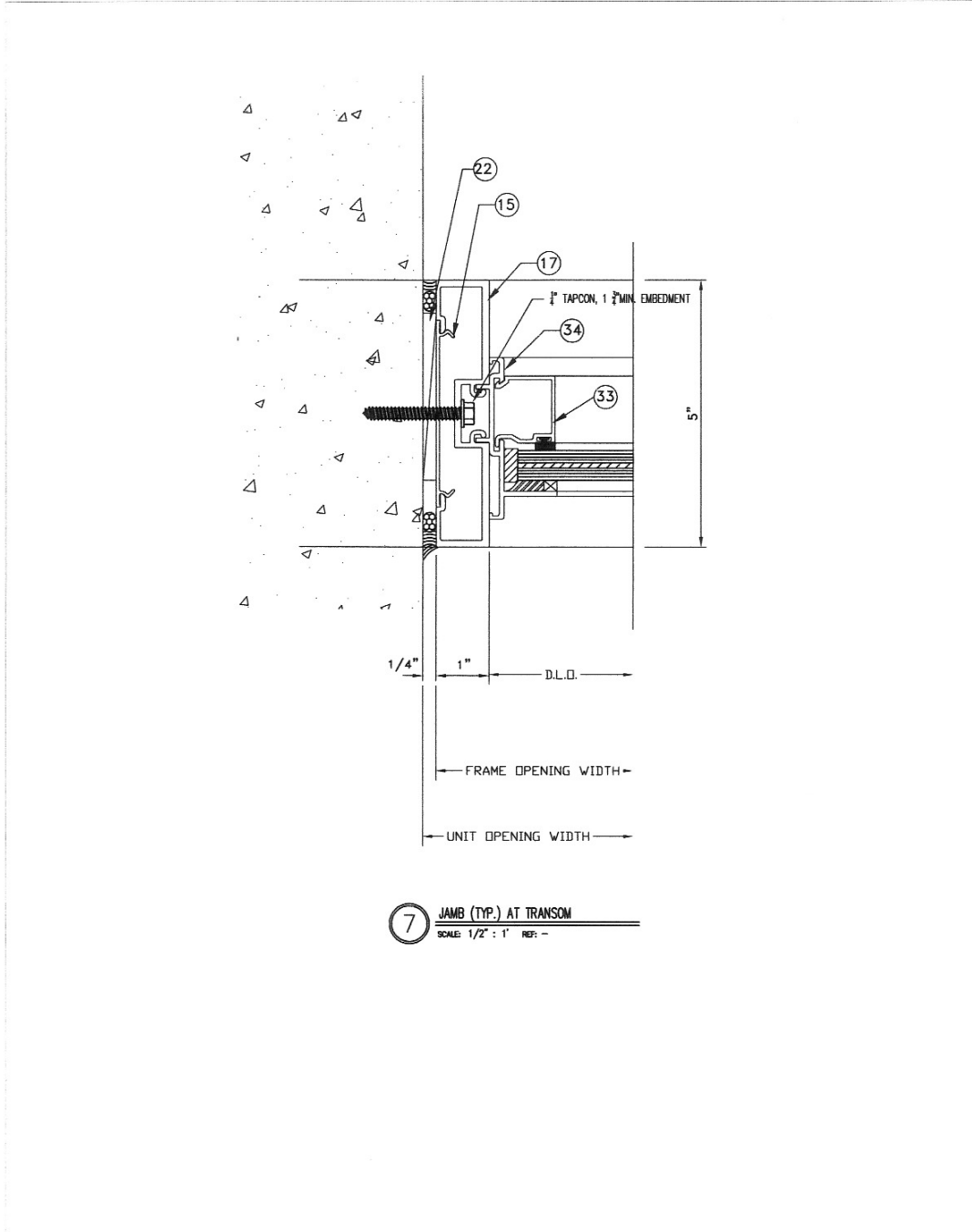
DELTA DOORS

7 5 0 0 N W 6 9 ^{T H} A V E .

Miami, Fl 33166

TEL 305-888-0077 FAX 305-884-3111

e-mail: deltadoors@deltadoors.com www.deltadoors.com



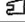



DELTA DOORS

7 5 0 0 N W 6 9 ^{T H} A V E .

Miami, Fl 33166

TEL 305-888-0077 FAX 305-884-3111

e-mail: deltadoors@deltadoors.com www.deltadoors.com

DOOR MATERIAL SCHEDULE			
ITEM	PART	DESCRIPTION	REMARKS
①	DLD-105	DOOR FRAME HEAD	
②	DLD-106	DOOR STOP AT HEAD	
③	DLD-107M	DOOR HEAD	
④	DLD-108M	GLASS STOP	
⑤	DLD-109M	GLASS STOP	
⑥	DLD-110M	DOOR SILL	
⑦	DLD-122	THRESHOLD	
⑧	DLD-124	JAMB	1 3/4" X 5"
⑨	BCE-460	DOOR STOP AT JAMB	
⑩	DLD-114	BEVELED STILE	
⑪	DLD-123	FLAT FILLER	
⑫	----	4 1/2" X 4" BUTT HINGES	
⑬	----	GASKET	TR-5399S 70 DUROMETER SILICONE 
⑭	----	GASKET	TR-3235E 70 DUROMETER EPDM 
⑮	BCE-475	FLAT FILLER	
⑯	BW-75	BULB WEATHERSTRIPPING	.375"H X .270 T-SLOT 
⑰	T4216-K	WEATHERSTRIPPING	
⑱	DLD-115	FIXED STILE	
⑲	----	STRUCTURAL SILICONE	DOW995
⑳	1350	SETTING BLOCK	
㉑	----	ASSAMBLY SCREW	#10 X 5/8" FHSMS
㉒	----	ANCHORING SCREWS	1/4" TAPCON 1 3/4" MIN. EMBEDMENT
㉓	----	SHIM	1/4" PLASTIC SHIM
㉔	DLD-119	JAMB	1" X 5" (NOT USED)
㉕	DH-2	PANEL TRACK	CONCEALED CLOSER PANEL TRACK
㉖	DH-4	SHEAR BLOCK	1 1/2" X 4 11/16" X 1" X 1/8" THK
㉗	DH-5	SHEAR BLOCK	6" LG AT DOOR SILL
㉘	DH-7	SHEAR BLOCK	2 7/16" LG AT DOOR HEAD
㉙	3031	CONCEALED CLOSER	OVERHEAD CONCEALED CLOSER REGENT 3031
㉚	DH-6	END CAP	4 11/16" X 1 3/8" X 1" X 1/16"THK ALUMINUM ANGLE
㉛	BCE-431	POCKET ELIMINATOR	3" HT AT BOTTOM AND 1" HT AT TOP
㉜	DLD-103	FRAME HEAD / SILL	
㉝	DLD-102	GLAZING STOP	
㉞	DLD-125	GLAZING ADAPTOR	
㉟	----	STRUCTURAL SILICONE	DOW 995
㊱	2100	GLAZING TAPE	
㊲	1350	SETTING BLOCK	
㊳	----	INTERIOR SPACER	IMPACT SYS.